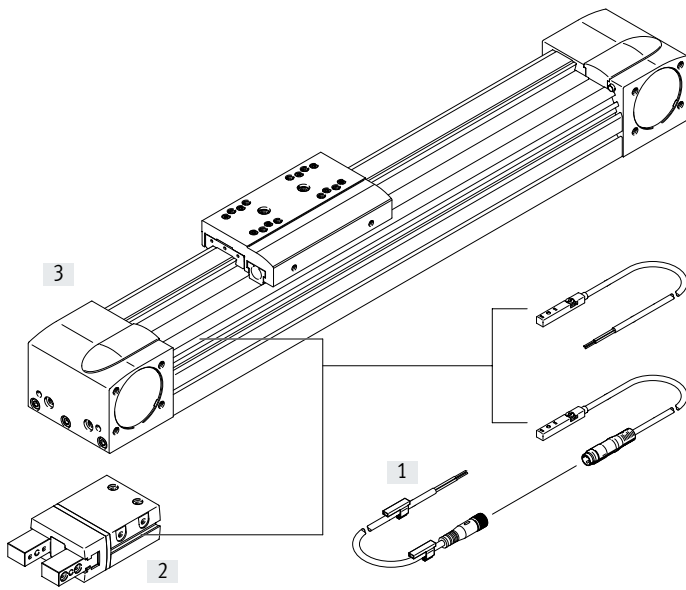


## Proximity switches SIES-8M, inductive for T-slot

**FESTO**



Peripherals overview and type codes



Mounting components and accessories		→ Page/Internet
[1]	Connecting cable NEBU-M8...3	6
[2]	Gripper with T-slot e.g. parallel gripper DHPS	gripper
[3]	Electric axis EGC	egc

001	Series	
SIE		

002	Design type	
S	Special design	

003	Design	
8M	For T-slot	

004	Switching input/output	
P	PNP	
N	NPN	

005	Switching element function	
O	N/C contact	
S	N/O contact	

006	Rated operating voltage	
24V	24 V	

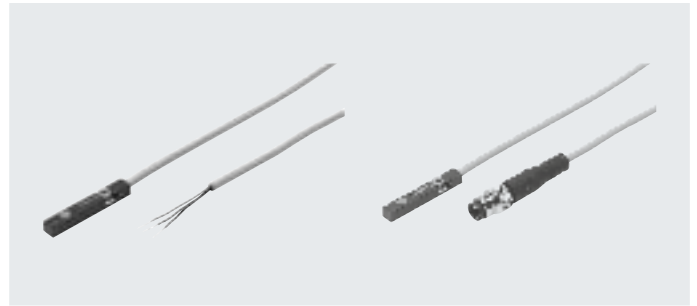
007	Cable characteristic	
K	Standard/suitable for energy chains	

008	Cable length [m]	
0.3	0.3	
2.5	2.5	
5	5	
7.5	7.5	
10	10	

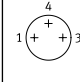
009	Electrical connection	
OE	Open end	
M8D	Cable with M8x1 plug, 3-pin, rotatable thread	

## Data sheet

- Inductive proximity switch for T-slot, insertable from above
- Suitable for position sensing for electric axes EGC and grippers with T-slot
- 2 LEDs for improved visibility regardless of the side from which the axis is approaching the sensor



General technical data	
Design	For T-slot
Size	Slot 8
Type of mounting	Screw-clamped, inserted in the slot from above, flush with T-slot
Outlet direction of connection	In-line
Conforms to standard	EN 60947-5-2
Cable characteristic	Standard + cable chain
Cable test conditions	Energy chain: 5 million cycles, bending radius 75 mm Resistance to bending: to Festo standard; test conditions on request
Pollution degree	3

Electrical data		SIES-8M-...-OE	SIES-8M-...-M8D
Switching output		PNP NPN	
Switching element function		N/C contact N/O contact	
Max. switching frequency	[Hz]	4500	
Switching status indication		Yellow LED	
Electrical connection 1			
Connection type		Cable	Cable with plug
Connection technology		Open end	M8x1, A-coded to EN 61076-2-104
Poles/wires		3	
Type of mounting		-	Screw-type lock
Port pattern		-	
Operating voltage range DC	[V]	10 ... 30	
Insulation voltage	[V]	50	
Max. output current	[mA]	150	
Surge resistance	[kV]	0.8	
No-load supply current	[mA]	≤ 10	
Short circuit current rating		Pulsed	
Reverse polarity protection		For all electrical connections	
Degree of protection		IP65 IP67	

Sensors		
Rated operating distance $S_n$	[mm]	1.5
Repetition accuracy under constant conditions	[mm]	≤ 0.05 approach from the side ≤ 0.02 axial approach
Reduction factors		Aluminium = 0.62 Stainless steel V2A = 0.95 Copper = 0.6 Brass = 0.72 Steel St 37 = 1.0

## Data sheet

Operating and environmental conditions		
Ambient temperature	[°C]	-25 ... +70
Ambient temperature with flexible cable installation	[°C]	-5 ... +70
CE marking (see declaration of conformity)		To EU EMC Directive <sup>1)</sup>
KC mark		KC EMC
Certification		RCM compliance mark
		cUL us listed (OL)

1) For information about the area of use, see the EC declaration of conformity at: [www.festo.com/sp](http://www.festo.com/sp) → Certificates.  
If the devices are subject to usage restrictions in residential, commercial or light-industrial environments, further measures for the reduction of the emitted interference may be necessary.

Materials	SIES-8M-...-OE	SIES-8M-...-M8D
	Housing	-
	PA	
	PUR	
	High-alloy stainless steel	
Cable sheath	TPE-U(PU)	
Note on materials	Free of copper and PTFE	
	RoHS-compliant	

Terminal allocation			
Cable		Plug	
PNP, N/O	NPN, N/O	PNP, N/O	NPN, N/O
PNP, N/C	NPN, N/C	PNP, N/C	NPN, N/C

Wire colours			
BN = Brown	BK = Black	BU = Blue	

**Dimensions** Download CAD data → [www.festo.com](http://www.festo.com)

SIES-8M-...-OE

- [1] 3-wire cable (3x0.14 mm<sup>2</sup>)
- [3] Clamping element, max. tightening torque 0.6 Nm
- [4] Yellow LED for switching status

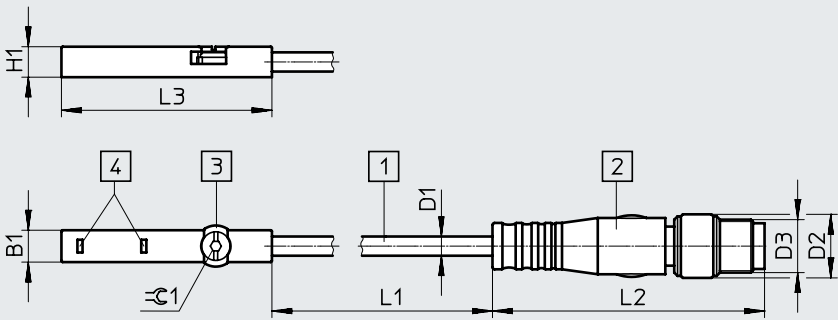
	B1	H1	L3	Ø1
SIES-8M-...-24V-K-7.5-OE	5	4.6	31.8	1.5

Data sheet

Dimensions

SIES-8M-...-M8D

Download CAD data → [www.festo.com](http://www.festo.com)



- [1] 3-wire cable (3x0.14 mm<sup>2</sup>)
- [2] 3-pin plug, pin allocation to DIN EN 60947-5-2
- [3] Clamping element, max. tightening torque 0.3 Nm
- [4] Yellow LED for switching status

	B1	D1 ∅	D2 ∅	D3	H1	L1	L2	L3	⊕ 1
SIES-8M-...-0.3-M8D	5	2.9	9.6	M8x1	4.6	300 <sup>+50</sup>	41.1	31.8	1.5
SIES-8M-...-2.5-M8D						2500 <sup>+50</sup>			
SIES-8M-...-5.0-M8D						5000 <sup>+50</sup>			
SIES-8M-...-7.5-M8D						7500 <sup>+75</sup>			
SIES-8M-...-10-M8D						10000 <sup>+100</sup>			

Ordering data

Size	S <sub>n</sub> <sup>1)</sup> [mm]	Type of installation	Switching output	Switching element function	Cable length [m]	Part no.	Type
<b>Cable</b>							
	1.5	Flush	PNP	N/O contact	7.5	551386	SIES-8M-PS-24V-K-7.5-OE
				N/C contact	7.5	551391	SIES-8M-PO-24V-K-7.5-OE
			NPN	N/O contact	7.5	551396	SIES-8M-NS-24V-K-7.5-OE
				N/C contact	7.5	551401	SIES-8M-NO-24V-K-7.5-OE
<b>Cable with plug</b>							
	1.5	Flush	PNP	N/O contact	0.3	551387	SIES-8M-PS-24V-K-0.3-M8D
					2.5	551388	SIES-8M-PS-24V-K-2.5-M8D
					5.0	551389	SIES-8M-PS-24V-K-5.0-M8D
					10	551390	SIES-8M-PS-24V-K-10-M8D
				N/C contact	0.3	551392	SIES-8M-PO-24V-K-0.3-M8D
					2.5	551393	SIES-8M-PO-24V-K-2.5-M8D
					5.0	551394	SIES-8M-PO-24V-K-5.0-M8D
					10	551395	SIES-8M-PO-24V-K-10-M8D
			NPN	N/O contact	0.3	551397	SIES-8M-NS-24V-K-0.3-M8D
					2.5	551398	SIES-8M-NS-24V-K-2.5-M8D
					5.0	551399	SIES-8M-NS-24V-K-5.0-M8D
					10	551400	SIES-8M-NS-24V-K-10-M8D
				N/C contact	0.3	551402	SIES-8M-NO-24V-K-0.3-M8D
					2.5	551403	SIES-8M-NO-24V-K-2.5-M8D
					5.0	551404	SIES-8M-NO-24V-K-5.0-M8D
					10	551405	SIES-8M-NO-24V-K-10-M8D

1) S<sub>n</sub> Rated operating distance [mm]

## Accessories

### Sensor bracket SIEZ-8M

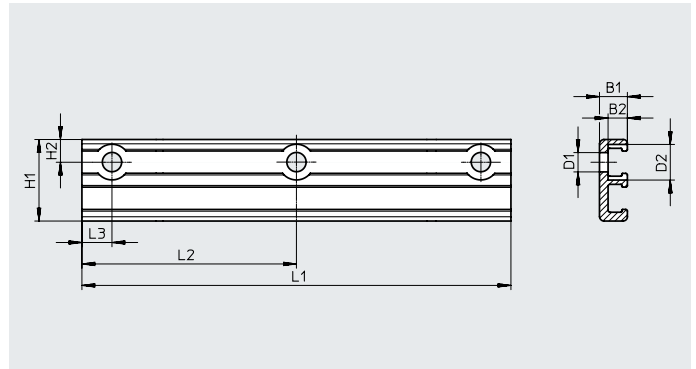
For mounting proximity switches SIEZ-8M on any housing

Material:

Wrought aluminium alloy, steel, thermoplastic polyurethane elastomer

Note on materials:

RoHS-compliant




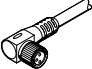
#### Dimensions and ordering data

Type	L1	L2	L3	D1 ∅	D2 ∅	H1	H2	B1	B2	Part no.	Type
SIEZ-8M-200	200	–	7	4.5	8.3	19	5.3	6.5	4.5	551406	SIEZ-8M-200
SIEZ-8M-400	400	200	7	4.5	8.3	19	5.3	6.5	4.5	551407	SIEZ-8M-400

#### Ordering data – Slot cover for T-slot

	Mounting	Length	Part no.	Type
	Insertable	2x 0.5 m	563360	ABP-5-S1

#### Ordering data – Connecting cables M8x1

	Electrical connection, left	Electrical connection, right	Cable length [m]	Part no.	Data sheets → Internet: nebu Type
	Straight socket, M8x1, 3-pin	Cable, open end, 3-wire	2.5	541333	NEBU-M8G3-K-2.5-LE3
			5	541334	NEBU-M8G3-K-5-LE3
			10	541332	NEBU-M8G3-K-10-LE3
	Angled socket, M8x1, 3-pin	Cable, open end, 3-wire	2.5	541338	NEBU-M8W3-K-2.5-LE3
			5	541341	NEBU-M8W3-K-5-LE3
			10	541335	NEBU-M8W3-K-10-LE3