

# Proximity switch for T-slot



Festo Core Range  
Solves the majority of your automation tasks

With the Festo Core Range, we have selected the most important products and functions from our broad product catalogue, and added the quickest delivery.

Worldwide: Quickest delivery – wherever, whenever  
Simply good: Expected high Festo quality  
Fast: Easy and fast to select

The Core Range offers you the best value for your automation tasks.



## Product range overview

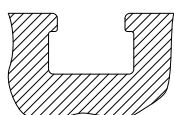
Design	Type of mounting	Measuring principle	Type	Operating voltage range	Switching output	Switching element function	→ Page
<b>For T-slot</b>	<b>Standard</b>						
	Screw-clamped, insertable in the slot from above	Magnetic Hall	SDBT-MSX	10 ... 30 V DC	PNP/NPN, switchable	N/O / N/C contact, switchable	–
	Insertable in the slot from above, flush with the cylinder profile	Magneto-resistive	SMT-8M-A	5 ... 30 V DC	PNP	N/O contact	7
					NPN	N/O contact	
					Non-contacting, 2-wire	N/O contact	
	Insertable in the slot from above, flush with the cylinder profile	Magnetic reed	SME-8M	5 ... 30 V AC/DC	Contacting, bipolar	N/O contact	–
						N/C contact	
	Insertable in the slot lengthwise, flush with the cylinder profile	Magnetic reed	SME-8	12 ... 30 V AC/DC	Contacting, bipolar	N/O contact	–
				3 ... 230 V AC/DC		N/C contact	
	Insertable in the slot lengthwise	Magneto-resistive	SMT-8G	10 ... 30 V DC	PNP, NPN	N/O contact	–
		Magneto-resistive	SMT-8-SL	10 ... 30 V DC	PNP	N/O contact	–
		Magnetic reed	SME-8-SL	10 ... 30 V AC/DC	Contacting, bipolar	N/O contact	–
	Insertable in the slot from above	Magnetic reed	SME-8-FM	10 ... 30 V AC/DC	Contacting, bipolar	N/O contact	–
	With accessories	Magneto-resistive	SMT-8E	10 ... 30 V DC	PNP	N/O contact	–
					NPN		
		Magnetic reed	SME-8E	12 ... 30 V DC	Contacting, bipolar	N/O contact	–
				3 ... 250 V DC			
	3 ... 230 V AC						
	<b>Corrosion-resistant</b>						
	Insertable in the slot from above, flush with the cylinder profile	Magneto-resistive	CRSMT-8M	5 ... 30 V DC	PNP	N/O contact	–
	<b>Welding-field-resistant</b>						
	Insertable in the slot from above, screw-clamped	Magneto-resistive	SDBT-BSW	10 ... 30 V DC	PNP	N/O contact	–
					NPN		
					Non-contacting, 2-wire		
	With accessories	Magneto-inductive	SMT-8E	10 ... 30 V DC	PNP	N/O contact	–
					NPN		
	<b>Heat-resistant up to 120°C</b>						
Insertable in the slot lengthwise, flush with the cylinder profile	Magnetic reed	SME-8-...S6	0 ... 30 V AC/DC	Contacting, bipolar	N/O contact	–	
With accessories	Magnetic reed	SME-8E-...S6	0 ... 30 V DC	Contacting	N/O contact	–	
			0 ... 30 V AC				
<b>To EU Explosion Protection Directive (ATEX)</b>							
Insertable in the slot from above, screw-clamped	Magneto-resistive	SDBT-MS-...EX6	8.2 V DC	NAMUR	NAMUR	–	

## Product range overview

Design	Type of mounting	Measuring principle	Type	Operating voltage range	Switching output	Switching element function	→ Page
For C-slot	<b>Standard</b>						
	Insertable in the slot from above, flush with the cylinder profile	Magneto-resistive	SMT-10M	10 ... 30 V DC	PNP	N/O contact	C-slot
					NPN		
					Non-contacting, 2-wire		
	Insertable in the slot lengthwise	Magnetic reed	SME-10M	5 ... 30 V AC/DC	Contacting, bipolar	N/O contact	
Magneto-resistive		SMT-10G	10 ... 30 V DC	PNP	N/O contact		
	Magnetic reed	SME-10	12 ... 27 V AC/DC	Contacting	N/O contact		

**T-slot switches can be used for drives with T-slot**

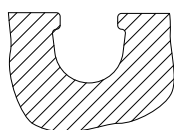
## Exceptions



- DFM-B: SMT0-8E, SMTSO-8E, SME0-8E and SMP0-8E cannot be used
- DHDS: SME-8M can only be used on diameter  $\varnothing$  50
- DHPS: SME-8M can only be used on  $\varnothing$  20 ... 35
- HGDD-63-A: SMT-8M-A cannot be used
- HGPT-B: only SMT-8G can be used from size 40 and upwards
- SDBT-BSW- ... -PU/NU can only be used on a limited number of drive series. Page → 53

**C-slot switches can be used for drives with C-slot**

## Exceptions



- ADVC  $\varnothing$  100: SMT-10M and SME-10M cannot be used (ADVC has a T-slot and C-slot)
- DSM/DSM-B-6/8/10: SME-10M cannot be used
- DSM/DSM-B-10/16: SMT-10M cannot be used
- HGPT-B: only SMT-10G can be used for sizes up to and including size 35

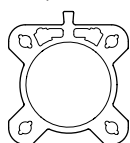
**For drives with sensor rail: these are available with 2 cylinder barrel contours**

Only T-slot switches CRSMT-8M, SMT-8M-A and SDBT-MS- ... -EX6 can be used, and only with the identified profile.

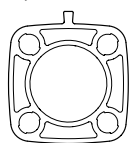
CRSMT-8M and SMT-8M-A can be used for all diameters; SDBT-MS- ... -EX6 cannot be used for diameters 40 and 50.

Example: DSBF

Example: CDC



Suitable



Not suitable



## Peripherals overview

Mounting components and accessories		→ Page	Mounting components and accessories		→ Page
<b>Proximity switches</b>			<b>Mounting kits and accessories</b>		
[1]	SMT-8M-A-..., with cable	7	[4]	Mounting kit SMBR	14
			[5]	Mounting kit CRSMB, corrosion-resistant	14
			[6]	Mounting kit SMB-8-FENG	15
			[7]	Sensor bracket DASP-M4-...	15
			[8]	Mounting kit SMB-8-C	16
			[9]	Sensor tester SM-TEST-1	17
<b>Connecting cables</b>			<b>Drives</b>		
[2]	NEBU-M...G...	17	[10]	Drives with T-slot	-
[3]	NEBU-M...W...	17	[11]	Round cylinders	-
			[12]	Standards-based cylinders DSBC	-
			[13]	Drives with tie or mounting rod	-
			[14]	Standards-based cylinders DSBF	-

## Type codes

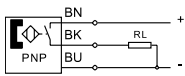
<b>001</b>	<b>Series</b>	
<b>SMT</b>	Proximity sensor	
<b>002</b>	<b>Design type</b>	
<b>8</b>	For T-slot	
<b>003</b>	<b>Sensor version</b>	
<b>M</b>	Inserted in the slot from above	
<b>004</b>	<b>Design</b>	
<b>A</b>	Short	
<b>005</b>	<b>Switching output</b>	
<b>NO</b>	3-wire N/C contact NPN	
<b>NS</b>	3-wire NPN N/O contact	
<b>PNS</b>	PNP/NPN, switchable	
<b>PO</b>	3-wire PNP N/C contact	
<b>PS</b>	3-wire PNP N/O contact	
<b>PSO</b>	PNP N/C or N/O contact, switchable	
<b>ZS</b>	2-wire PNP N/O contact	
<b>006</b>	<b>Rated operating voltage</b>	
<b>24V</b>	24 V	

<b>007</b>	<b>Cable characteristic</b>	
<b>E</b>	Suitable for energy chains/robot applications	
<b>008</b>	<b>Cable length [m]</b>	
	0.1 ... 30 m	
<b>0,3</b>	0.3 m	
<b>2,5</b>	2.5 m	
<b>5,0</b>	5 m	
<b>7,5</b>	7.5 m	
<b>009</b>	<b>Cable identification</b>	
	With label holder	
<b>N</b>	Without label holder	
<b>010</b>	<b>Connection technology</b>	
<b>OE</b>	Open end	
<b>M8</b>	M8, snap-on flange	
<b>M8D</b>	M8, rotatable thread	
<b>M12</b>	M12, rotatable thread	
<b>011</b>	<b>EU certification</b>	
	None	
<b>EX2</b>	II 3GD	

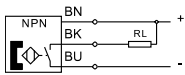
## Data sheet – Magneto-resistive

## Function

PNP, N/O contact, with cable



NPN, N/O contact, with cable



- Magneto-resistive measuring principle
- Insertable in the slot from above, does not protrude over the cylinder profile
- Variant Ex2 for use in potentially explosive areas in zones 2 and 22



## General technical data

Design	For T-slot
Mounting position	Optional
Based on standard	EN 60947-5-2
Certification	c UL us listed (OL) RCM compliance mark
KC mark	KC EMC
CE marking (see declaration of conformity)	To EU EMC Directive To EU RoHS Directive
Note on materials	Cable halogen-free, oil-resistant RoHS-compliant, free of copper and PTFE

## Input signal/measuring element

Measured variable	Position
Measuring principle	Magneto-resistive
Ambient temperature [°C]	-40 ... +85

## Switching output

Type	PS	NS	PO	NO	ZS	PNS	PSO
Switching output	PNP	NPN	PNP	NPN	Non-contacting, 2-wire	PNP, NPN, switchable	PNP
Switching element function	N/O contact	N/O contact	N/C contact	N/C contact	N/O contact	N/O contact	N/C contact, N/O contact, switchable
Repetition accuracy [mm]	±0.1				0.2	±0.1	
Switch-on time [ms]	≤ 1.3				≤ 1.0		
Switch-off time [ms]	≤ 1.4				≤ 1.0		
Max. output current [mA]	100 <sup>1)</sup>	100 <sup>1)</sup>	100 <sup>1)</sup>	100	80 <sup>1)</sup>	100	100
Max. output current in mounting kits [mA]	100				80 <sup>1)</sup>	100	
Max. switching capacity DC [W]	2.8	2.8	2.8	2.8	1.9	2.7	2.7
Max. switching capacity DC in mounting kits [W]	2.8 <sup>2)</sup>	2.8 <sup>2)</sup>	2.8 <sup>2)</sup>	2.8	1.5 <sup>2)</sup>	2.7	2.7
Max. switching frequency [Hz]	180						
Voltage drop <sup>1)</sup> [V]	< 1.5				< 6	< 2.5	

1) Variant ...PS/NS/PO...-Ex2: max. output current in mounting kits 80 mA, T<sub>a</sub> 70°C  
Variant ...ZS...-Ex2: max. output current in mounting kits 50 mA, T<sub>a</sub> 70°C

2) Variant ...PS/NS/PO...-Ex2: max. switching capacity 2.2 W  
Variant ...ZS...-Ex2: max. switching capacity 1.2 W

## Output, additional data

Short circuit protection	Yes
Overload protection	Present

## Data sheet – Magneto-resistive

<b>Electronics</b>					
Type		PS, NS, PO, NO, ZS	PNS, PSO	Ex2	
Operating voltage range	[V DC]	5 ... 30	7 ... 30	5 ... 30	
Rated operating voltage	[V DC]	24			
Reverse polarity protection		For all electrical connections			
<b>Electromechanics</b>					
Electrical connection		M8	M8D	M12	OE Ex2
Connection type		Cable with plug			Cable
Connection technology		Open end	M8x1, A-coded to EN 61076-2-104	M12x1, A-coded to EN 61076-2-101	Open end M8x1, A-coded to EN 61076-2-104
Number of pins/wires		3			2
Type of mounting		–	Screw-type lock	–	–
Outlet direction of connection		In-line			
Cable test conditions		Cable chain: 5 million cycles, bending radius 28 mm			
		Torsional resistance: > 300,000 cycles, ±270°/0.1 m			
		Resistance to bending: to Festo standard; test conditions on request			
Cable length	[m]	0.1 ... 30			
Cable characteristic		Cable chain + robot			
Information on materials: cable sheath		TPE-U(PUR)			
Cable sheath colour		Grey			
<b>Mechanics</b>					
Electrical connection		M8, M8D, M12			OE
Type of mounting		Screw-clamped, insertable in the slot from above			
Max. tightening torque	[Nm]	0.6			
Housing		black			
		PA-reinforced			
		High-alloy stainless steel			
		Nickel-plated brass			–

## Data sheet – Magneto-resistive

Display/operation	PS, NS, PO, NO, ZS	PNS	PSO
Switching status indication	Yellow LED	Yellow LED (for PNP) / white LED (for NPN)	Yellow LED (for N/O contact) / white LED (for N/C contact)
Function reserve indication	Orange LED	-	

Immission/emission	
Ambient temperature with flexible cable installation [°C]	-20 ... +85
Degree of protection	IP65, IP68, IP69K

ATEX	
SMT-8M-A-...	Ex2
ATEX category for gas	II 3G
Type of ignition protection for gas	Ex nA IIC T4 X Gc
ATEX category for dust	II 3D
Type of ignition protection for dust	Ex tc IIIC T120°C X Dc
Explosion-proof ambient temperature	-40°C ≤ Ta ≤ +70°C
Explosion prevention and protection	Zone 2 (ATEX)
	Zone 22 (ATEX)
CE marking (see declaration of conformity)	To EU Explosion Protection Directive (ATEX)

## Pin allocation to EN 60947-5-2

M8x1, 2-pin  
N/O contact

	Pin	Wire colour	Allocation
	1	Brown	+
	4	Black	-

M12x1, 2-pin  
N/O contact

	Pin	Wire colour	Allocation
	1	Brown	+
	4	Black	-

## Pin allocation to EN 60947-5-2

M8x1, 3-pin  
N/O contact / N/C contact

	Pin	Wire colour	Allocation
	1	Brown	+
	3	Blue	-
	4	Black	Output

M12x1, 3-pin  
N/O contact

	Pin	Wire colour	Allocation
	1	Brown	+
	3	Blue	-
	4	Black	Output

## Pin allocation to EN 60947-5-2

M12x1, 3-pin  
N/C contact

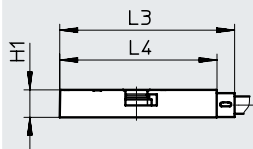
	Pin	Wire colour	Allocation
	1	Brown	+
	3	Blue	-
	2	White	Output

## Data sheet – Magneto-resistive

### Dimensions

Download CAD data → [www.festo.com](http://www.festo.com)

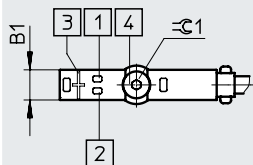
SMT8-M-A-24V-E-... (PS, NS, PO, NO, ZS)



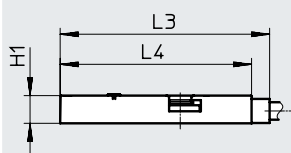
Yellow light emitting diode for safe switching status.

Yellow and orange light emitting diode for unsafe switching status.

- [1] Yellow light emitting diode
- [2] Orange light emitting diode
- [3] Position of sensor element centre
- [4] Clamping element, tightening torque 0.6 Nm



SMT8-M-A-24V-E-... (PNS, PSO)

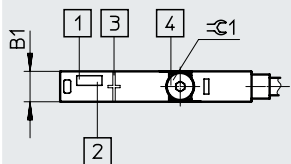


Switching status indication for PNS:

Yellow light emitting diode for PS switching output.

White light emitting diode for NS switching output.

- [1] Yellow light emitting diode
- [2] White light emitting diode
- [3] Position of sensor element centre
- [4] For Allen key



Switching status indication for PSO:

Yellow light emitting diode for PS switching output.

White light emitting diode for PO switching output.

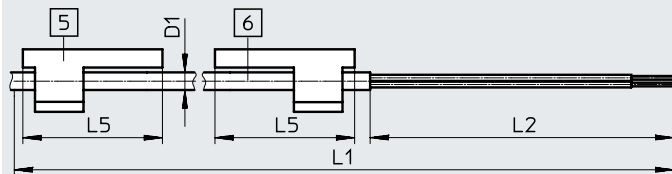
Type	B1	H1	L3	L4	⌀ 1
SMT-8M-A-...-24V-E- (PS, NS, PO, NO, ZS)	5	4.6	29.3	26.3	1.5
SMT-8M-A-...-24V-E- (PNS, PSO)			34.8	31.8	

## Data sheet – Magneto-resistive

## Dimensions

Download CAD data → [www.festo.com](http://www.festo.com)

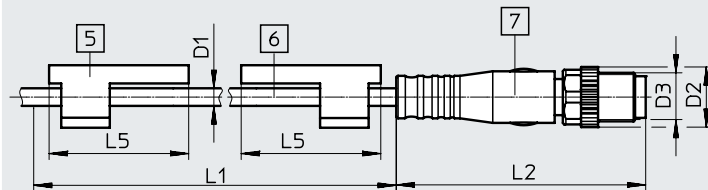
SMT-8M-A...-OE/OE-Ex – Cable



- [5] Inscription label holder drawn turned by 90°
- [6] Connecting cable

L1 Cable length

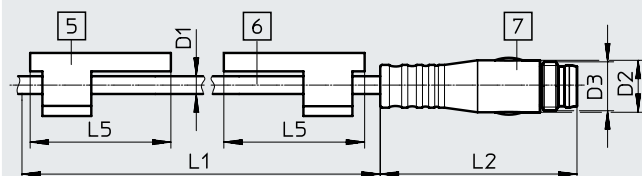
SMT-8M-A...-M8D – Cable with plug M8x1, rotatable thread



- [5] Inscription label holder drawn turned by 90°
- [6] Connecting cable
- [7] Plug suitable for connecting cable NEBU-M8

L1 Cable length

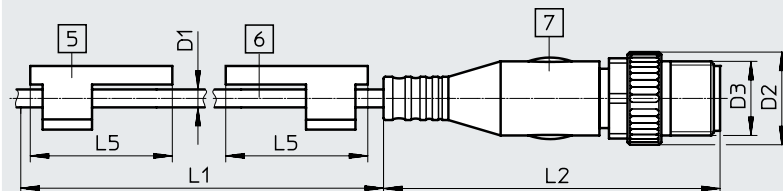
SMT-8M-A...-M8 – Cable with plug M8x1, snap-on flange



- [5] Inscription label holder drawn turned by 90°
- [6] Connecting cable
- [7] Plug suitable for connecting cable NEBU-M8

L1 Cable length

SMT-8M-A...-M12 – Cable with plug M12x1, rotatable thread

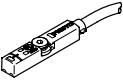


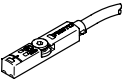
- [5] Inscription label holder drawn turned by 90°
- [6] Connecting cable
- [7] Plug suitable for connecting cable NEBU-M12

L1 Cable length

Type	D1	D2 ø	D3	L1	L2	L5	±1
SMT-8M-A...-OE	2.9	-	-	2500, 7500	50	23	1.5
SMT-8M-A...-OE-EX2		-	-	5000	50		
SMT-8M-A...-M8D		10	M8x1	300	41.1		
SMT-8M-A...-M8		8.5	M8x1	-	32.7		
SMT-8M-A...-M12		15	M12x1	-	54.5		

## Data sheet – Magneto-resistive

Ordering data								
	Switching output	Electrical connection Cable	Cable with plug, rotatable thread		Cable length [m]	Weight [g]	Part no.	Type
			M8x1	M12x1				
	<b>N/O contact</b>							
	PNP	–	3-pin	–	0.3	8.9	★ 574334	SMT-8M-A-PS-24V-E-0.3-M8D
	PNP	3-wire	–	–	2.5	29.1	★ 574335	SMT-8M-A-PS-24V-E-2.5-OE
	PNP	3-wire	–	–	5	57.1	★ 574336	SMT-8M-A-PS-24V-E-5.0-OE
	PNP	–	–	3-pin	0.3	15.9	★ 574337	SMT-8M-A-PS-24V-E-0.3-M12
	NPN	3-wire	–	–	2.5	29.1	★ 574338	SMT-8M-A-NS-24V-E-2.5-OE
		–	–	3-pin	0.3	8.9	★ 574339	SMT-8M-A-NS-24V-E-0.3-M8D
	Non-contacting	2-wire	–	–	5	57.1	★ 574341	SMT-8M-A-ZS-24V-E-5.0-OE-Ex2
<b>N/C contact</b>								
PNP	3-wire	–	–	7.5	85.1	★ 574340	SMT-8M-A-PO-24V-E-7.5-OE	

Ordering data								
	Switching output	Electrical connection Cable	Cable with plug, rotatable thread		Cable length [m]	Weight [g]	Part no.	Type
			M8x1	M12x1				
	<b>N/O contact</b>							
	PNP	–	3-pin	–	0.3	8.9	574342	SMT-8M-A-PS-24V-E-0.3-M8D-Ex2
	<b>N/C contact</b>							
	NPN/NO	3-wire, open end	–	–	2.5	29.1	8138000	SMT-8M-A-NO-24V-E-2,5-OE
	NPN/NO	3-wire, open end	–	–	7.5	85.1	8138001	SMT-8M-A-NO-24V-E-7,5-OE
	<b>Switchable</b>							
PNP/NPN	–	3-pin	–	0.3	9	574343	SMT-8M-A-PNS-24V-E-0.3-M8D	
PNP PS/PO	–	3-pin	–	0.3	9	574344	SMT-8M-A-PSO-24V-E-0.3-M8D	

## Ordering data – Modular product system

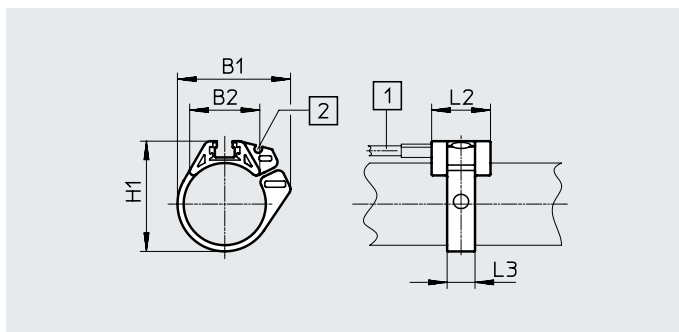
Ordering table		Conditions	Code	Enter code
Size	8			
Module no.	<b>574333</b>			
Function	Proximity switch for T-slot, electronic		<b>SMT-8M</b>	SMT-8M
			-	-
Series	Short design		<b>A</b>	A
			-	-
Switching output	3-wire PNP N/O contact		<b>PS</b>	
	3-wire NPN N/O contact		<b>NS</b>	
	3-wire PNP N/C contact		<b>PO</b>	
	2-wire PNP N/O contact		<b>ZS</b>	
	PNP / NPN, switchable		<b>PNS</b>	
	PNP N/C contact / N/O contact, switchable		<b>PSO</b>	
	3-wire NPN N/C contact		<b>NO</b>	
			-	-
Rated operating voltage [V DC]	24		<b>24V</b>	24V
			-	-
Cable characteristic	Cable chain + robot		<b>E</b>	E
			-	-
Cable length [m]	0.1 ... 30		<b>...</b>	
	(0.1 ... 5.0 in increments of 0.1, 5.0 ... 30 in increments of 0.5)			
			-	-
Cable designation	With inscription label holder			
	Without inscription label holder		<b>N</b>	
			-	-
Connection technology	Open end		<b>OE</b>	
	M8, rotatable thread		<b>M8D</b>	
	M8, snap-on flange		<b>M8</b>	
	M12, rotatable thread		<b>M12</b>	
EU certification	II 3GD to EU Directive 2014/34/EU	[1]	<b>-Ex2</b>	

[1] **Ex2** Not with switching output PNS, PSO, minimum cable length 0.2 m

## Accessories

### Mounting kit SMBR

Material:  
Polyacetal  
RoHS-compliant



#### Dimensions and ordering data

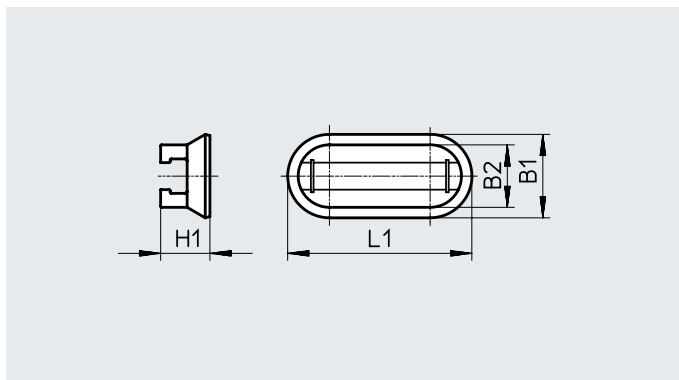
For piston $\varnothing$	B1	B2	H1	L2	L3	Part no.	Type
8	18.9	12.3	17.5	19	7	175091	SMBR-8-8
10	20.4	13.7	19.9	19	7	175092	SMBR-8-10
12	22.7	14.3	21.9	19	7	★ 175093	SMBR-8-12
16	28.2	16.9	25.7	19	8	★ 175094	SMBR-8-16
20	34.5	20.8	30.4	19	9	★ 175095	SMBR-8-20
25	36.7	22.7	35.6	19	9	★ 175096	SMBR-8-25
32	41.7	24.6	42.7	19	9	175097	SMBR-8-32
40	47.1	26.5	50.7	19	9	175098	SMBR-8-40
50	56.4	28.6	61.5	19	9	175099	SMBR-8-50
63	69.4	32	74.5	19	9	175100	SMBR-8-63

### Mounting kit CRSMB

Design: for round cylinders  
Type of mounting: bonded using enclosed adhesive tape

Degree of protection: IP65, IP68, IP69K  
Ambient temperature:  $-40 \dots +90^{\circ}\text{C}$

Material:  
Housing: polyurethane  
Rail: hard anodised aluminium  
Free of copper and PTFE



#### Ordering data

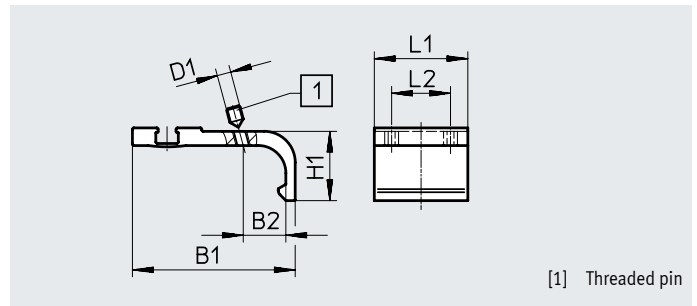
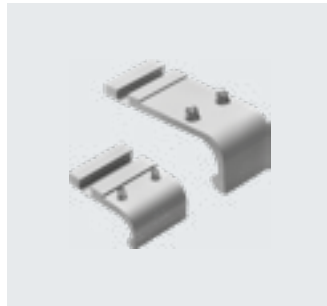
For piston $\varnothing$	B1	B2	H1	L1	CRC <sup>1)</sup>	Part no.	Type
32 ... 100	15.8	11.8	9.3	35	4	525565	CRSMB-8-32/100

1) Corrosion resistance class CRC 4 to Festo standard FN 940070  
Particularly high corrosion stress. Outdoor exposure under extreme corrosive conditions. Parts exposed to aggressive media, e.g. in the chemical or food industries. Such applications may need to be safeguarded by means of special testing (→ also FN 940082), using appropriate media.

## Accessories

### Mounting kit SMB-8-FENG

Material:  
Wrought aluminium alloy  
Free of copper and PTFE

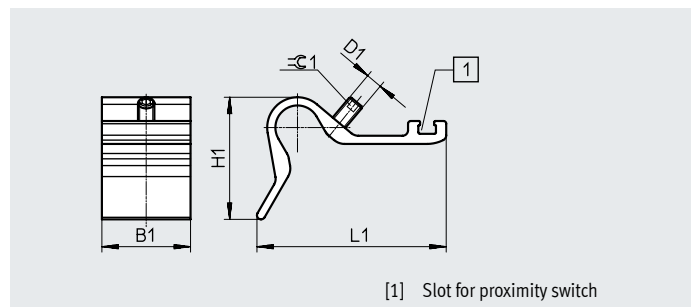


[1] Threaded pin

Dimensions and ordering data										
For piston $\varnothing$	B1	B2	D1	H1	L1	L2	Tightening torque [Nm]	Part no.	Type	
32/40	35.1	8.7	M3	15.5	27	17	0.2	175705	SMB-8-FENG-32/40	
50/63	47	12.3	M4	20	27	17	0.5	175706	SMB-8-FENG-50/63	
80/100	64.3	15.7	M5	24.3	27	17	0.7	175707	SMB-8-FENG-80/100	

### Sensor bracket DASP-M4-...-A

Material:  
Anodised wrought aluminium alloy  
Screws: high-alloy stainless steel  
RoHS-compliant



[1] Slot for proximity switch

Dimensions and ordering data										
Type	B1	D1	H1	L1	$\approx \varnothing 1$	Tightening torque [Nm]	CRC <sup>1)</sup>	Weight [g]	Part no.	Type
DASP-M4-125-A	32.5	M5	28	45.4	2.5	1	3	26.5	1451483	DASP-M4-125-A
DASP-M4-160-A	32.5	M6	44.7	69.4	3	1	3	41.5	1553813	DASP-M4-160-A
DASP-M4-250-A	32.5	M6	56.3	88	3	1	3	60	1456781	DASP-M4-250-A
DASP-M4-320-A	32.5	M6	56.3	88	3	1	3	60	3015256	DASP-M4-320-A

1) Corrosion resistance class CRC 3 to Festo standard FN 940070

High corrosion stress. Outdoor exposure under moderate corrosive conditions. Externally visible parts with primarily functional surface requirements which are in direct contact with a normal industrial environment.

## Accessories

### Mounting kit SMB-8-C

Temperature: -40 ... 120°C

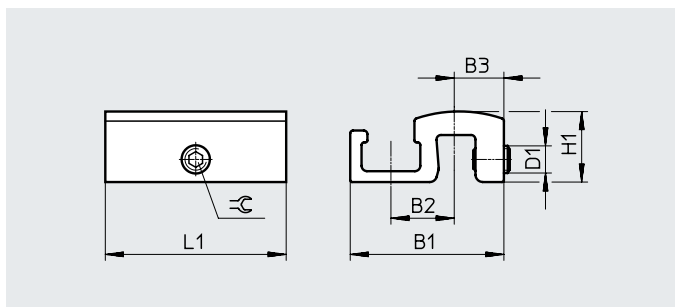
Material:

Retaining bracket: anodised wrought aluminium alloy

Screws: high-alloy stainless steel

Free of copper and PTFE,

RoHS-compliant



#### Dimensions and ordering data

Type	B1	B2	B3	D1	H1	L1	≈ $\ominus$ 1	Tightening torque [Nm]	CRC <sup>1)</sup>	Weight [g]	Part no.	Type
SMB-8-C	17	7	5.5	M3	7.8	20	1.5	0.2 ... 0.6	3	3.5	<b>1806790</b>	<b>SMB-8-C</b>

1) Corrosion resistance class CRC 3 to Festo standard FN 940070

High corrosion stress. Outdoor exposure under moderate corrosive conditions. Externally visible parts with primarily functional surface requirements which are in direct contact with a normal industrial environment.

### Positioning element SMM

Insertable in the slot lengthwise

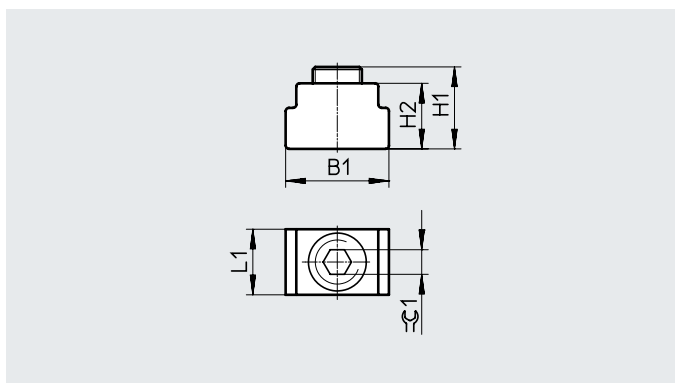
Ambient temperature: -40 ... +120°C

Materials:

Housing: anodised wrought aluminium alloy

Screws: high-alloy stainless steel

Note on materials: RoHS-compliant



#### Dimensions and ordering data





B1	H1	H2	L1	≈ $\ominus$ 1	CRC <sup>1)</sup>	Part no.	Type	PJ <sup>2)</sup>
6.3	5.0	4.0	4.0	1.5	3	<b>547941</b>	<b>SMM-8</b>	<b>10</b>


1) Corrosion resistance class CRC 3 to Festo standard FN 940070

High corrosion stress. Outdoor exposure under moderate corrosive conditions. Externally visible parts with primarily functional surface requirements which are in direct contact with a normal industrial environment.

2) Packaging unit


## Accessories

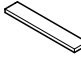
Ordering data – Connecting cables				Data sheets → Internet: nebu/sim	
		Number of wires	Cable length [m]	Part no.	Type
<b>Socket M8x1, 3-pin</b>					
	For SMT/SME-8... and SMT0/SMTSO/SME0-8E	3	2.5	★ 541333	NEBU-M8G3-K-2.5-LE3
			5	★ 541334	NEBU-M8G3-K-5-LE3
	For SMT/SME-8... and SMT0/SMTSO/SME0-8E	3	2.5	★ 541338	NEBU-M8W3-K-2.5-LE3
			5	★ 541341	NEBU-M8W3-K-5-LE3
<b>Socket M12x1, 5-pin</b>					
	For SMT/SME-8M and SMT0/SMTSO/SME0-8E	3	2.5	★ 541363	NEBU-M12G5-K-2.5-LE3
			5	★ 541364	NEBU-M12G5-K-5-LE3
	For SMT/SME-8M and SMT0/SMTSO/SME0-8E	3	2.5	541367	NEBU-M12W5-K-2.5-LE3
			5	541370	NEBU-M12W5-K-5-LE3

Ordering data – Safety clip for ATEX zone					
	Size	Description	Part no.	Type	PU <sup>1)</sup>
	M8	<ul style="list-style-type: none"> <li>Protects "equipment that is not intrinsically safe" in zones 2 and 22 against simple disconnection</li> <li>ATEX category: gas: II 3G / dust: II 3D</li> </ul>	548067	NEAU-M8-GD	1
	M12		548068	NEAU-M12-GD	1

1) Packaging unit

Ordering data – Mounting components				
	Description	Part no.	Type	
	For fixing connecting cables in place	534254	SMBK-8	

Ordering data – Sensor tester			
	Description	Part no.	Type
	<ul style="list-style-type: none"> <li>Testing the functionality of proximity switches using the integrated voltage supply</li> <li>Adjusting proximity switches on the cylinder</li> </ul>	158481	SM-TEST-1

Ordering data – Inscription labels				
	Size	Part no.	Type	PU <sup>1)</sup>
	23x4 mm	541598	ASLR-L-423	34

1) Packaging unit