

- > **Port size: 1/4" (ISOG/NPT)**
- > **Robust corrosion resistant construction**
- > **Dustproof**
- > **Position of levers may be adjusted**



Technical features

Medium:

Compressed air, filtered, lubricated and non-lubricated

Operation:

Poppet valve, directly actuated

Mounting:

Through-holes in valve body

Port size:

G1/4 or 1/4 NPT

Operating pressure:

NC 0,7 ... 10 bar (10 ... 145 psi)

NO 0,7 ... 7 bar (10 ... 101 psi)

Flow characteristics

'1' » '2':

Cv	Kv	l/min
1,28	1,11	1258

'2' » '3':

Cv	Kv	l/min
0,86	0,74	844

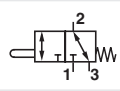
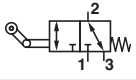
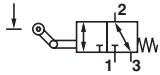
Ambient/Media temperature:

+5 ... 75°C (+41 ... 167°F)

Materials:

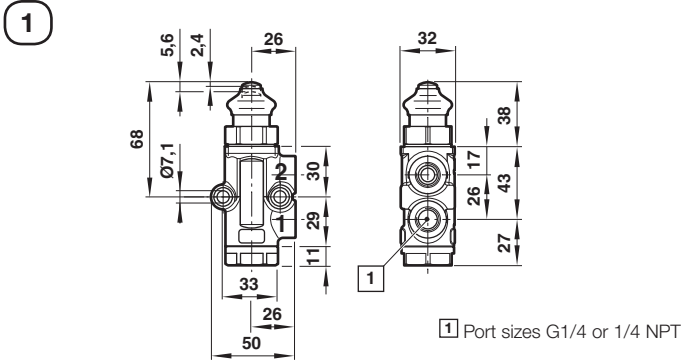
Body, poppet and lever: brass
 Screws and roller: stainless steel
 Seals: NBR

Technical data

Symbol	Port size	Operator/return	Operating pressure (bar)	Operating force	at 0,7 bar	at 10 bar	Weight (kg)	Spares kit	Dimension No.	Model
	G1/4	Plunger/spring	0,7 ... 10	25 N			0,81	QS/1340/6/00	1	S/1340/14
	1/4 NPT	Plunger/spring	0,7 ... 10	25 N			0,81	QS/1340/6/00	1	C/1340/14
	G1/4	Roller/spring	0,7 ... 10		1,5 Nm	1,8 Nm	0,77	QS/1340/6/00	2	S/1340/8
	1/4 NPT	Roller/spring	0,7 ... 10		1,5 Nm	1,8 Nm	0,77	QS/1340/6/00	2	C/1340/8
	G1/4	One-way trip/spring	0,7 ... 10		1,5 Nm	1,8 Nm	0,77	QS/1340/6/00	3	S/1340/48
	1/4 NPT	One-way trip/spring	0,7 ... 10		1,5 Nm	1,8 Nm	0,77	QS/1340/6/00	3	C/1340/48

Dimensions

Dimensions in mm
Projection/First angle

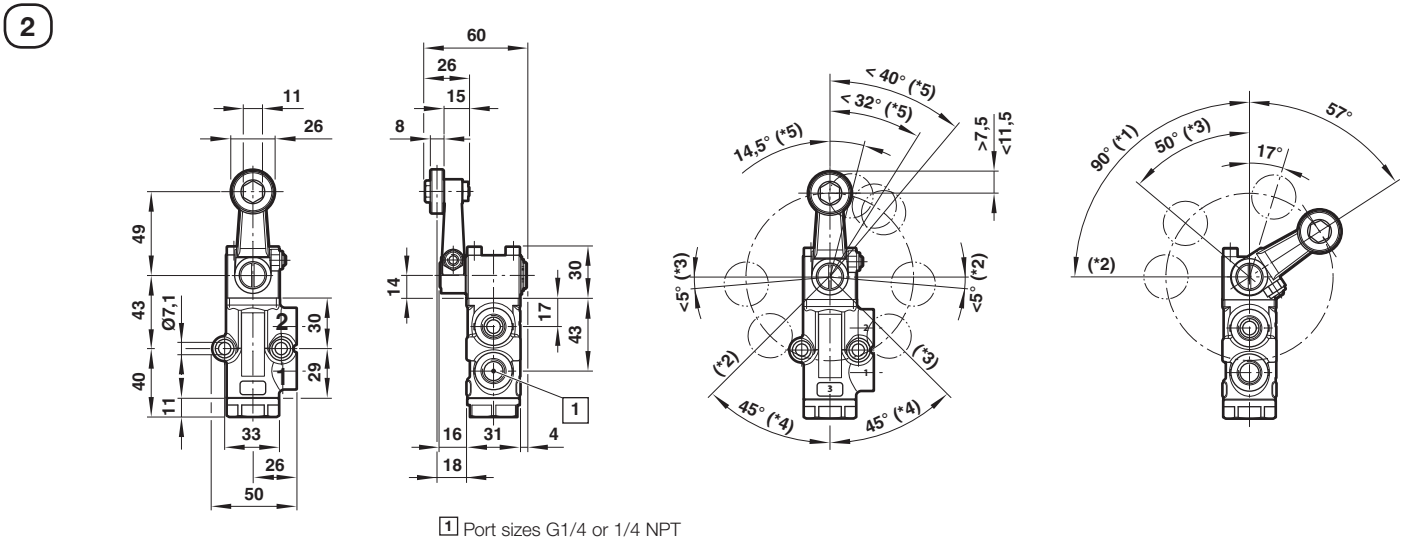


S/1340/14, C/1340/14

Pre-travel: 2,4 mm exhaust seat closes

Operating Travel: 1,6 mm

Total movement of valve including over-travel: 5,6 mm



S/1340/8, C/1340/8

Pre-travel: 14° maximum, exhaust seat closes

Operating Travel: 32°/7,5 mm minimum,
including pre-travel

Total movement of valve including over-travel:

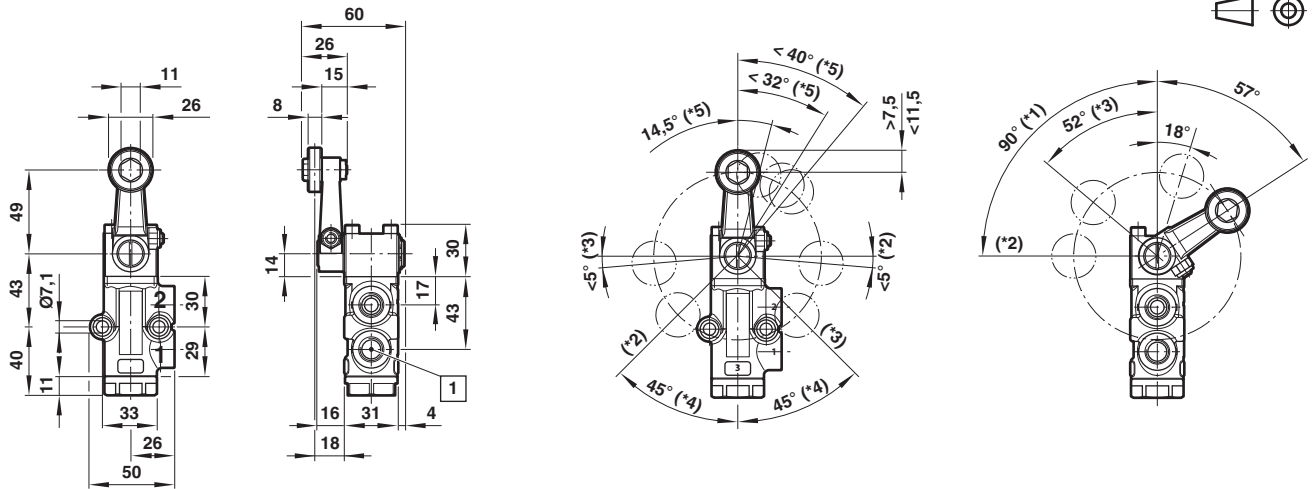
40°/11,5 mm maximum

*** Notes**

1. Operating lever must not be set to exceed this position at any time during operation.
2. Maximum rest position of operating lever for valve operating clockwise.
3. Maximum rest position of operating lever for valve operating anti-clockwise.
4. Operating lever must not enter this arc at any time during operation.
5. Valve may be operated either clockwise or anti-clockwise.
6. Operating lever may be positioned at any angle on the operating spindle providing the conditions of operation in notes 1 ... 5 are maintained.

Operating mechanism may be rotated through 360° at 90° intervals.

Dimensions in mm
 Projection/First angle

3


1 Port sizes G1/4 or 1/4 NPT

S/1340/48, C/1340/48

Pre-travel: 19° maximum, exhaust seat closes

Operating Travel: 36°/9,5 mm minimum, including pre-travel

Total movement of valve including over-travel:

40°/10,5 mm maximum

Minimum movement anti-clockwise to trip valve:

38° (valve does not operate)

*** Notes**

1. Operating lever must not be set to exceed this position at any time during movement to operate or to trip valve.
2. Maximum rest position of operating lever if full amount of over-travel is required.
3. Operating lever must not enter this arc at any time during movement to trip valve.
4. Operating lever must not enter this arc at any time during operation.
5. Valve may be operated clockwise, but does not operate anti-clockwise.
6. Operating lever may be positioned at any angle on the operating spindle providing the conditions of operation in notes 1 ... 5 are maintained

Operating mechanism may be rotated through 360° at 90° intervals.

Warning

These products are intended for use in industrial compressed air systems only. Do not use these products where pressures and temperatures can exceed those listed under

»**Technical features/data**«.

Before using these products with fluids other than those specified, for non-industrial applications, life-support systems or other applications not within published specifications, consult IMI NORGREN.

Through misuse, age, or malfunction, components used in fluid power systems can fail in various modes.

The system designer is warned to consider the failure modes of all component parts used in fluid power systems and to provide adequate safeguards to prevent personal injury or damage to equipment in the event of such failure.

System designers must provide a warning to end users in the system instructional manual if protection against a failure mode cannot be adequately provided.

System designers and end users are cautioned to review specific warnings found in instruction sheets packed and shipped with these products.