

- > **Port size: G1/4**
- > **Very compact unit**
- > **Regulator pressure set and sealed at factory - tamper resistant**
- > **Particularly suitable for use as a safety regulator in conjunction with blow-guns**



Technical features

Medium:

Compressed air only

Maximum inlet pressure:

28 bar (406 psi)

Pre-set pressure range:

0,5 ... 6,3 bar (7 ... 91 psi)

Please specify pre-set regulated pressure required when ordering.

Units are pre-set with 7 bar (101 psi) inlet pressure unless otherwise specified.

Typical setting accuracy of regulator with 7 bar (101 psi) inlet pressure and zero flow:

2 bar (+0,07 bar, - 0,2 bar)

29 psi (+1.0 psi, -2.9 psi)

Port sizes:

G1/4

Rc1/8 (Gauge)

Ambient/Media temperature:

-20 ... +80°C (-4 ... +176°F)

Air supply must be dry enough to avoid ice formation at temperatures below +2°C (+35°F)

Materials:

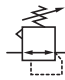
Body: Zinc alloy

Bonnet: Aluminium alloy

Valve: Brass

Seals: NBR

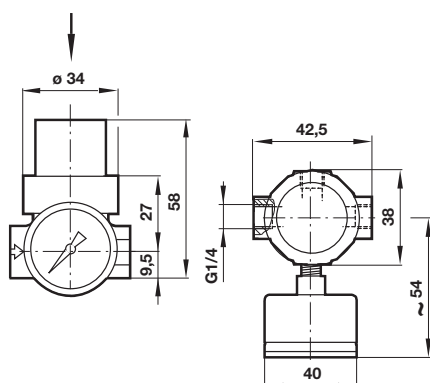
Technical data, standard models with relieving

Symbol	Port size	Pre-set pressure range *1)		Weight	Model
		(bar)	(psi)	(kg)	
	G1/4	2 (Blow gun regulator)	29	0,16	R16-200-R30G
	G1/4	0,5 ... 1	7.2 ... 14	0,14	R16-200-RNTG
	G1/4	1 ... 4	14 ... 58	0,14	R16-200-RNEG
	G1/4	4 ... 6,3	58 ... 91	0,15	R16-200-RNKG

*1) Other specify pre-set pressure on request

Dimensions

Dimensions in mm
Projection/First angle



Warning

These products are intended for use in industrial compressed air systems only. Do not use these products where pressures and temperatures can exceed those listed under

»Technical features/data«.

Before using these products with fluids other than those specified, for non-industrial applications, life-support systems or other applications not within published specifications, consult IMI NORGREN.

Through misuse, age, or malfunction, components used in fluid power systems can fail in various modes.

The system designer is warned to consider the failure modes of all component parts used in fluid power systems and to provide adequate safeguards to prevent personal injury or damage to equipment in the event of such failure.

System designers must provide a warning to end users in the system instructional manual if protection against a failure mode cannot be adequately provided.

System designers and end users are cautioned to review specific warnings found in instruction sheets packed and shipped with these products.