

- > **Port size:**
G1/4 ... G1 1/4
- > **Exceptionally high flow and relief flow characteristics**
- > **Easy to adjust even at high output pressures**
- > **Balanced valve minimises effect of variations in inlet pressure on outlet pressure**
- > **Relieving feature allows outlet pressure reduction even when the system is dead ended**
- > **Full flow gauge ports**
- > **Panel mounting facility**
- > **Pilot operated version available**



Technical features

Medium:
Compressed air
Maximum pressure:
20 bar (290 psi)
Pressure range:
0,3 ... 17 bar (4 ... 246 psi)

Port size:
1/4" ... 1 1/4"
Gauge ports:
See table below

Ambient/Media temperature:
0 ... +80°C (+32 ... +176°F)
supply must be dry enough to avoid ice formation at temperatures below +2°C (+35 °F).

Materials:
Body & bonnet: zinc alloy
Bottom plug & adjusting knob (manual): acetal resin
Main valve: brass/synthetic rubber
Elastomers: synthetic rubber

Technical data, standard models, relieving, without gauge

Symbol	Port size	Gauge port size	Pressure range (bar)	Weight (kg)	Model
	G1/4	G1/4	0,3 ... 17	0,73	R24-201-RNXG
	G3/8	G3/8	0,3 ... 17	0,70	R24-301-RNXG
	G1/2	G1/2	0,3 ... 17	0,68	R24-401-RNXG
	G3/4	G1/2	0,3 ... 17	1,18	R24-601-RNXG
	G1	G1/2	0,3 ... 17	1,18	R24-801-RNXG
	G1 1/4	G1/2	0,3 ... 17	1,14	R24-A01-RNXG
	G1/4	G1/4	0,7 ... 8	0,86	R24-200-RNLG
	G3/8	G3/8	0,7 ... 8	0,83	R24-300-RNLG
	G1/2	G1/2	0,7 ... 8	0,81	R24-400-RNLG
	G3/4	G1/2	0,7 ... 8	1,24	R24-600-RNLG
	G1	G1/2	0,7 ... 8	1,24	R24-800-RNLG
	G1 1/4	G1/2	0,7 ... 8	1,20	R24-A00-RNLG

Option selector

R24-★0★-R★★★

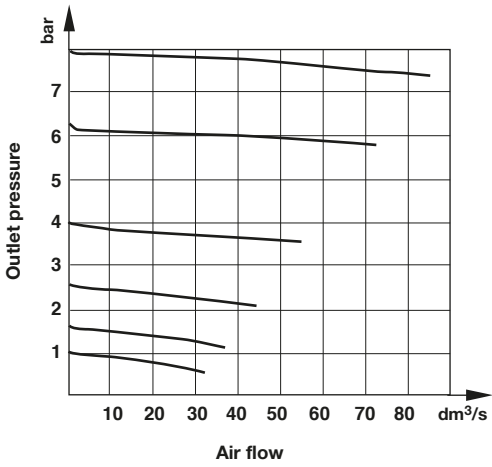
Port size	Substitute			Thread	Substitute
1/4"	2			PTF	A
3/8"	3			ISO G parallel (standard)	G
1/2"	4			Pressure range *	Substitute
3/4"	6			None	X*
1"	8			0,3 ... 2 bar	C
1 1/4"	A			0,3 ... 4 bar	F
Type	Substitute			0,7 ... 8 bar (standard)	L
Manual actuated	0			0,7 ... 17 bar	S
Pilot actuated	1				
Gauge	Substitute				
With	G				
Without (standard)	N				

*Only available as pilot operated version

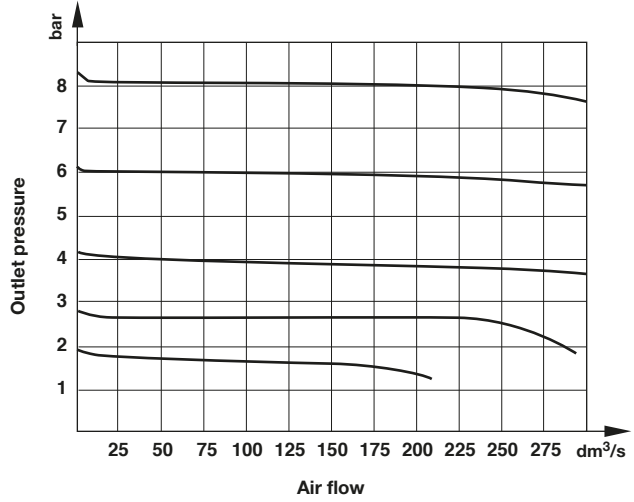
Flow characteristics

Manual-operated

Inlet pressure: 10 bar
Port size: 1/2 inch

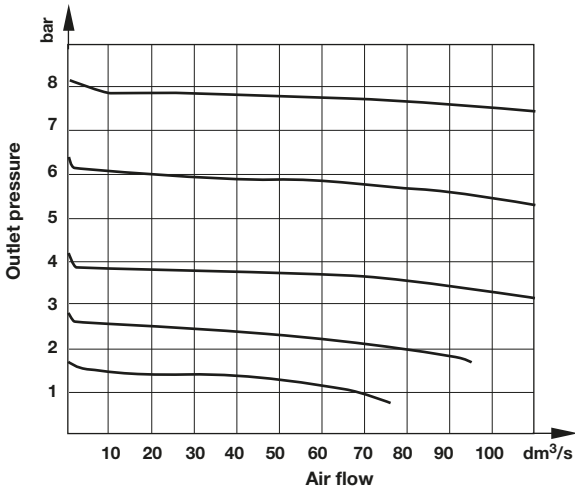


Inlet pressure: 10 bar
Port size: 1 inch

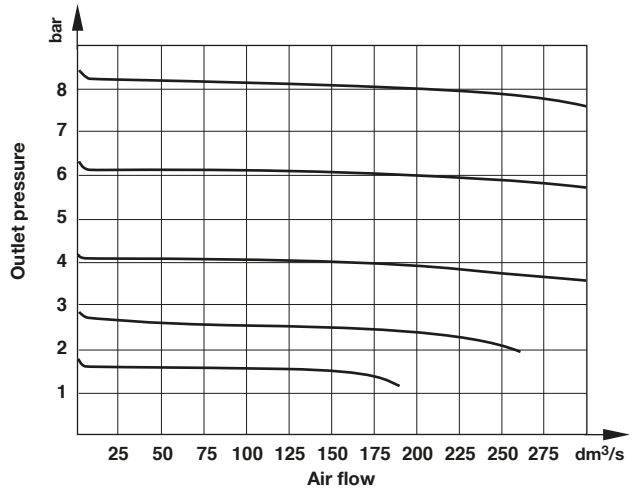


Pilot-operated





Inlet pressure: 10 bar
Port size: 1/2 inch



Inlet pressure: 10 bar
Port size: 1 inch



Accessories

Mounting bracket kit	Gauge	Concentric reducing adaptors for gauge ports	Panel nut
			
18-999-412	0 ... 6 bar: 18-013-012 0 ... 10 bar: 18-013-013 0 ... 25 bar: 18-013-014	R1/4-G1/8 150232818	2962-04

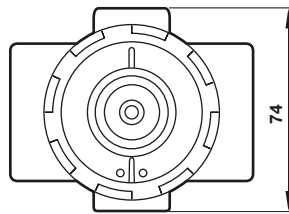
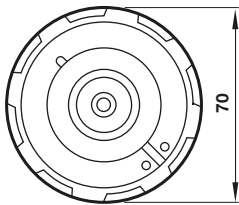
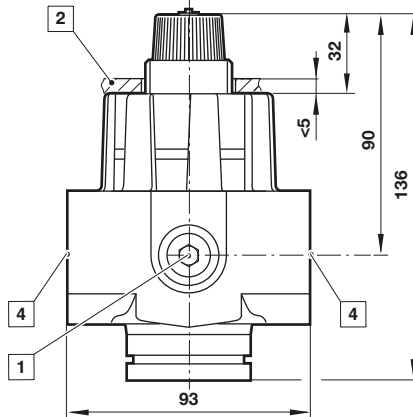
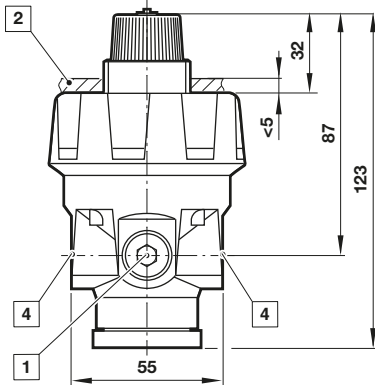
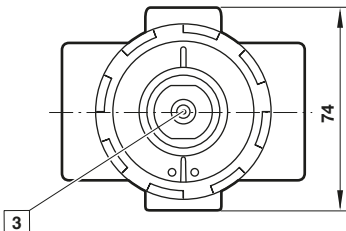
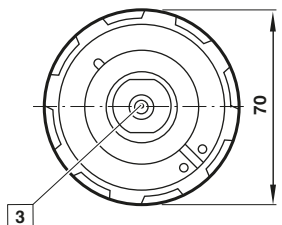
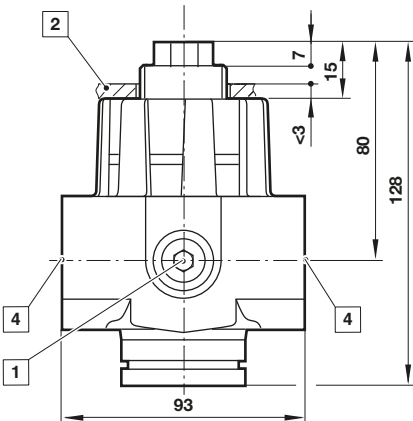
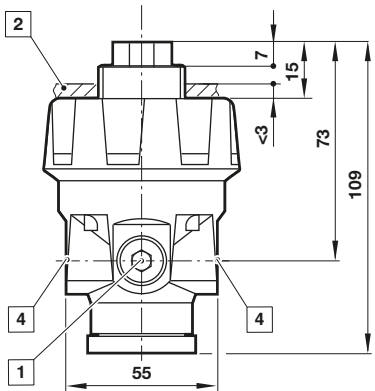
Service kits

Service kit for standard pressure range 0,7 ... 8 bar only

Manual actuated
G1/4 ... G1/2: 5292-52
G3/4 ... G1 1/4: 5292-53
Pilot actuated
G1/4 ... G1/2: 5292-54
G3/4 ... G1 1/4: 5292-55

Drawings

 Dimensions in mm
 Projection/First angle

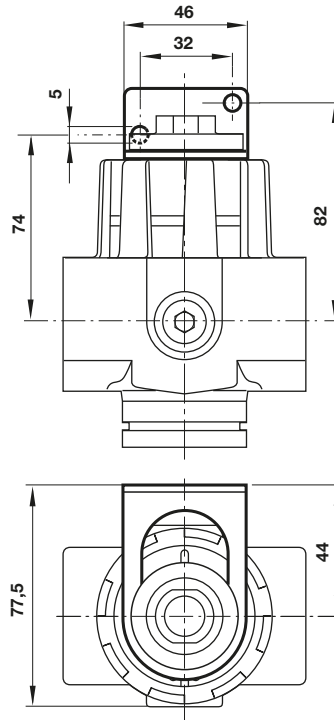
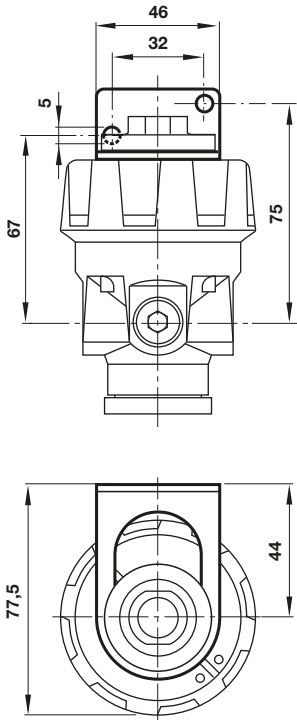
R24 (G1/4 ... G1/2) manually operated
R24 (G3/4 ... G1 1/4) manually operated

R24 (G1/4 ... G1/2) pilot operated
R24 (G3/4 ... G1 1/4) pilot operated


- 1 Gauge port
- 2 Panel hole \varnothing 30 mm
- 3 Pilot port G1/4
- 4 Main ports 1/4", 3/8", 1/2", 3/4", 1" or 1 1/4"

Mounting bracket
G1/4, G3/8, G1/2

G3/4, G1, G1 1/4

Dimensions in mm
Projection/First angle



Panel thickness: 0 ... 3 mm

Warning

EN

These products are intended for use in industrial compressed air systems only. Do not use these products where pressures and temperatures can exceed those listed under

»**Technical features/data**«.

Before using these products with fluids other than those specified, for non-industrial applications, life-support systems or other applications not within published specifications, consult IMI Precision Engineering, Norgren Inc.

Through misuse, age, or malfunction, components used in fluid

The system designer is warned to consider the failure modes of all component parts used in fluid power systems and to provide adequate safeguards to prevent personal injury or damage to equipment in the event of such failure.

System designers must provide a warning to end users in the system instructional manual if protection against a failure mode cannot be adequately provided.

System designers and end users are cautioned to review specific warnings found in instruction sheets packed and shipped with these