

- > **Port size: 1/4"**  
(ISO G, NPT)
- > **Excellent long term stability**
- > **Versatile design for varied applications**
- > **High forward and relief flow capability**
- > **High-precision manual pressure regulator**
- > **Low air consumption**
- > **Highly sensitive and accurate**
- > **Perfect for dead-end applications**



### Technical features

#### Medium:

Oil free, dry air filtered to 25 µm  
 Note: for use with gases other than compressed air please consult NORGREN

#### Operation:

Handwheel 2,5 ... 3 turns

#### Inlet pressure:

At least 0,2 bar (3 psi) above max required output pressure, up to a maximum of 10 bar (145 psi)

#### Air and gauge ports:

G1/4 or 1/4 NPT

#### Flow capacity:

Up to 500 l/min

#### Hysteresis & repeatability:

Typically < 0,05% at mid range

#### Ambient/Media temperature:

-20 ... +70°C (-4 ... +158°F)

Air supply must be dry enough to avoid ice formation at temperatures below +2°C (+35 °F)

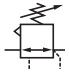
#### Materials:

Body: Passivated zinc, epoxy painted

Springs: Stainless steel

Elastomers: NBR

### Technical data, standard model

Symbol	Port size	Pressure range (bar)	Air consumption (l/min)	Regulation accuracy *1) (%)	Weight (kg)	Model
	G1/4	0,14 ... 2,0	Typically < 2	0,1	0,78	R27-200-RNCG
	G1/4	0,14 ... 4,0	Typically < 2	0,05	0,78	R27-200-RNFG
	G1/4	0,14 ... 8,0	Typically < 2	0,02	0,78	R27-200-RNLG

\*1) % output change for 1 bar supply pressure change at mid-range output

"Other options available include captured bleed, natural gas, gearbox, yoke mount, weatherproof, alternative pneumatic connections and low pressure versions. For options not shown and any specific requirements please contact the Norgren technical department via [www.norgren.com/watsonsmith](http://www.norgren.com/watsonsmith)"

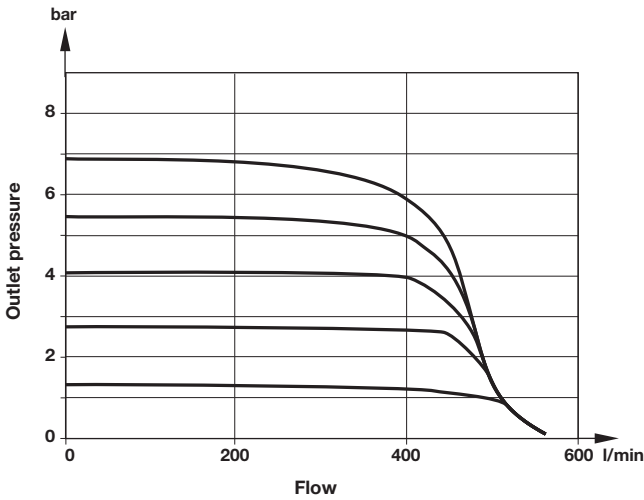
### Option selector

### R27-200-RN★★

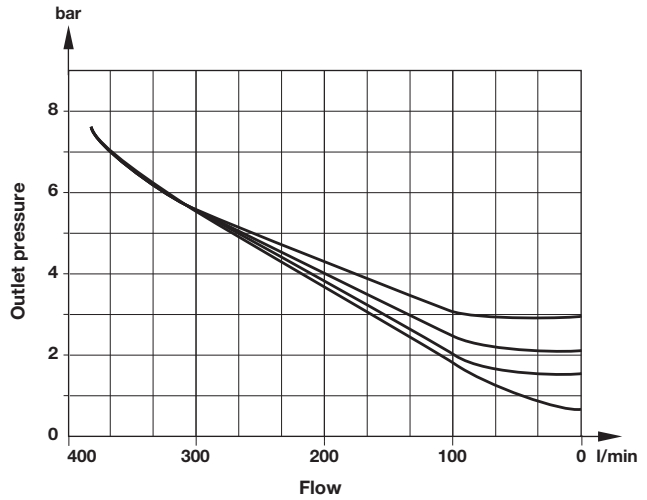
Pressure range	Substitute	Threads	Substitute
0,14 ... 2,0 bar (2 ... 29 psi)	<b>C</b>	NPT	<b>R</b>
0,14 ... 4,0 bar (2 ... 58 psi)	<b>F</b>	ISO G parallel	<b>G</b>
0,14 ... 8,0 bar (2 ... 116 psi)	<b>L</b>		

## Flow characteristics

Forward flow (supply pressure 7 bar)

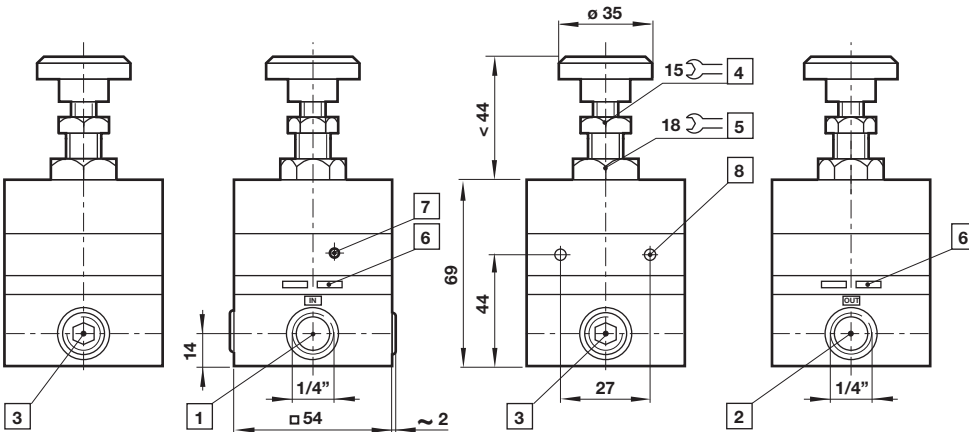
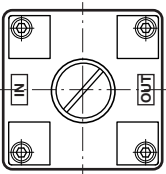


Relief flow (supply pressure 7 bar)



## Dimensions

Dimensions in mm  
Projection/First angle



- 1 Inlet port G1/4 or 1/4 NPT
- 2 Outlet port G1/4 or 1/4 NPT
- 3 Gauge port G1/4 or 1/4 NPT
- 4 Tension nut
- 5 Mounting nut (Ø 11,5 required for panel mounting)
- 6 Exhaust, do not obstruct!
- 7 Bleed port
- 8 Mounting holes (mount with M4 x 8 mm self tap screws)

## Warning

These products are intended for use in industrial compressed air systems only. Do not use these products where pressures and temperatures can exceed those listed under »Technical features/data«.

Before using these products with fluids other than those specified, for non-industrial applications, life-support systems or other applications not within published specifications, consult IMI NORGREN.

Through misuse, age, or malfunction, components used in fluid power systems can fail in various modes.

The system designer is warned to consider the failure modes of all component parts used in fluid power systems and to provide adequate safeguards to prevent personal injury or damage to equipment in the event of such failure.

System designers must provide a warning to end users in the system instructional manual if protection against a failure mode cannot be adequately provided.

System designers and end users are cautioned to review specific warnings found in instruction sheets packed and shipped with these products.