

Smart Proximity Sensor E2NC Series

Smart Proximity Sensor with Separate Amplifier Enables Easily Making Highprecision Sensitivity Settings.

- Wide variety of Sensor Heads to select according to the application. Flexible cables are used between Preamplifiers and Amplifier Units of the Sensor Heads.
- High resistance to changes in ambient temperature. Temperature characteristics of 0.08%/°C *
- Make simple and reliable detection settings with micronlevel precision using the teaching function.
- Check the sensing excess gain level on the digital display.
- Support for high-precision positioning and screening with fine positioning to maximize variations.
- The Model for Sensor Communications Units support an EtherCAT Sensor Communications Unit or CC-Link Sensor Communications Unit.

* Refer to the *Ratings and Specifications* on page 4.






 Refer to the *Safety Precautions* on page 13.



For the most recent information on models that have been certified for safety standards, refer to your OMRON website.

Ordering Information

Sensors (Dimensions → page 16) Sensor Heads

Type	Appearance	Sensing Distances	Repeat accuracy	Cable specification	Model
Shielded	 Cylindrical	3 dia. × 18 mm 0.6 mm	1 μm	Free cutting *2	E2NC-EDR6-F
		5.4 dia. × 18 mm 1 mm	1 μm	Standard *2	E2NC-ED01
				Free cutting *2	E2NC-ED01-F
	8 dia. × 22 mm 2 mm	2 μm	With Protective Spiral Tube *1*2	E2NC-ED01-S	
			Standard *2	E2NC-ED02	
			Free cutting *2	E2NC-ED02-F	
	 Screw	M10 × 22 mm 2 mm	2 μm	With Protective Spiral Tube *1*2	E2NC-ED02-S
				Standard *2	E2NC-EM02
				Free cutting *2	E2NC-EM02-F
 Flat	30 × 14 × 4.8 mm 5 mm	2 μm	With Protective Spiral Tube *1*2	E2NC-EM02-S	
			Standard *2	E2NC-EV05	
			Free cutting *2	E2NC-EV05-F	
Unshielded	 Screw	M18 × 46.3 mm 7 mm	5 μm	With Protective Spiral Tube *1*2	E2NC-EV05-S
				Standard *2	E2NC-EM07M
				Free cutting *2	E2NC-EM07M-F
Heat-resistant	 Screw	M12 × 22 mm 2 mm	2 μm	With Protective Spiral Tube *1*2	E2NC-EM07M-S
				Standard *2	E2NC-EM02H

*1. Ask your OMRON representative for information on the Protective Spiral Tube.

*2. Standard models and models with Protective Spiral Tube: The standard cable length is 2.6 m, Free-cut models: The standard cable length is 3.6 m. (Standard cable length is the length containing the preamplifier and connector.)

E2NC Series

Amplifier Units (Dimensions → page 19)



Type	Appearance	Connection method	Input/output	Model	
				NPN output	PNP output
Advanced models		Pre-wired (2 m)	2 outputs + 1 input	E2NC-EA21 2M	E2NC-EA51 2M
		Wire-saving Connectors	2 outputs	E2NC-EA7TW	E2NC-EA9TW
		Wire-saving Connectors	1 output + 1 input	E2NC-EA7	E2NC-EA9
Model for Sensor Communications Unit *		Connector for Sensor Communications Unit	---	E2NC-EA0	
		Connector for Sensor Communications Unit Pre-wired (2 m)	1 output	E2NC-EA10 2M	E2NC-EA40 2M

* A Sensor Communications Unit is required if you want to use the Amplifier Unit on a network.

Accessories (Sold Separately)

Wire-saving Connectors (Required for models for Wire-saving Connectors.) (Dimensions → page 21)



Connectors are not provided with the Fiber Amplifier Unit and must be ordered separately. *Protective stickers are provided.

Type	Appearance	Cable length	No. of conductors	Model	Applicable Amplifier Units
Master Connector		2 m	4	E3X-CN21	E2NC-EA7TW E2NC-EA9TW E2NC-EA7 E2NC-EA9
Slave Connector			2	E3X-CN22	

End Plate (Dimensions → page 21)




Two End Plates (PFP-M) are provided with the Sensor Communications Unit.

End Plates (PFP-M and E39-EP1) are not provided with the Amplifier Unit. They must be ordered separately as required.

Appearance	Model	Quantity	Applicable Amplifier Units
	PFP-M	1	E2NC-EA21 E2NC-EA51 E2NC-EA7□□ E2NC-EA9□□ E2NC-EA0
	E39-EP1	1	E2NC-EA10 E2NC-EA40

Related Products

Sensor Communications Units

Type	Appearance	Model
Sensor Communications Unit for EtherCAT		E3NW-ECT
Sensor Communications Unit for CC-Link		E3NW-CCL
Distributed Sensor Unit *		E3NW-DS

Refer to your OMRON website for details.

* The Distributed Sensor Unit can be connected to any of the Sensor Communications Units.

EtherCAT® is a registered trademark and patented technology, licensed by Beckhoff Automation GmbH, Germany.

CC-Link is a registered trademark of Mitsubishi Electric Corporation. The trademark is managed by the CC-Link Partner Association.

E2NC Series

Ratings and Specifications

Sensor Heads

Model	E2NC-EDR6-F	E2NC-ED01(-□)	E2NC-ED02(-□)	E2NC-EM02(-□)	E2NC-EV05(-□)	E2NC-EM07M(-□)	E2NC-EM02H	
Item	3 dia. × 18 mm	5.4 dia. × 18 mm	8 dia. × 22 mm	M10 × 22 mm	30 × 14 × 4.8 mm	M18 × 46.3 mm	M12 × 22 mm	
Sensing Distances	0.6 mm	1 mm	2 mm	2 mm	5 mm	7 mm	2 mm	
Sensing object	Ferrous metal (The sensing distance decreases with non-ferrous metal. Refer to <i>Engineering Data</i> on page 7.)							
Standard sensing object	5 × 5 mm	5 × 5 mm	10 × 10 mm	10 × 10 mm	15 × 15 mm	22 × 22 mm	20 × 20 mm	
	Material: iron (t = 3, S50C)							
Repeatability *1	1 μm	1 μm	2 μm	2 μm	2 μm	5 μm	2 μm	
Hysteresis distance	Variable							
Temperature characteristics *2	Sensor Head	0.3%/°C	0.08%/°C	0.08%/°C	0.08%/°C	0.04%/°C	0.08%/°C	0.2%/°C
	Preamplifier and Amplifier	0.08%/°C						
Ambient temperature range *3	Operating	-10°C to 60°C (with no icing or condensation)						-10°C to 200°C (with no icing or condensation) *4
	Storage	-10°C to 60°C (with no icing or condensation)	-20°C to 70°C (with no icing or condensation)					
Ambient humidity	Operating/storage: 35% to 85% (with no condensation)							
Insulation resistance	50 MΩ min. (at 500 VDC)							
Dielectric strength	1,000 VAC at 50/60 Hz for 1 min between current carry parts and case							
Vibration resistance (destruction)	10 to 55 Hz with a 1.5-mm double amplitude for 2 hours each in X, Y, and Z directions							
Shock resistance (destruction)	500 m/s ² for 3 times each in X, Y, and Z directions							
Degree of protection (Sensor Head)	IEC60529 IP67						IEC60529 IP60 *5	
Weight (packed state) *6	Approx. 120 g							
Materials	Sensor Head	Brass	SUS	Brass	Brass	Zinc	Brass	Brass
	Sensing surface	Heat-resistant ABS						PEEK
	Clamping nut	---			Nickel-plated brass	---	Nickel-plated brass	
	Toothed washer	---			Zinc-plated iron	---	Zinc-plated iron	
	Preamplifier	PES						
Connection method *7	Connector (Standard models and models with Protective Spiral Tube: The standard cable length is 2.6 m, Free-cut models: The standard cable length is 3.6 m.)							
Accessories	Instruction Manual, Mounting Brackets							

*1. Repeatability: The standard reference object at 1/2 of the measurement range.

*2. Temperature characteristic: The standard reference object at 1/2 of the measurement range.

*3. Do not expose the product to rapid temperature changes, otherwise the characteristics may be deteriorated.

*4. Sensor Head only (The ambient temperature of other parts is -10 to 60°C)

*5. Do not expose the product to steam. This product does not have any protection mean against water.

*6. The protective spiral tube adds another 90 g to the weight.

*7. Standard length is the length containing the preamplifier and connector.

Amplifier Unit

Item	Types		Advanced models			Model for Sensor Communications Unit *1	
	NPN output	E2NC-EA21	E2NC-EA7TW	E2NC-EA7	E2NC-EA10	E2NC-EA0	
	PNP output	E2NC-EA51	E2NC-EA9TW	E2NC-EA9	E2NC-EA40		
Connecting method	Pre-wired (2 m)	Wire-saving Connectors		Connector for Sensor Communications Unit Pre-wired (2 m)	Connector for Sensor Communications Unit		
Input/output	Output	2 outputs		1 output	1 output *2	2 outputs *3	
	External inputs *4	1 input	---	1 input	---	---	
Power supply voltage		10 to 30 VDC, including 10% ripple (p-p)			Refer to the communication unit specifications.		
Power consumption *5		At Power Supply Voltage of 24 VDC Normal mode: 1,080 mW max. (Current consumption at 45 mA max.), Eco function ON: 840 mW max. (Current consumption at 35 mA max.), Eco function LO: 960 mW max. (Current consumption at 40 mA max.)					
Control output		Load power supply voltage: 30 VDC max., open collector output Load current: Groups of 1 to 3 Amplifier Units: 100 mA max., Groups of 4 to 30 Amplifier Units: 20 mA max. Residual voltage: At load current of less than 10 mA: 1 V max. At load current of 10 to 100 mA: 2 V max. OFF current: 0.1 mA max.				Refer to the communication unit specifications.	
Indicators		7-segment displays (Sub digital display: green, Main digital display: white) Display direction: Switchable between normal and reversed. OUT indicator (orange), NO/NC indicator (orange), ST indicator (blue) and OUT selection indicator (orange, only on models with 2 outputs)					
Protection circuits		Power supply reverse polarity protection, output short-circuit protection and output reverse polarity protection				Power supply reverse polarity protection, output short-circuit protection	
Response time	Super-high-speed mode (SHS)	Operate or reset: 150 μs					
	High-speed mode (HS)	Operate or reset: 300 μs (default setting)					
	Standard mode (Std)	Operate or reset: 1 ms					
	GIGA power mode (GIGA)	Operate or reset: 4 ms					
Sensitivity adjustment		Smart Tuning (Fine Positioning, 2-point Tuning, Position Tuning, Percentage Tuning (-99% to 99%), Full Auto Tuning, or manual adjustment)					
Maximum connectable Units		30 units			16 units		With E3NW-ECT: 30 units *6 With E3NW-CCL: 16 units
No. of Units for mutual interference prevention		Up to five units, intermittent oscillation method (response time = (No. of connected units + 1) x 15 ms) Note: The mutual interference prevention function is disabled if Super High Speed mode (SHS) is selected for detection function.					
Functions	Operation mode	NO (Normally Open)/NC (Normally closed)					
	Timer	Select from timer disabled, OFF-delay, ON-delay, one-shot, or ON-delay + OFF-delay timer: 1 to 9,999 ms					
	Differential detection	Single edge: Can be set to 250 μs, 500 μs, 1 ms, 10 ms, or 100 ms.					
	Zero reset	Provided Zero-reset is accompanied by a change of detection distance. After zero-reset, some threshold level may also cause a change of the indication by influence of other settings.					
	Resetting settings *7	Select from initial reset (factory defaults) or user reset (saved settings).					
	Eco mode	Select from OFF (digital display lit), Eco ON (digital display not lit), and Eco LO (digital display dimmed).					
	Bank switching	Select from banks 1 to 4.					
	Output 1	Select from normal detection mode, area detection mode or differential detection mode.					
	Output 2	Select from normal detection mode, alarm output mode, error output mode or disconnection detection output mode.			---	---	Select from normal detection mode, alarm output mode, error output mode or disconnection detection output mode.
	External input	Select from input OFF, 2-point Tuning, Percentage Tuning, Full Auto Tuning, Fine Positioning, zero reset, synchronization detection, or bank switching.	---	Select from input OFF, 2-point Tuning, Percentage Tuning, Full Auto Tuning, Fine Positioning, zero reset, synchronization detection, or bank switching.	---	---	---
Hysteresis width	Select from standard setting or user setting. For a user setting, the hysteresis width can be set from 0 to 9,999.						
Changing the displays	Threshold/ Detected intensity ratio, Peak receiving Detected amount/ Bottom Detected amount, Threshold bar display, Peak Detected amount/ Receiving Detected and CH number/ Detected amount				Threshold/ Detected intensity ratio, Peak receiving Detected amount/ Bottom Detected amount, Threshold bar display, Peak Detected amount/ Receiving Detected and CH number/ Detected amount		

E2NC Series

Item	Types		Advanced models			Model for Sensor Communications Unit *1	
	NPN output	E2NC-EA21	E2NC-EA7TW	E2NC-EA7	E2NC-EA10	E2NC-EA0	
	PNP output	E2NC-EA51	E2NC-EA9TW	E2NC-EA9	E2NC-EA40		
Connecting method	Pre-wired (2 m)	Wire-saving Connectors		Connector for Sensor Communications Unit Pre-wired (2 m)	Connector for Sensor Communications Unit		
Ambient temperature range	Operating: Groups of 1 or 2 Amplifier Units: -25 to 55°C, Groups of 3 to 10 Amplifier Units: -25 to 50°C, Groups of 11 to 16 Amplifier Units: -25 to 45°C, Groups of 17 to 30 Amplifier Units: -25 to 40°C Storage: -30 to 70°C (with no icing or condensation)				Operating: Groups of 1 or 2 Amplifier Units: 0 to 55°C, Groups of 3 to 10 Amplifier Units: 0 to 50°C, Groups of 11 to 16 Amplifier Units: 0 to 45°C, Groups of 17 to 30 Amplifier Units: 0 to 40°C Storage: -30 to 70°C (with no icing or condensation)		
Ambient humidity range	Operating and storage: 35 to 85% (with no condensation) within the surrounding air temperature range shown above						
Altitude	2,000 m max.						
Installation environment	Pollution degree 3						
Insulation resistance	20 MΩ min. (at 500 VDC)						
Dielectric strength	1,000 VAC at 50/60 Hz for 1 min						
Vibration resistance (destruction)	10 to 55 Hz with a 1.5-mm double amplitude for 2 hours each in X, Y, and Z directions						
Shock resistance (destruction)	500 m/s ² for 3 times each in X, Y, and Z directions				150 m/s ² for 3 times each in X, Y, and Z directions		
Weight (packed state/Sensor only)	Approx. 115 g/Approx. 75 g	Approx. 60 g/Approx. 20 g	Approx. 60 g/Approx. 20 g	Approx. 95 g/Approx. 45 g	Approx. 65 g/Approx. 25 g		
Materials	Case	Polycarbonate (PC)					
	Cover	Polycarbonate (PC)					
	Cable	PVC					
Accessories	Instruction Manual						

*1. The communication unit is compatible with EtherCAT type E3NW-ECT and E3NW-CCL of CC-Link. This unit is not usable with E3NW-CRT.

*2. Channel 1 of each amplifier unit is output as the output drawn by the cord.

*3. Output signals from two sensors are assigned to the PLC via the network.

Various settings can be changed and detected values can be read by operating the PLC via the network.

*4. The following details apply to the input.

	Contact input (relay or switch)	Non-contact input (transistor)	Input time *4-1
NPN output E2NC-EA21 E2NC-EA7	ON: Shorted to 0 V (Sourcing current: 1 mA max.). OFF: Open or shorted to Vcc.	ON: 1.5 V max. (Sourcing current: 1 mA max.) OFF: Vcc - 1.5 V to Vcc (Leakage current: 0.1 mA max.)	ON: 9 ms min. OFF: 20 ms min.
PNP output E2NC-EA51 E2NC-EA9	ON: Shorted to Vcc (Sinking current: 3 mA max.). OFF: Open or shorted to 0 V.	ON: Vcc - 1.5 V to Vcc (Sinking current: 3mA max.) OFF: 1.5 V max. (Leakage current: 0.1 mA max.)	

*4-1. Input time is 25 ms (ON)/(OFF) only when (in tUnE) or (in PtUn) input is selected.

*5. At Power supply voltage of 10 to 30 VDC

Normal mode: 1,110 mW max. (Current consumption: 37 mA max. at 30 VDC, 76 mA max. at 10 VDC)

Eco function ON: 900 mW max. (Current consumption: 30 mA max. at 30 VDC, 48 mA max. at 10 VDC)

Eco function LO: 1,020 mW max. (Current consumption: 34 mA max. at 30 VDC, 58 mA max. at 10 VDC)

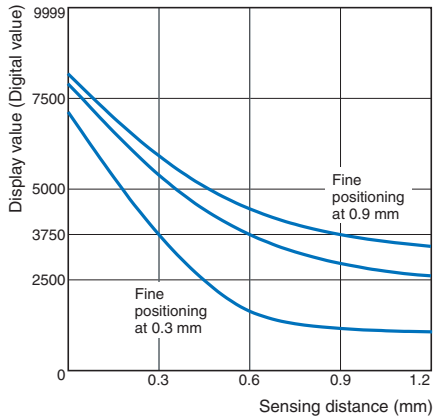
*6. When connected to an OMRON NJ-series Controller. For details, refer to the communication unit manual.

*7. The bank is not reset by the user reset function or saved by the user save function.

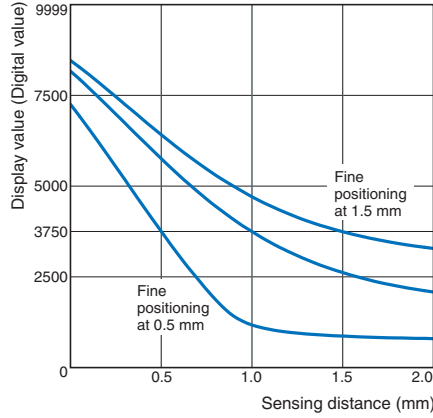
Engineering Data (Reference Value)

Sensing Distance vs. Display Values

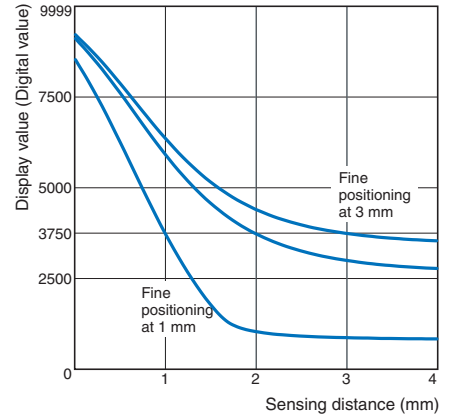
E2NC-EDR6-F



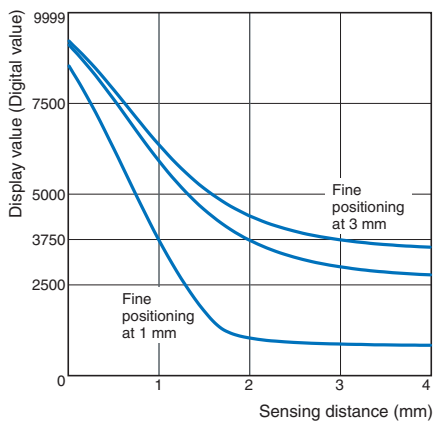
E2NC-ED01(-□)



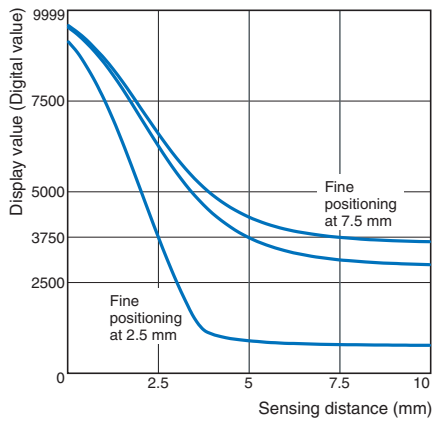
E2NC-ED02(-□)



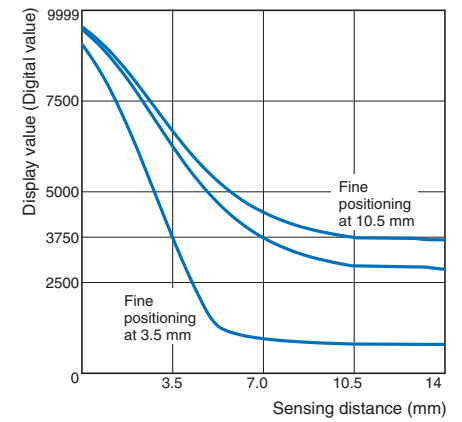
E2NC-EM02(-□)



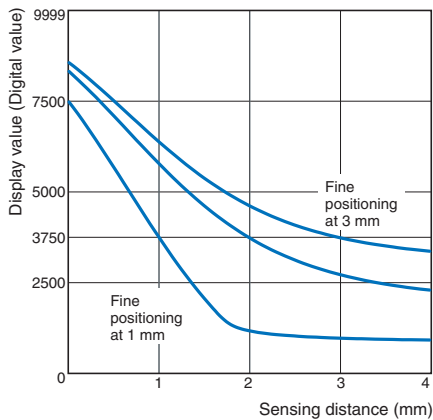
E2NC-EV05(-□)



E2NC-EM07M(-□)



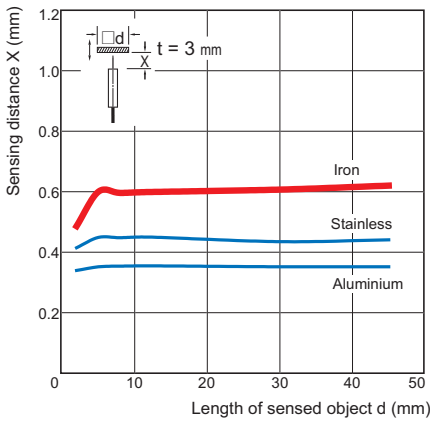
E2NC-EM02H



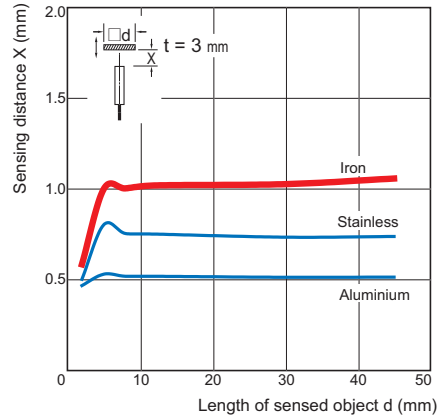
E2NC Series

Influence of Sensing Object Size and Material

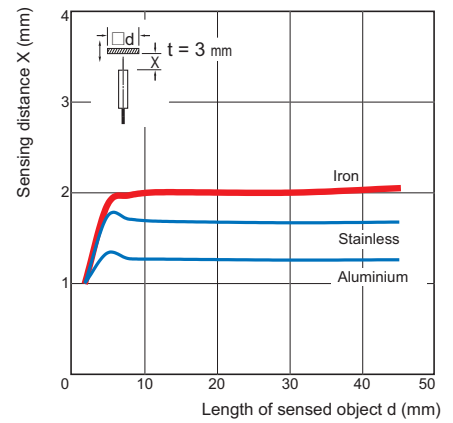
E2NC-EDR6-F



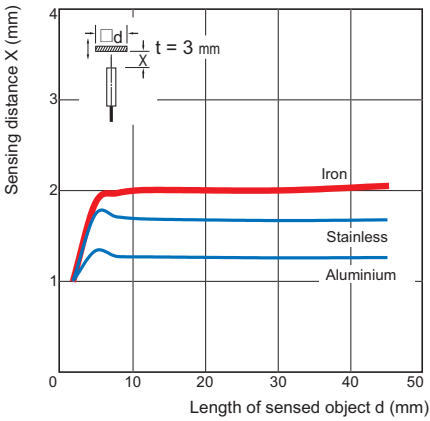
E2NC-ED01(-□)



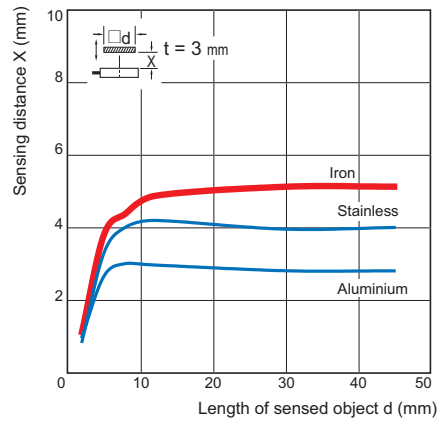
E2NC-EM02(-□)



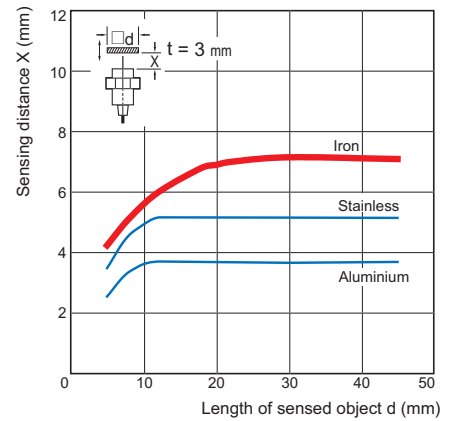
E2NC-ED02(-□)



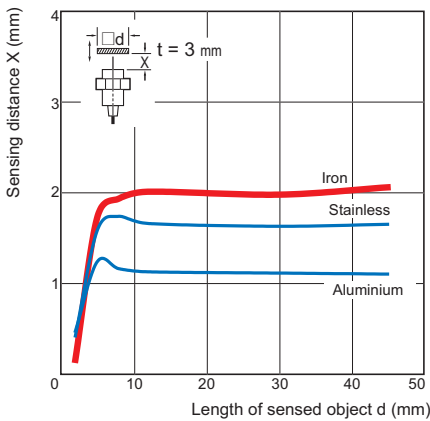
E2NC-EV05(-□)



E2NC-EM07M(-□)

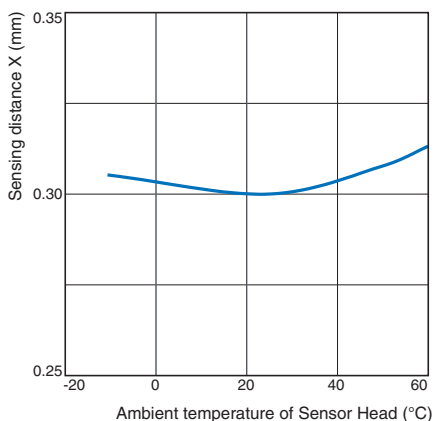


E2NC-EM02H

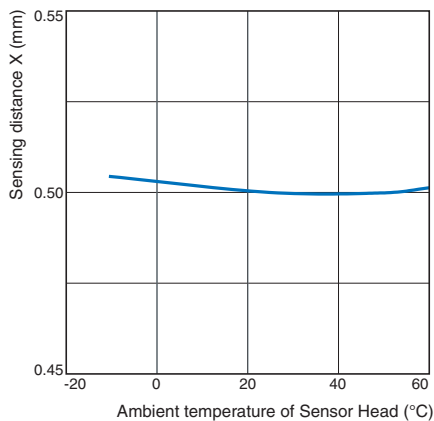


Influence of Sensor Head Temperature

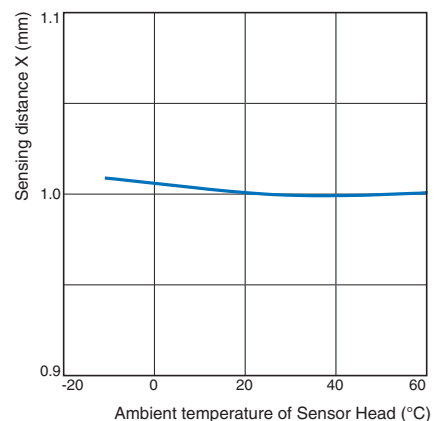
E2NC-EDR6-F



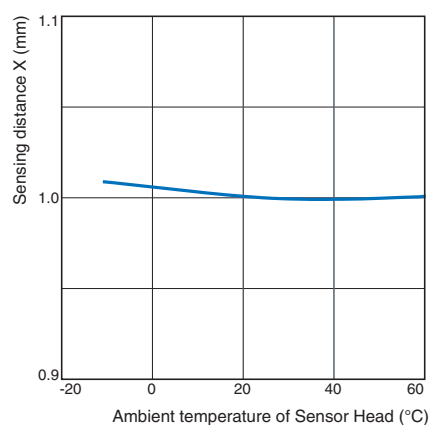
E2NC-ED01(-□)



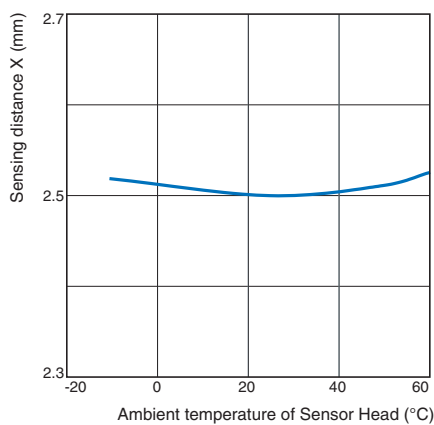
E2NC-ED02(-□)



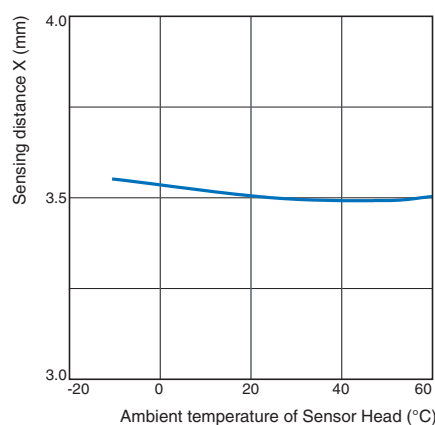
E2NC-EM02(-□)



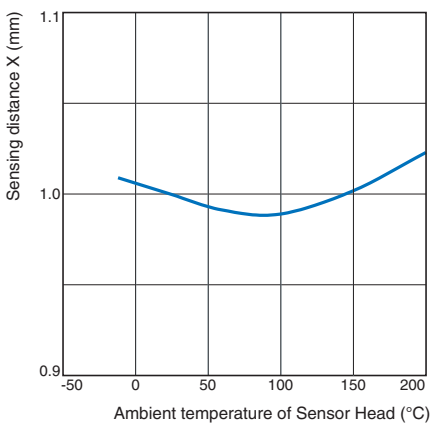
E2NC-EV05(-□)



E2NC-EM07M(-□)



E2NC-EM02H



E2NC Series

I/O Circuit Diagrams

NPN output

Model	Operation mode	Timing charts	NO/NC indicator	Output circuit
E2NC-EA21	NO (Normally open)		NO lit.	
	NC (Normally closed)		NC lit.	
E2NC-EA7TW	NO (Normally open)		NO lit.	
	NC (Normally closed)		NC lit.	
E2NC-EA7	NO (Normally open)		NO lit.	
	NC (Normally closed)		NC lit.	
E2NC-EA10	NO (Normally open)		NO lit.	
	NC (Normally closed)		NC lit.	

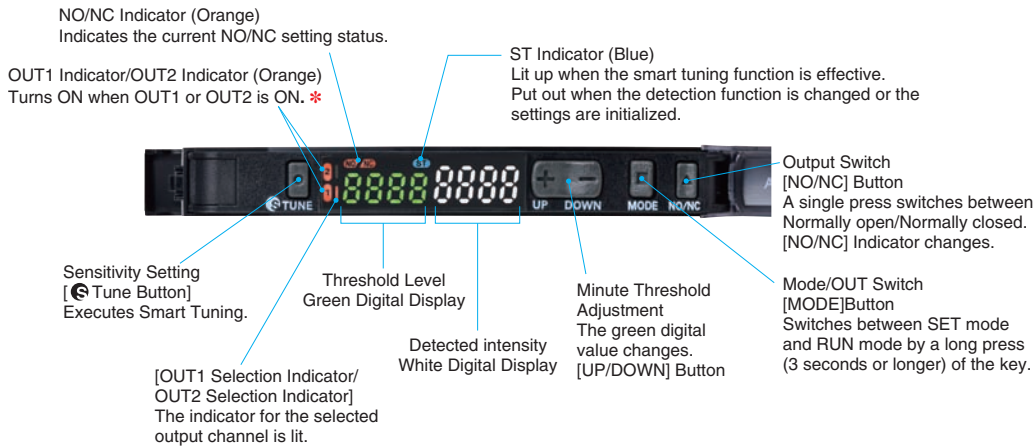
PNP output

Model	Operation mode	Timing charts	NO/NC indicator	Output circuit
E2NC-EA51	NO (Normally open)		NO lit.	
	NC (Normally closed)		NC lit.	
E2NC-EA9TW	NO (Normally open)		NO lit.	
	NC (Normally closed)		NC lit.	
E2NC-EA9	NO (Normally open)		NO lit.	
	NC (Normally closed)		NC lit.	
E2NC-EA40	NO (Normally open)		NO lit.	
	NC (Normally closed)		NC lit.	

E2NC Series

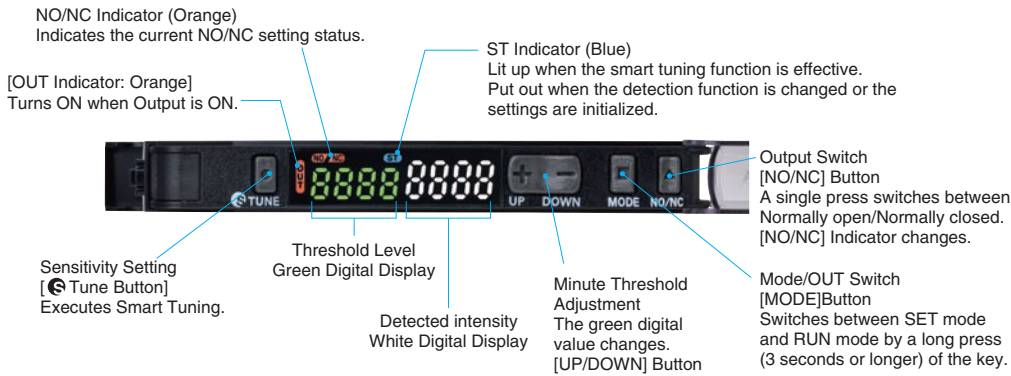
Nomenclature

E2NC-EA21/EA51/EA7TW/EA9TW/EA0/EA10/EA40



* Only OUT1 turns ON for output.


E2NC-EA7/EA9






Safety Precautions





Be sure to read the precautions for all models in the website at: <http://www.ia.omron.com/>.

Warning Indications

 WARNING	Warning level Indicates a potentially hazardous situation which, if not avoided, will result in minor or moderate injury, or may result in serious injury or death. Additionally there may be significant property damage.
Precautions for Safe Use	Supplementary comments on what to do or avoid doing, to use the product safely.
Precautions for Correct Use	Supplementary comments on what to do or avoid doing, to prevent failure to operate, malfunction or undesirable effect on product performance.

Meaning of Product Safety Symbols

	General prohibition Indicates the instructions of unspecified prohibited action.
	Caution, explosion Indicates the possibility of explosion under specific conditions.
	Caution, fire Indicates the possibility of fire under specific conditions.

 WARNING
<p>This product is not designed or rated for ensuring safety of persons either directly or indirectly. Do not use it for such purposes.</p> <div style="text-align: right;"></div>
<p>Do not use the product with voltage in excess of the rated voltage. Excess voltage may result in malfunction or fire.</p> <div style="text-align: right;"></div>
<p>Never use the product with an AC power supply. Otherwise, explosion may result.</p> <div style="text-align: right;"></div>

Precautions for Safe Use

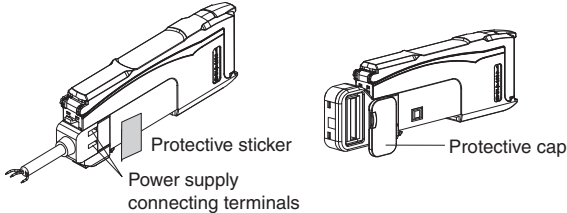
The following precautions must be observed to ensure safe operation of the product. Doing so may cause damage or fire.

- Do not install the product in the following locations.
 - (1) Locations subject to direct sunlight
 - (2) Locations subject to condensation due to high humidity
 - (3) Locations subject to corrosive gas
 - (4) Locations subject to vibration or mechanical shocks exceeding the rated values
 - (5) Locations subject to exposure to water, oil, chemicals
 - (6) Locations subject to steam
 - (7) Locations subject to strong magnetic field or electric field
- Do not use the product in environments subject to flammable or explosive gases.
- Do not use the product in any atmosphere or environment that exceeds the ratings.
- To secure the safety of operation and maintenance, do not install the product close to high-voltage devices and power devices.
- High-voltage lines and power lines must be wired separately from the product. Wiring them together or placing them in the same duct may cause induction, resulting in malfunction or damage.
- Do not apply any load exceeding the ratings. Doing so may cause damage or fire.
- Do not short the load. Doing so may cause damage or fire.
- Connect the load correctly.
- Do not miswire such as the polarity of the power supply.
- To use this device as connecting with each other, be sure to connect with the same power supply and turn ON the power simultaneously. Using a separate power supply will influence the functions when connecting the devices to use them.
- Do not use the product if the case is damaged.
- Burn injury may occur. The product surface temperature rises depending on application conditions, such as the ambient temperature and the power supply voltage. Attention must be paid during operation or cleaning.
- When setting the sensor, be sure to check safety such as by stopping the equipment.
- Be sure to turn off the power supply before connecting or disconnecting wires.
- Do not attempt to disassemble, repair, or modify the product in any way.
- When disposing of the product, treat it as industrial waste.
- Do not use the Sensor in water, rain, or outdoors.
- Process the unwired terminals so as not to contact other wiring or devices.
- Connect the Sensor Head correctly. Otherwise, it might be broken or catch fire.
- If power is supplied from an external power source to the sensor, excessive current flows to this product or sensor, so that the device might be broken or catch fire. Use this product as supplying power from it to the sensor.
- When connecting this device with a sensor, confirm product performance well before using the product.
- When connecting or disconnecting the connector, be sure to turn OFF the power supply first.

Precautions for Correct Use

Amplifier Units

- Be sure to mount the unit to the DIN track until it clicks.
- When using the Amplifier Units with Wire-saving Connectors, attach the protective stickers (provided with E3X-CN-series Connectors) on the unused power pins to prevent electrical shock and short circuiting. When using the Amplifier Units with Connectors for Communications Units, attach the protective caps (provided with E3NW-series Sensor Communications Unit).



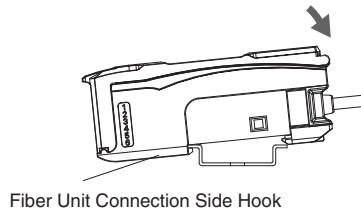
- The length for the cable extension must be 30 m or less. Be sure to use a cable of at least 0.3 mm² for extension.
- Do not apply the forces on the cord exceeding the following limits: Pull: 29.4N; torque: 0.1N·m; pressure: 20N; bending: 29.4N
- Always keep the protective cover in place when using the product. Not doing so may cause malfunction.
- It may take time until the measurement value become stable immediately after the power is turned on depending on use environment.
- The Mobile Console E3X-MC11, E3X-MC11-SV2 and E3XMC11-S cannot be connected.
- The Communication Unit E3X-DRT21-S, E3X-CRT and E3X-ECT cannot be connected.
- If you notice an abnormal condition such as a strange odor, extreme heating of the unit, or smoke, immediately stop using the product, turn off the power, and consult your dealer.
- Do not use thinner, benzene, acetone, and lamp oil for cleaning.
- When using Sensor Heads with free-cut cables, be sure to check the performance and resistance to electronic noise before use for the cable length between Preamplifiers and Amplifier Units.
- The amplifier unit uses EEPROM to save the configuration information. If memory rewrite count exceeds the limit (1,000,000 times), the memory error appears, in which case you must replace the amplifier unit. Memory data rewrite occurs when you perform zero reset, threshold change, tuning and so on.

Mounting the Amplifier Units

Mounting on DIN Track

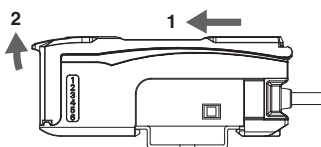
1. Let the hook on the Amplifier Unit's Fiber Unit connection side catch the track.
2. Push the unit until the hook clicks into place.

Note: DIN track (PFP-□N) is sold separately.



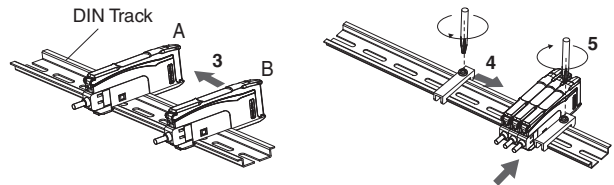
Removing from DIN Track

1. Push the unit in the direction 1.
2. Lift the unit in the direction of arrow 2 while performing step (1).



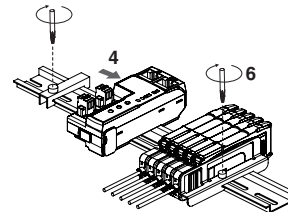
Joining Amplifier Units

1. Mount the Amplifier Units one at a time onto the DIN track.
2. When using a wire-saving connector, mount the master connector to A and slave connector to B.
3. Slide the Amplifier Unit until the Amplifier Unit is closely attached. (Arrow 3) (For the wire-saving connector type, be sure that a master connector and a slave connector, or a slave connector and a slave connector are connected.)
4. Use End Plates (PFP-M: separately sold) at the both ends of the grouped Amplifier Units to prevent them from separating due to vibration or other cause. (Arrow 4)
5. Tighten the screw on the End Plates using a driver. (Arrow 5)



Tighten the screw while pressing the End Plate.

If the Sensor Communications Unit is equipped with a cable, apply the separately sold end plate (E39-EP1) to tighten the screws of it with a screwdriver (Arrow 6).

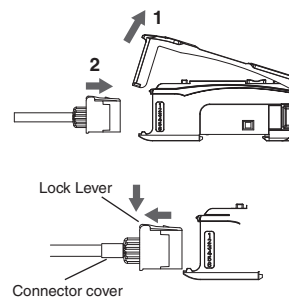


Note: 1. If there is any vibration, use the end plate even for the single body of the Amplifier Unit.

2. To install this device without connecting with the Amplifier Unit, seal the optical communication part on the side with light shielding tape.

Mounting the Sensor Heads

1. Open the protection cover.
2. Insert the Sensor Head, with the lock lever on its connector area facing upward, all the way into the connector port. To remove it, press and hold the lock lever then pull the Sensor Head out.

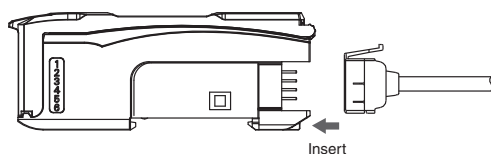


Note: Fix the connector part so as not to be exposed to vibration or impact. Be careful with inappropriate connection with another input unit.

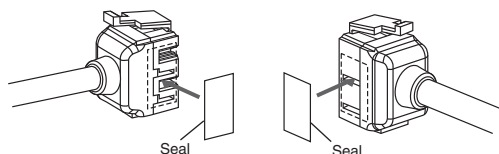
Amplifier Units with Wire-saving Connectors

Mounting Connectors

1. Insert the Master or Slave Connector into the Amplifier Unit until it clicks into place.



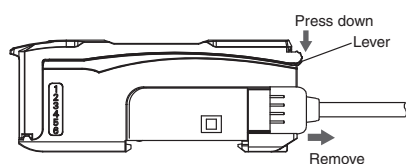
2. Join Amplifier Units together as required after all the Master and Slave Connectors have been inserted.
3. Attach the protector seals (provided as accessories) to the sides of master and slave connectors that are not connected.



Note: Attach the stickers to the sides with grooves.

Removing Connectors

1. Slide the slave Amplifier Unit for which the Connector is to be removed away from the rest of the group.
2. After the Amplifier Unit has been separated, press down on the lever on the Connector and remove it. (Do not attempt to remove Connectors without separating them from other Amplifier Units first.)



Sensor Heads

- Do not install the Sensor in the following locations.
 - (1) Locations where the ambient temperature exceeds the rated temperature range.
 - (2) Locations subject to rapid changes in temperature (causing condensation).
 - (3) Locations where the relative humidity exceeds the range of 35% to 85%.
 - (4) Locations subject to corrosive or flammable gases.
 - (5) Locations where dust, salt, or metallic powder accumulate on the Sensor.
 - (6) Locations subject to direct vibration or impact.
 - (7) Locations subject to direct sunlight or close to the heating apparatus.
 - (8) Locations subject to exposure to water, oil, chemicals, etc.
 - (9) Locations subject to strong electromagnetic or electrical fields.

Power Supply and Wiring

- (1) Be sure to connect terminals in correct polarization.
- (2) Separate sensor cord from high voltage or current line.

Warm-up

The digital display will slowly change until the circuits stabilize after the power is turned ON.

To ensure the product meets the ratings and specifications, leave the device for 30 minutes after the power is turned ON.

Maintenance and Inspection

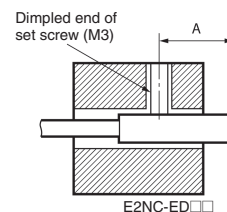
- (1) Be sure to turn OFF the power before adjusting, connecting, or disconnecting the Sensor Head.
- (2) Do not use thinner, benzine, acetone, or lamp oil to clean the Sensor Head or Amplifier Unit.

Mounting Sensor Heads

Mounting the Sensor Head

- The mounting dimensions for the cylindrical type(E2NC-ED□□) are shown in the table below.
Use a tightening torque of 0.2N·m max.

Model	Tightening range A
E2NC-EDR6-F	9 to 18 mm
E2NC-ED01□□	9 to 18 mm
E2NC-ED02□□	11 to 12 mm



- The tightening torque for the threaded type(E2NC-EM□□) are shown in the table below.

Model	Tightening torque
E2NC-EM02□□	15 N·m max.
E2NC-EM07M□□	15 N·m max.
E2NC-EM02H	5.9 N·m max.

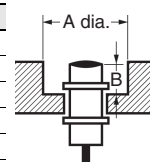
- The tightening torque for the flat type(E2NC-EV□□) is 0.5N·m max.
- The minimum-bending radius of the Sensor Head Cable is R8.

Influence of Surrounding Metal

- When embedding the Sensor Head within a metal object, allow the following spot facing.

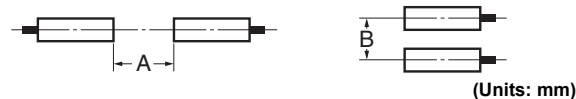
(Units: mm)

Model	Spot facing A	Protrusion B
E2NC-EDR6-F	3	0
E2NC-ED01□□	5.4	0
E2NC-ED02□□	8	0
E2NC-EM02□□	10	0
E2NC-EM07M□□	18	20
E2NC-EV05□□	14 × 30	4.8
E2NC-EM02H	12	0



Mutual Interference

- When installing two or more Sensor Heads face to face or side by side, ensure that the minimum distances given in the following table are maintained.
- The mutual interference prevention function using optical communications can be used for this sensor by setup of an amplifier unit.
The installation distance of the Sensor Heads when confirming a mutual interference prevention function is as follows.
Refer to instruction sheet of an Amplifier Unit for the setting method.



(Units: mm)

Model	Face to face A	Side by side B	When using mutual interference function	
			Face to face A	Side by side B
E2NC-EDR6-F	14	10	3.5	3.1
E2NC-ED01□□	45	20	9	5.4
E2NC-ED02□□	35	30	21	8
E2NC-EM02□□	35	30	21	10
E2NC-EM07M□□	140	120	35	18
E2NC-EV05□□	65	30	21	14
E2NC-EM02H	45	30	21	12

E2NC Series

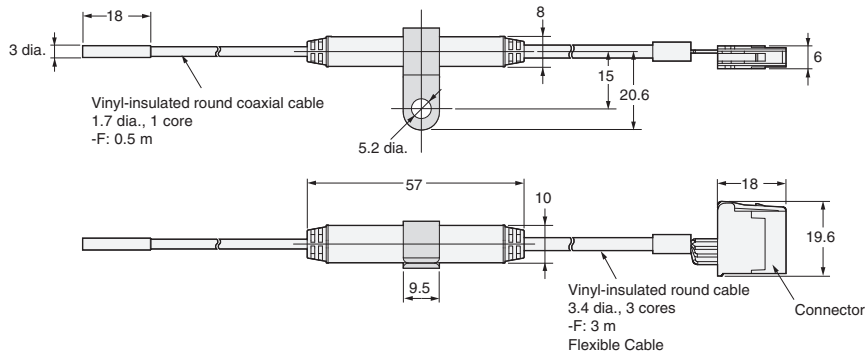
Dimensions

(Unit: mm)

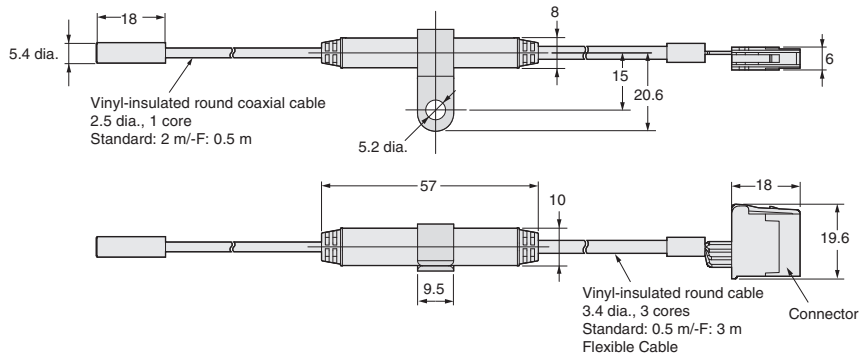
Tolerance class IT16 applies to dimensions in this data sheet unless otherwise specified.

Sensor Heads

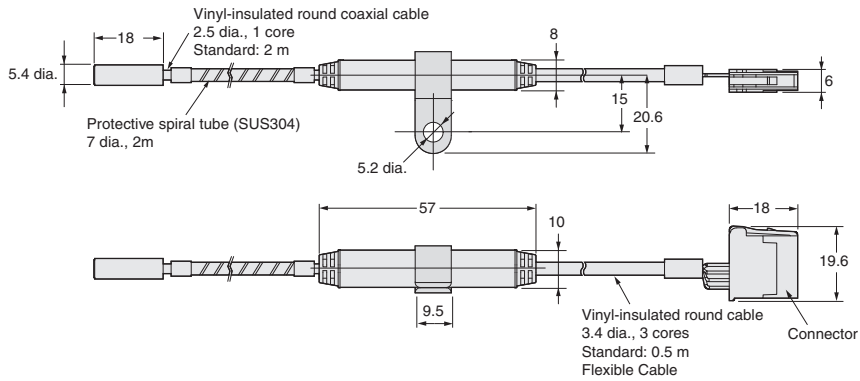
E2NC-EDR6-F



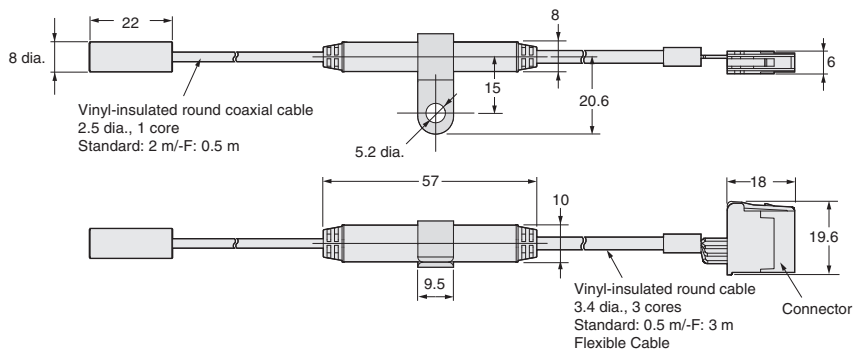
E2NC-ED01(-F)



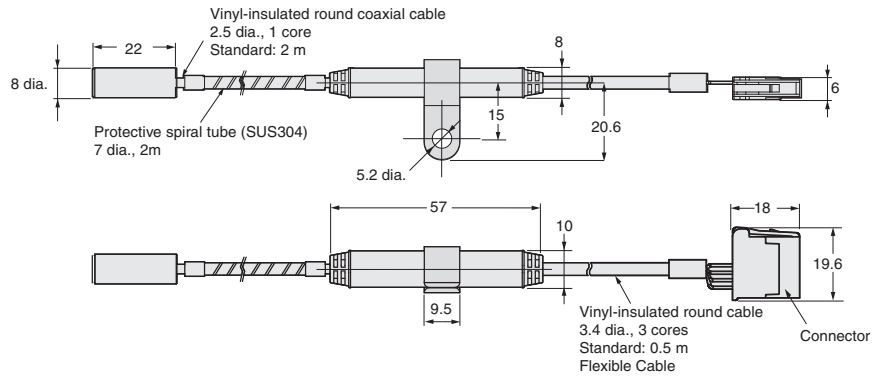
E2NC-ED01-S



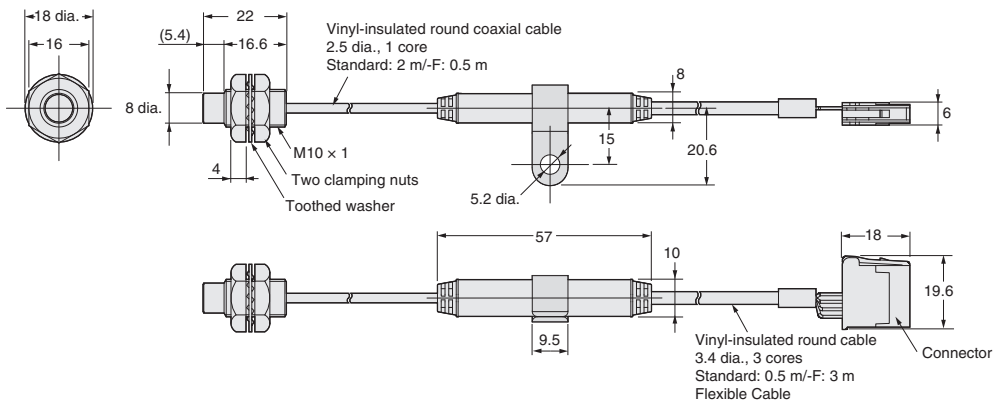
E2NC-ED02(-F)



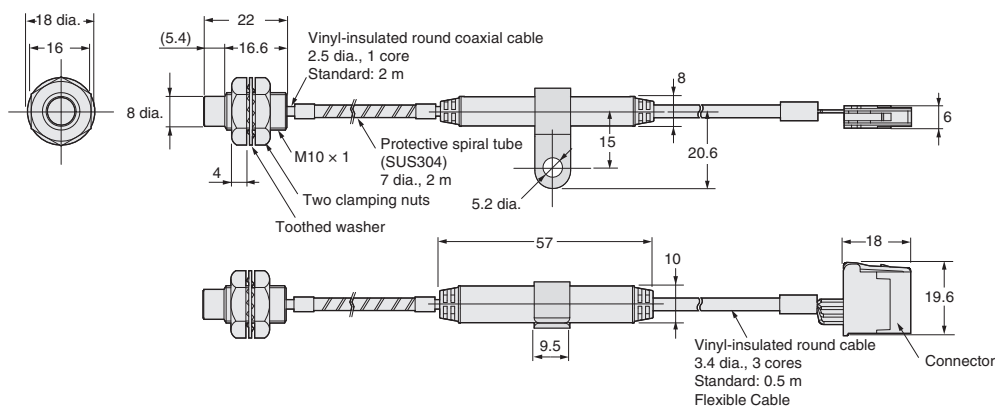
E2NC-ED02-S



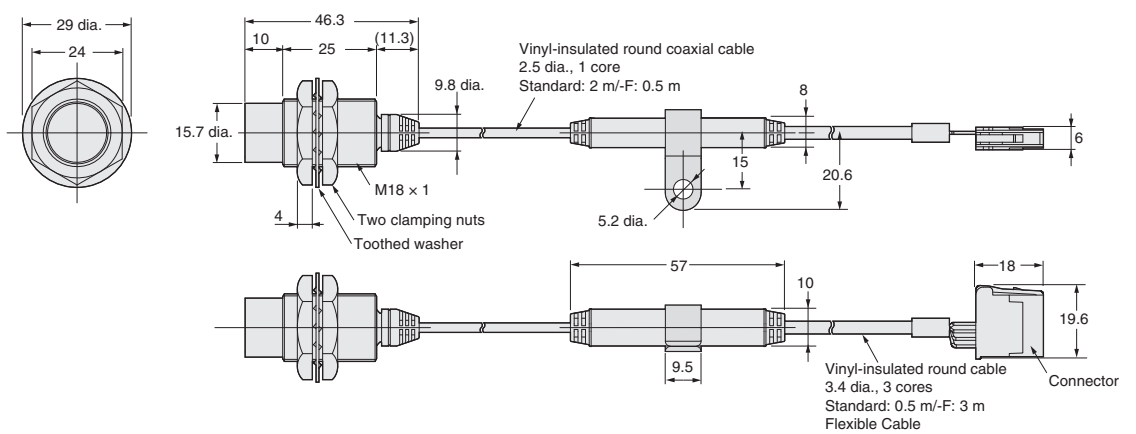
E2NC-EM02(-F)



E2NC-EM02-S

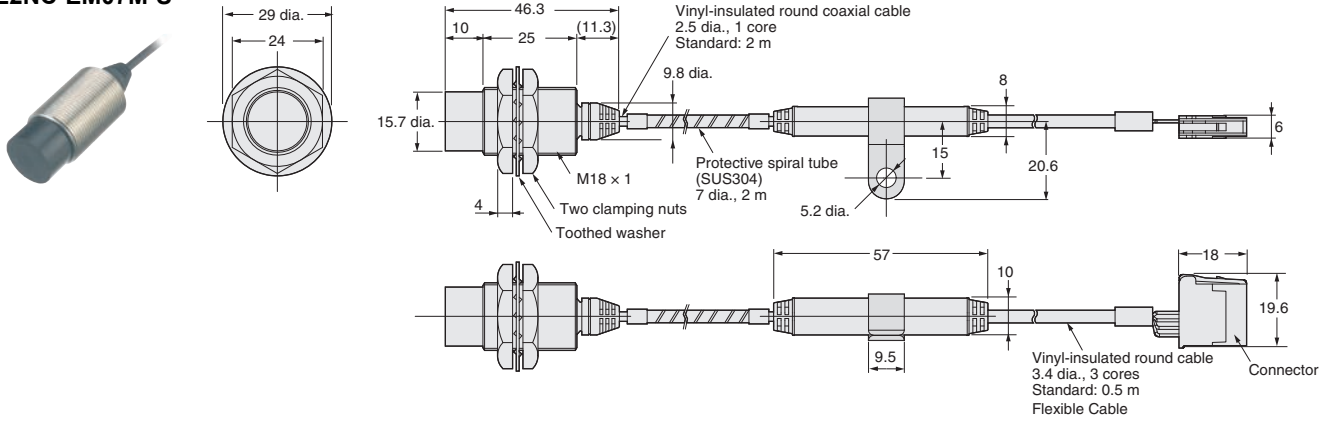


E2NC-EM07M(-F)

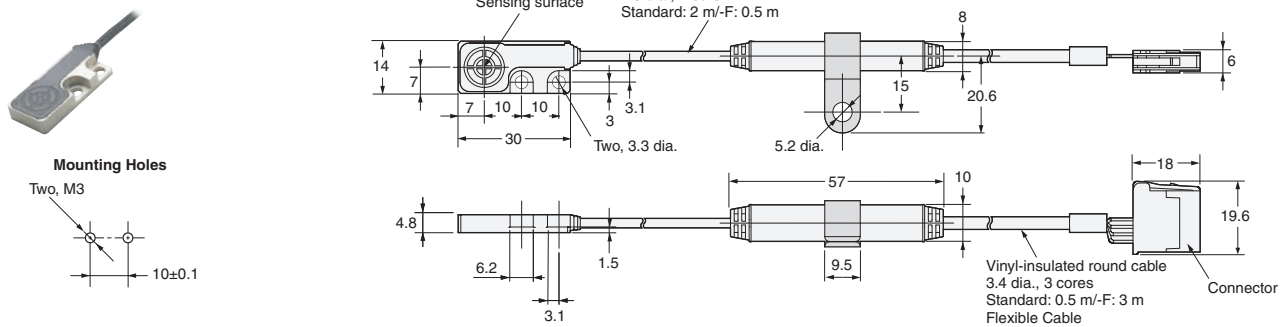


E2NC Series

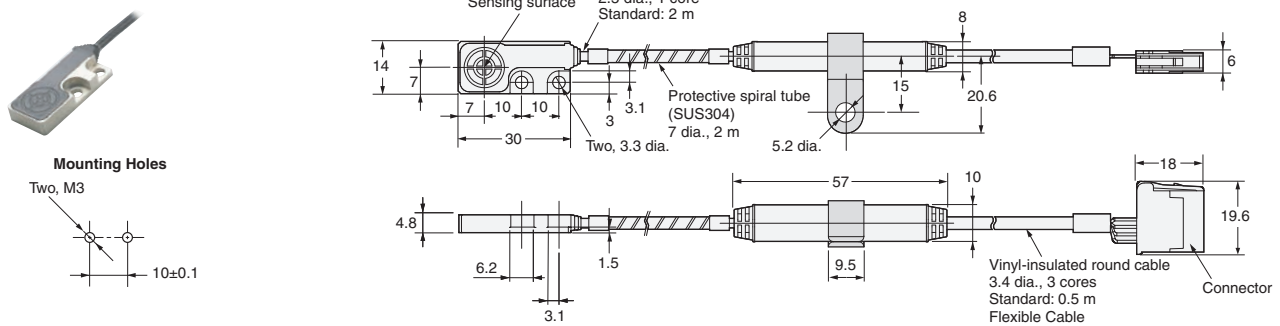
E2NC-EM07M-S



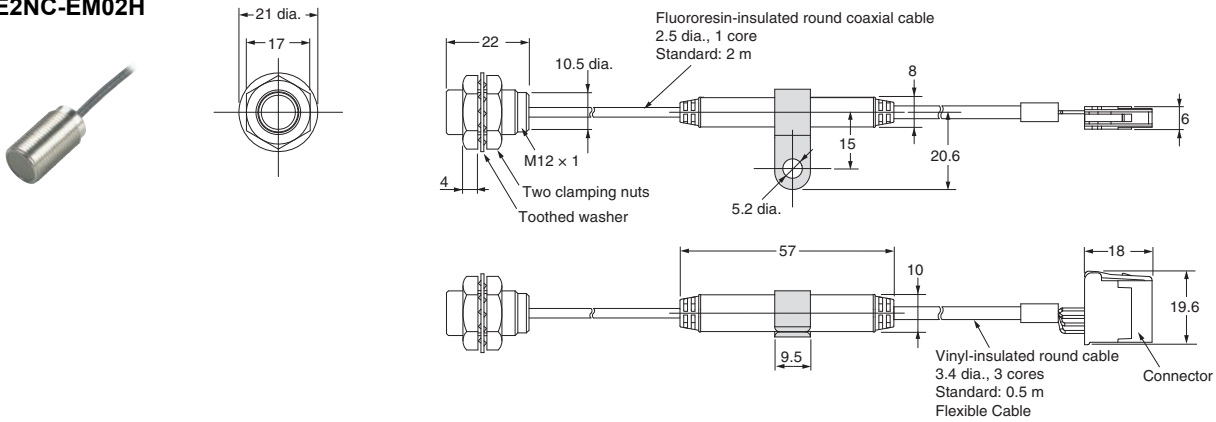
E2NC-EV05(-F)



E2NC-EV05-S



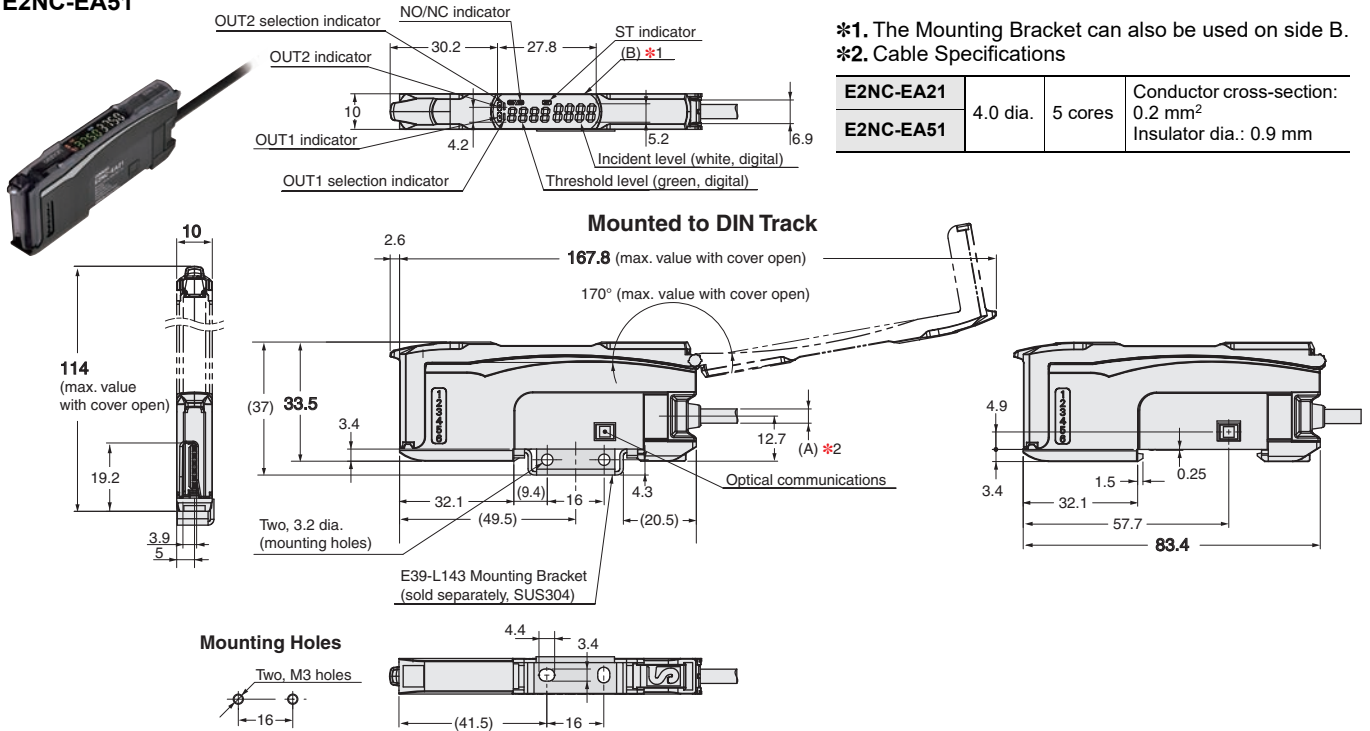
E2NC-EM02H



Amplifier Unit

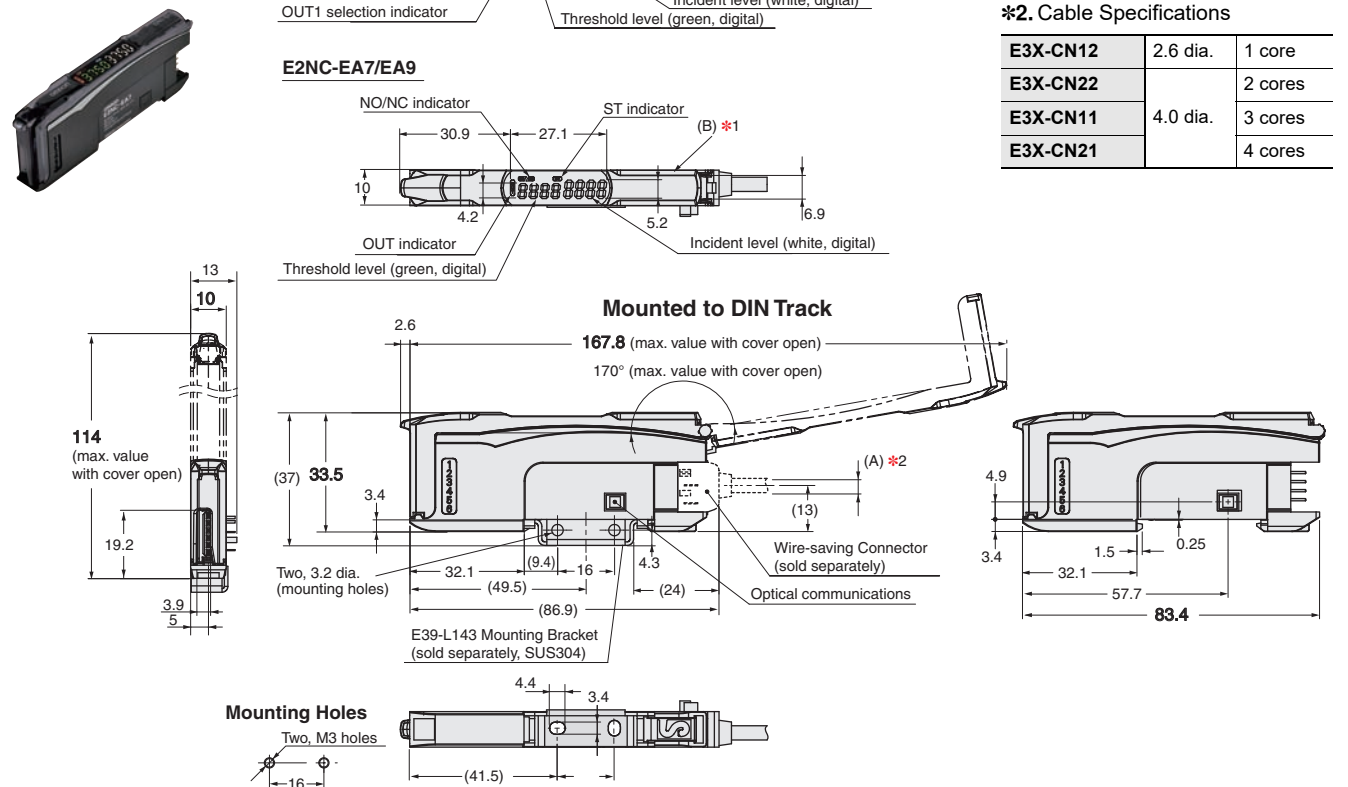
Pre-wired Amplifier Units

E2NC-EA21
E2NC-EA51



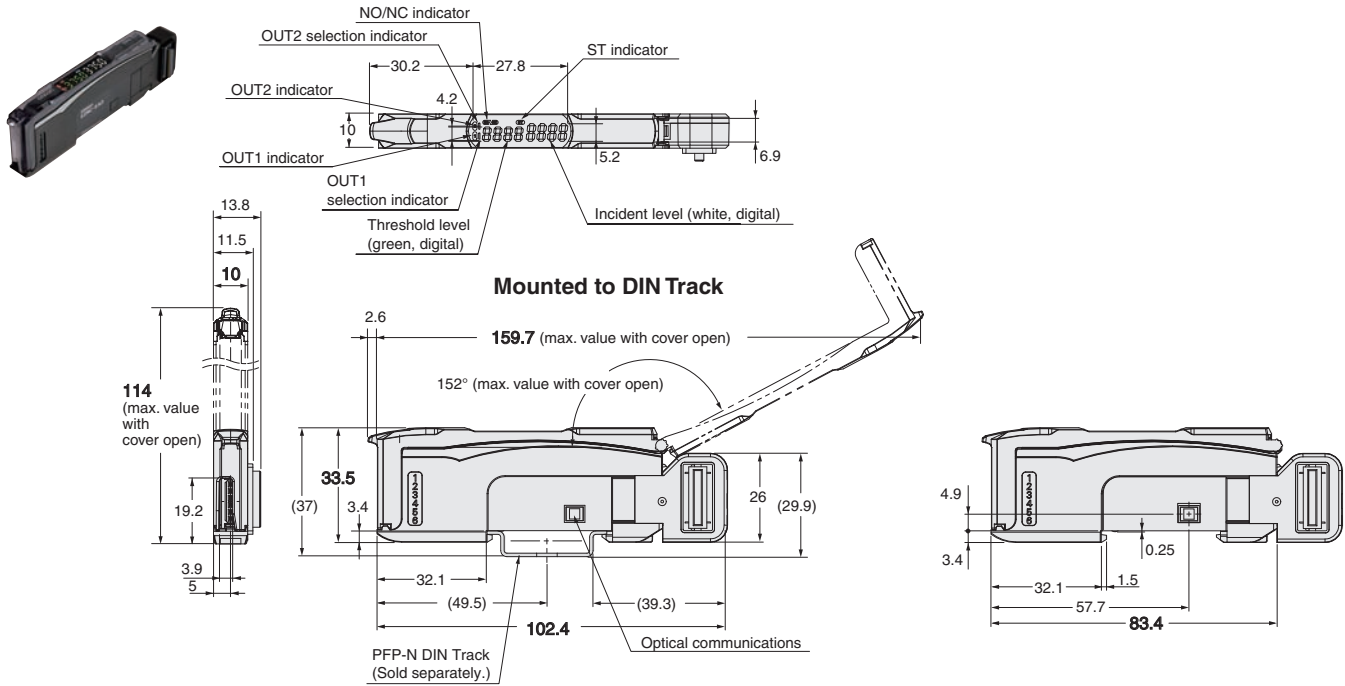
Amplifier Units with Wire-saving Connectors

E2NC-EA7TW
E2NC-EA9TW
E2NC-EA7
E2NC-EA9



E2NC Series

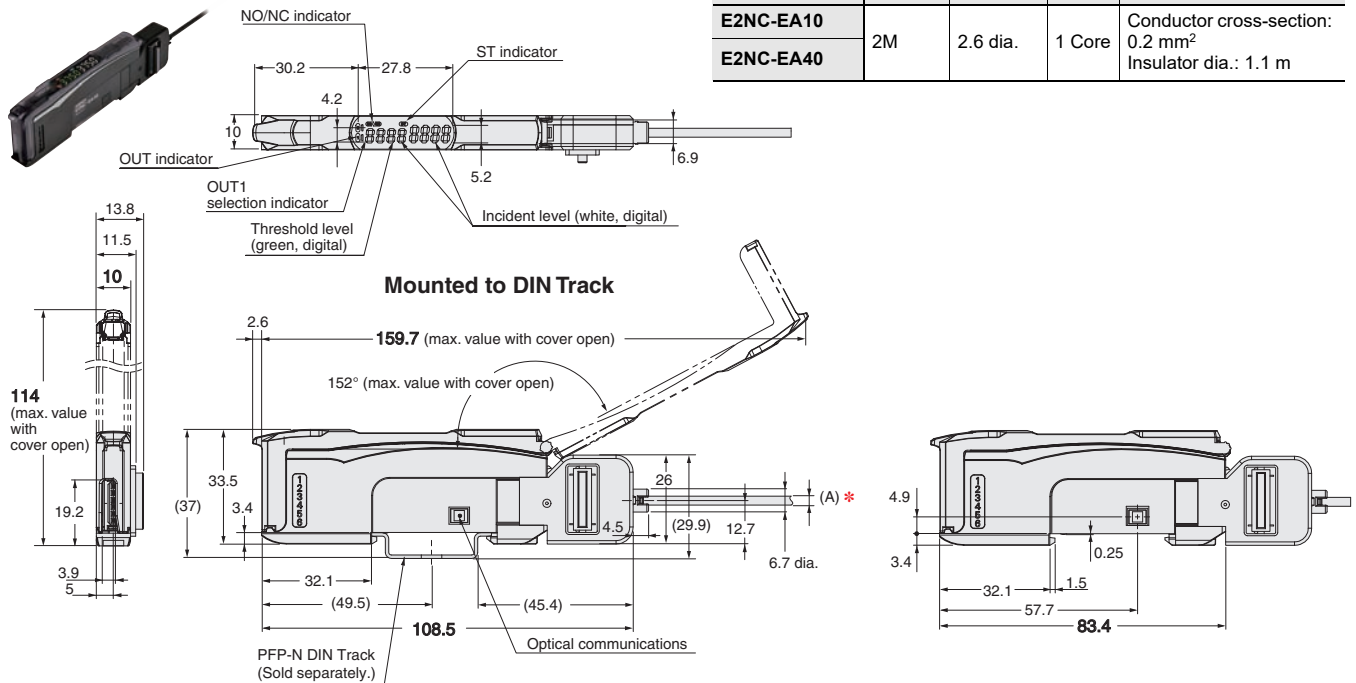
Amplifier Unit with Connector for Sensor Communications Unit E2NC-EA0



Amplifier Unit with Connector for Sensor Communications Unit (Pre-wired) E2NC-EA10 E2NC-EA40

* Cable Specifications

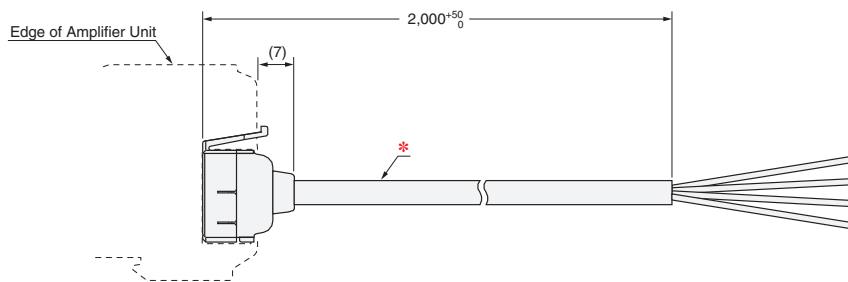
Model	Length	Diameter	Cores	Specifications
E2NC-EA10	2M	2.6 dia.	1 Core	Conductor cross-section: 0.2 mm ² Insulator dia.: 1.1 m
E2NC-EA40				



Accessories (Sold Separately)

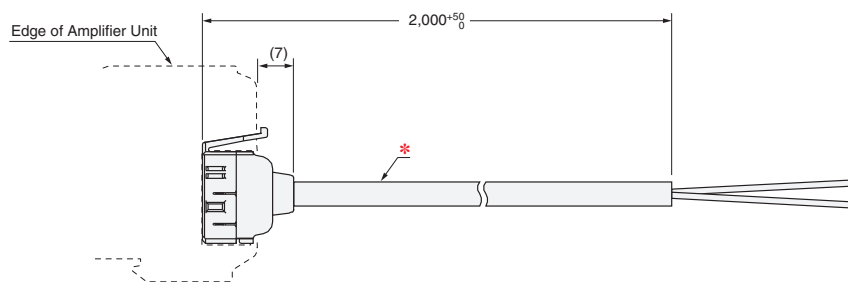
Wire-saving Connectors

Master Connector E3X-CN21



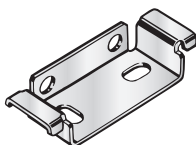
* E3X-CN21: 4-dia. cable with 4 conductors, Standard cable length: 2 m (Conductor cross-section: 0.2 mm² (AWG24), Insulator diameter: 1.1 mm)

Slave Connector E3X-CN22

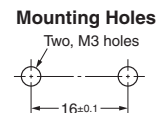
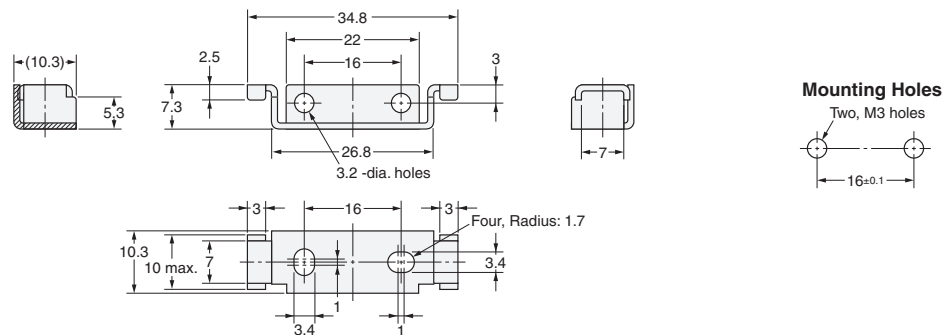


* E3X-CN22: 4-dia. cable with 2 conductors, Standard cable length: 2 m (Conductor cross-section: 0.2 mm² (AWG24), Insulator diameter: 1.1 mm)

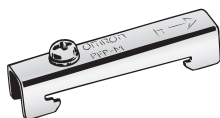
Mounting Bracket E39-L143



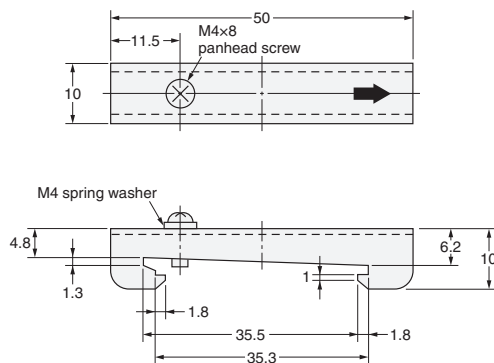
Material: Stainless steel (SUS304)



End Plate PFP-M



Materials: Iron, zinc plating

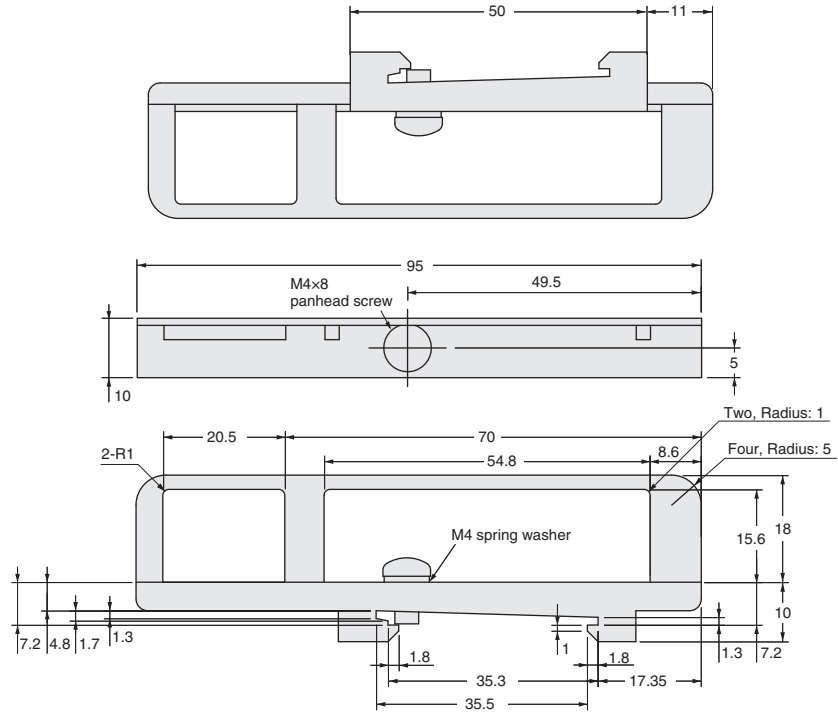


E2NC Series

End Plate E39-EP1



Materials: SUS304 CP



Terms and Conditions Agreement

Read and understand this catalog.

Please read and understand this catalog before purchasing the products. Please consult your OMRON representative if you have any questions or comments.

Warranties.

- (a) Exclusive Warranty. Omron's exclusive warranty is that the Products will be free from defects in materials and workmanship for a period of twelve months from the date of sale by Omron (or such other period expressed in writing by Omron). Omron disclaims all other warranties, express or implied.
- (b) Limitations. OMRON MAKES NO WARRANTY OR REPRESENTATION, EXPRESS OR IMPLIED, ABOUT NON-INFRINGEMENT, MERCHANTABILITY OR FITNESS FOR A PARTICULAR PURPOSE OF THE PRODUCTS. BUYER ACKNOWLEDGES THAT IT ALONE HAS DETERMINED THAT THE PRODUCTS WILL SUITABLY MEET THE REQUIREMENTS OF THEIR INTENDED USE.

Omron further disclaims all warranties and responsibility of any type for claims or expenses based on infringement by the Products or otherwise of any intellectual property right. (c) Buyer Remedy. Omron's sole obligation hereunder shall be, at Omron's election, to (i) replace (in the form originally shipped with Buyer responsible for labor charges for removal or replacement thereof) the non-complying Product, (ii) repair the non-complying Product, or (iii) repay or credit Buyer an amount equal to the purchase price of the non-complying Product; provided that in no event shall Omron be responsible for warranty, repair, indemnity or any other claims or expenses regarding the Products unless Omron's analysis confirms that the Products were properly handled, stored, installed and maintained and not subject to contamination, abuse, misuse or inappropriate modification. Return of any Products by Buyer must be approved in writing by Omron before shipment. Omron Companies shall not be liable for the suitability or unsuitability or the results from the use of Products in combination with any electrical or electronic components, circuits, system assemblies or any other materials or substances or environments. Any advice, recommendations or information given orally or in writing, are not to be construed as an amendment or addition to the above warranty.

See <http://www.omron.com/global/> or contact your Omron representative for published information.

Limitation on Liability: Etc.

OMRON COMPANIES SHALL NOT BE LIABLE FOR SPECIAL, INDIRECT, INCIDENTAL, OR CONSEQUENTIAL DAMAGES, LOSS OF PROFITS OR PRODUCTION OR COMMERCIAL LOSS IN ANY WAY CONNECTED WITH THE PRODUCTS, WHETHER SUCH CLAIM IS BASED IN CONTRACT, WARRANTY, NEGLIGENCE OR STRICT LIABILITY.

Further, in no event shall liability of Omron Companies exceed the individual price of the Product on which liability is asserted.

Suitability of Use.

Omron Companies shall not be responsible for conformity with any standards, codes or regulations which apply to the combination of the Product in the Buyer's application or use of the Product. At Buyer's request, Omron will provide applicable third party certification documents identifying ratings and limitations of use which apply to the Product. This information by itself is not sufficient for a complete determination of the suitability of the Product in combination with the end product, machine, system, or other application or use. Buyer shall be solely responsible for determining appropriateness of the particular Product with respect to Buyer's application, product or system. Buyer shall take application responsibility in all cases.

NEVER USE THE PRODUCT FOR AN APPLICATION INVOLVING SERIOUS RISK TO LIFE OR PROPERTY OR IN LARGE QUANTITIES WITHOUT ENSURING THAT THE SYSTEM AS A WHOLE HAS BEEN DESIGNED TO ADDRESS THE RISKS, AND THAT THE OMRON PRODUCT(S) IS PROPERLY RATED AND INSTALLED FOR THE INTENDED USE WITHIN THE OVERALL EQUIPMENT OR SYSTEM.

Programmable Products.

Omron Companies shall not be responsible for the user's programming of a programmable Product, or any consequence thereof.

Performance Data.

Data presented in Omron Company websites, catalogs and other materials is provided as a guide for the user in determining suitability and does not constitute a warranty. It may represent the result of Omron's test conditions, and the user must correlate it to actual application requirements. Actual performance is subject to the Omron's Warranty and Limitations of Liability.

Change in Specifications.

Product specifications and accessories may be changed at any time based on improvements and other reasons. It is our practice to change part numbers when published ratings or features are changed, or when significant construction changes are made. However, some specifications of the Product may be changed without any notice. When in doubt, special part numbers may be assigned to fix or establish key specifications for your application. Please consult with your Omron's representative at any time to confirm actual specifications of purchased Product.

Errors and Omissions.

Information presented by Omron Companies has been checked and is believed to be accurate; however, no responsibility is assumed for clerical, typographical or proofreading errors or omissions.

Note: Do not use this document to operate the Unit.

OMRON Corporation Industrial Automation Company

Kyoto, JAPAN

Contact : www.ia.omron.com

Regional Headquarters

OMRON EUROPE B.V.

Wegalaan 67-69, 2132 JD Hoofddorp
The Netherlands
Tel: (31) 2356-81-300 Fax: (31) 2356-81-388

OMRON ELECTRONICS LLC

2895 Greenspoint Parkway, Suite 200
Hoffman Estates, IL 60169 U.S.A.
Tel: (1) 847-843-7900 Fax: (1) 847-843-7787

OMRON ASIA PACIFIC PTE. LTD.

438B Alexandra Road, #08-01/02 Alexandra
Technopark, Singapore 119968
Tel: (65) 6835-3011 Fax: (65) 6835-3011

OMRON (CHINA) CO., LTD.

Room 2211, Bank of China Tower,
200 Yin Cheng Zhong Road,
PuDong New Area, Shanghai, 200120, China
Tel: (86) 21-6023-0333 Fax: (86) 21-5037-2388

Authorized Distributor:

©OMRON Corporation 2018-2023 All Rights Reserved.
In the interest of product improvement,
specifications are subject to change without notice.

CSM_7_1

Cat. No. E473-E1-03 1123 (0118)