

PowerProx Analog - WTT12L-Axxx

MultiTask photoelectric sensor

SICK
Sensor Intelligence.



PowerProx Analog – WTT12L-Axxx

MultiTask photoelectric sensor

SICK
Sensor Intelligence.



de
en
es
fr
it
ja
pt
ru
zh

Described product

PowerProx Small Analog - WTT12L-Axxx

Manufacturer

SICK AG
Erwin-Sick-Str. 1
79183 Waldkirch
Germany

Legal information

This work is protected by copyright. Any rights derived from the copyright shall be reserved for SICK AG. Reproduction of this document or parts of this document is only permissible within the limits of the legal determination of Copyright Law. Any modification, abridgment or translation of this document is prohibited without the express written permission of SICK AG.

The trademarks stated in this document are the property of their respective owner.

© SICK AG. All rights reserved.

Original document




This document is an original document of SICK AG.




Contents

| | | |
|----------|--|-----------|
| 1 | General safety notes..... | 4 |
| 2 | Notes on UL approval..... | 4 |
| 3 | Product description..... | 4 |
| | 3.1 Intended use..... | 4 |
| | 3.2 Dimensional drawing..... | 5 |
| 4 | Commissioning..... | 6 |
| | 4.1 Check the application conditions:..... | 6 |
| | 4.2 Mounting..... | 7 |
| | 4.3 Electronics..... | 7 |
| | 4.4 Alignment..... | 8 |
| 5 | Configuration..... | 8 |
| | 5.1 Adjustment..... | 8 |
| 6 | Troubleshooting..... | 10 |
| | 6.1 Troubleshooting..... | 10 |
| | 6.2 Table: Fault diagnosis..... | 10 |
| 7 | Technical data..... | 10 |
| 8 | Disassembly and disposal..... | 12 |
| 9 | Maintenance..... | 12 |

1 General safety notes

- Read the operating instructions before commissioning.
-  Connection, mounting, and configuration may only be performed by trained specialists.
-  Not a safety component in accordance with the EU Machinery Directive.
-  When commissioning, protect the device from moisture and contamination.
- These operating instructions contain information required during the life cycle of the sensor.

| | |
|--|------------|
| LASER CLASS 1 | |
|  | Laser 1 |
| EN/IEC 60825-1:2014 IEC60825-1:2007 | |
| Maximum pulse power < 20 mW Puls length: 5.3 µs Wavelength: 940 nm | |
| Complies with 21 CFR 1040.10 and 1040.11 except for deviations pursuant to Laser Notice No. 50, dated June 24, 2007 | |



ATTENTION

WARNING: Interruption, manipulation or incorrect use can lead to hazardous exposure due to laser radiation.

2 Notes on UL approval

The device must be supplied by a Class 2 source of supply.

UL Environmental Rating: Enclosure type 1

3 Product description

3.1 Intended use

The WTT12L-Axxxx is an opto-electronic photoelectric proximity sensor with analog distance value output (referred to as “sensor” in the following) for the optical, non-contact detection of objects. If the product is used for any other purpose or modified in any way, any warranty claim against SICK AG shall become void.

3.2 Dimensional drawing

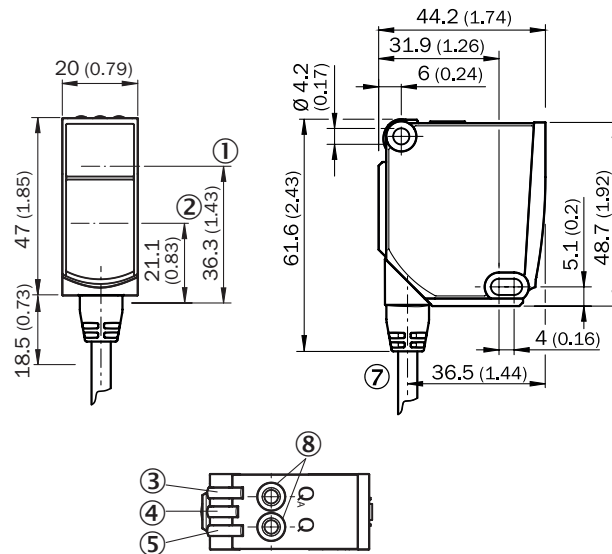


Figure 1: WTT12L-A1xxx / -A3xxx

- ① Center of optical axis, sender
- ② Center of optical axis, receiver
- ③ LED indicator yellow: status of analog output
- ④ LED indicator green: supply voltage active
- ⑤ Yellow LED indicator: Switching output
- ⑥ Mounting hole D4.2 mm
- ⑦ Cable outlet
- ⑧ Single teach-in button

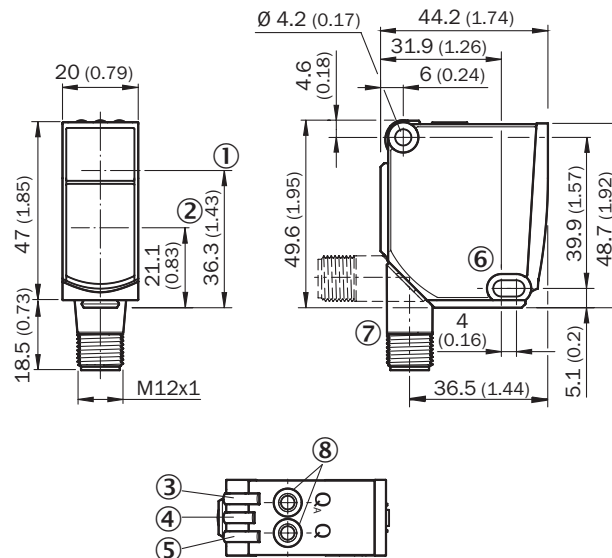


Figure 2: WTT12L-A2xxx

- ① Center of optical axis, sender
- ② Center of optical axis, receiver
- ③ LED indicator yellow: status of analog output
- ④ LED indicator green: supply voltage active
- ⑤ Yellow LED indicator: Switching output

- ⑥ Mounting hole D4.2 mm
- ⑦ Male connector, M12, 5-pin
- ⑧ Single teach-in button

4 Commissioning

4.1 Check the application conditions:

Analog output:

Refer to Table [Technical data](#) and Diagram H3, H4 for the accuracy specifications of the analog output.

Switching output:

Adjust the sensing range and distance to the object or background and the remission capability of the object according to the corresponding diagram [H1, H2] (x = sensing range, y = minimum distance between the object and background in mm (object remission / background remission)). Remission: 6% = black, 90% = white (referring to standard white as per DIN 5033).

The minimum distance (= y) for background suppression can be read from diagram [H1①] as follows:

Example: x = 1,000 mm, y = 25 mm. That is, the background is suppressed at a distance of > 25 mm from the sensor.

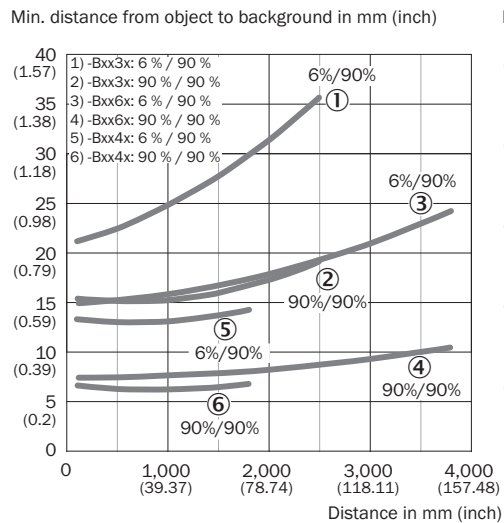


Figure: H

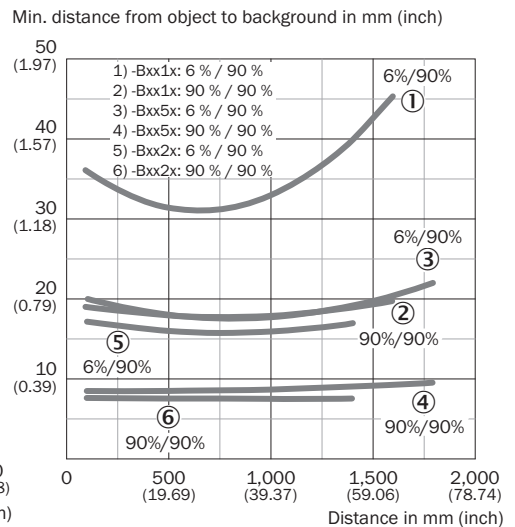


Figure: H-2

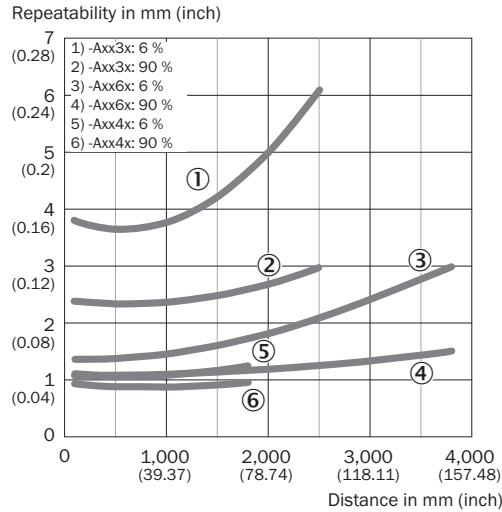


Figure: H-3

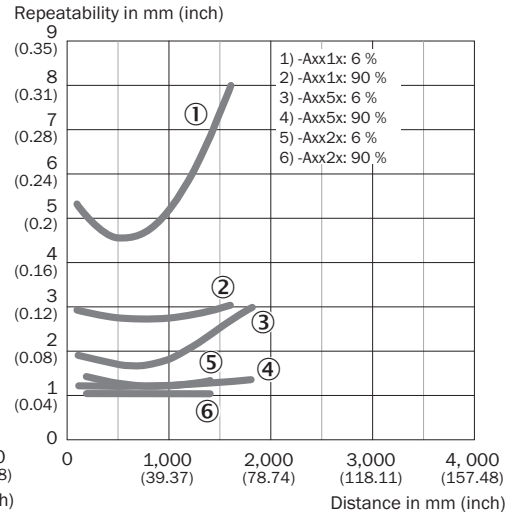


Figure: H-4

4.2 Mounting

Mount the sensor using a suitable mounting bracket (see the SICK range of accessories).

Note the sensor's maximum permissible tightening torque of 0,8 Nm.

Note the preferred direction of the object relative to the sensor [see C].

4.3 Electronics

The sensors must be connected in a voltage-free state ($U_V = 0\text{ V}$). The information in the graphics [B] must be observed, depending on the connection type:

- Male connector connection: pin assignment
- Cable: wire color

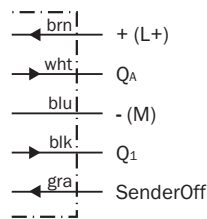


Figure: B: -A15X3

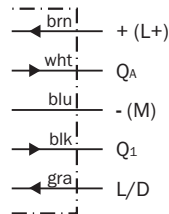


Figure: B-3: -A15X7

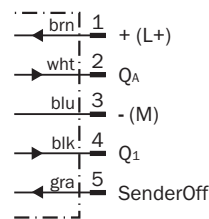


Figure: B-2: -A25X3/ -A35X3

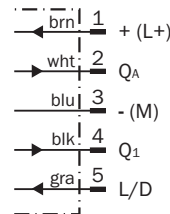


Figure: B-4: -A25X7 / -A35X7

Only apply voltage/switch on the voltage supply ($U_V > 0\text{ V}$) once all electrical connections have been established. The green LED indicator lights up on the sensor.

Explanations of the connection diagram (Graphic B):

SenderOff = switch-off of sender LED, high-active

L/D = light/dark switch

4.4 Alignment

Align the sensor with the object. Select the position so that the red emitted light beam hits the center of the object. You must ensure that the optical opening (front screen) of the sensor is completely clear [D]. We recommend making the adjustments using an object with a low remission.

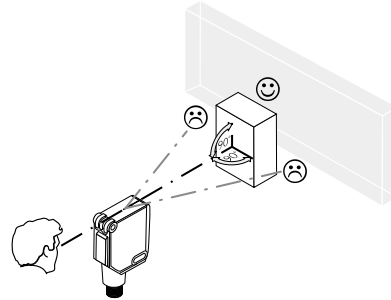


Figure: D

5 Configuration

5.1 Adjustment

Perform configuration:

a) Setting the analog output

The analog output is configured as follows at the factory:

4 mA = 100 mm

20 mA = maximum sensing range (depending on type)

The setting can be adapted to the application using the teach-in button Q_A (see Graphics E and G). Do not operate the teach-in button using sharp objects. The teach sequence and object distance define the characteristic curve of the analog output. Keep the object in the beam path. Press and hold the teach-in button Q_A for > 1 s until the left-hand yellow LED starts to flash, then release the button. The LED will continue to flash. The current distance to the object is assigned to the 4 mA (0.05 V) value. Then move the object. Press the teach-in button Q_A again for > 1 s until the left-hand yellow LED stops flashing. The distance to the object is measured and assigned to the 20 mA (10V) value. A rising or falling edge is produced depending on whether the object is moved from distant to close or the other way round.

The analog output can be switched between current and voltage output (see Graphic J). To do this, press and hold the teach-in button Q_A for > 10 s until the left-hand yellow LED and the green LED flash alternately. Then release the button. The green LED will continue to flash. The left-hand yellow LED will light up depending on whether the sensor is in current or voltage mode. To switch between the modes, press the teach-in button Q_A briefly. If no button is pressed for > 10 s, the sensor will save the current mode and exit the setting menu.

b) Setting the sensing range

The sensing range is set by pressing the teach-in button Q for > 1 s (see Graphic F). Do not operate the teach-in button using sharp objects. We recommend placing the object within the sensing range. Once the sensing range has been adjusted, the object is removed from the path of the beam, which causes the background to be suppressed and the switching output to change (see Graphic C).

c) Setting via SOPAS and transferring the settings with the SICK MemoryStick

Alternatively, the sensor can be configured using SICK's SOPASsoftware. The SICK Memory Stick accessory (IOLP2ZZ-M3201, partnumber 1064290) can also be used to transfer the settings from onesensor to another. If you have any questions, please contact your salesrepresentative.

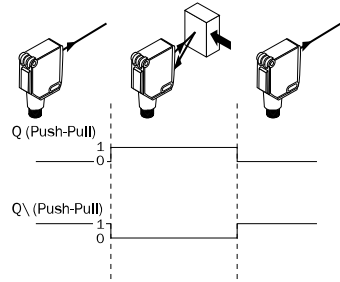


Figure: C

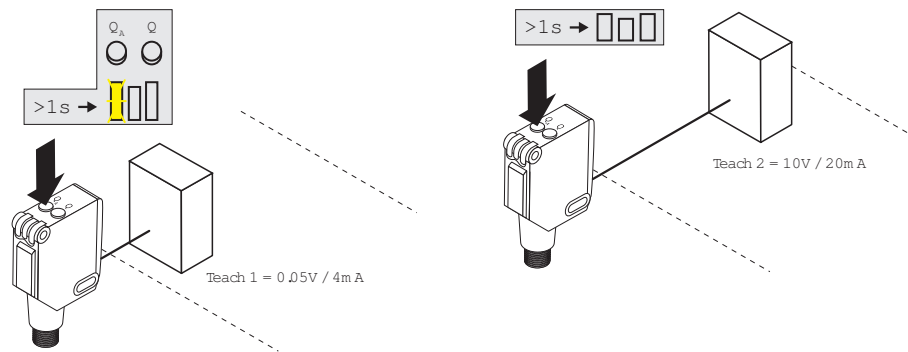


Figure: E

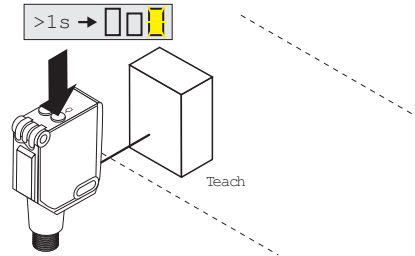


Figure 3: F

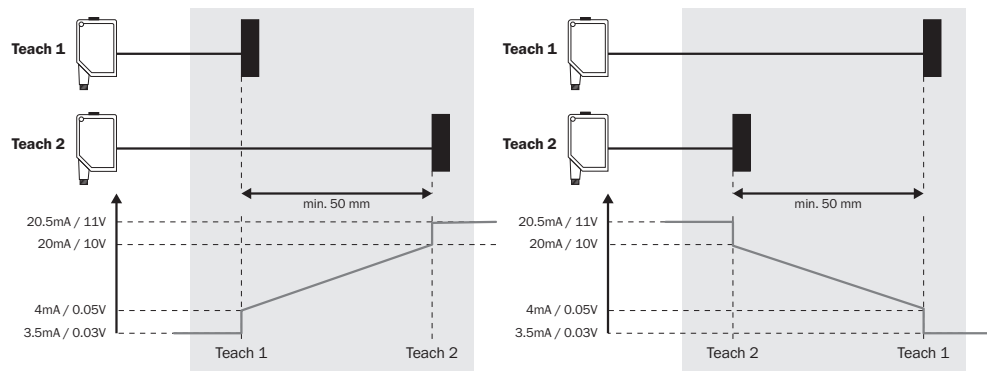


Figure 4: G

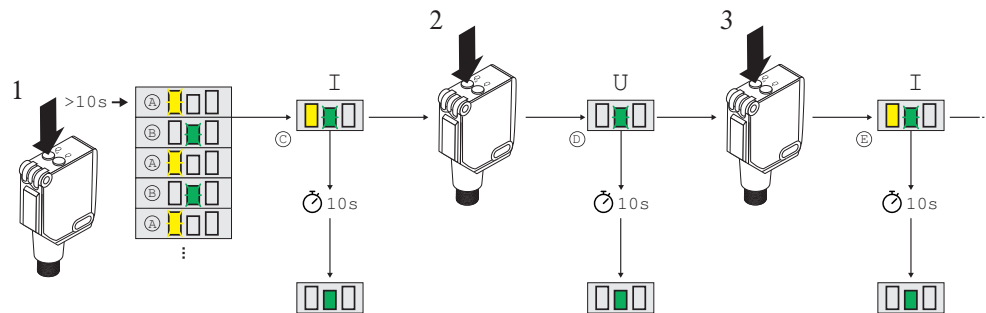


Figure 5: J

6 Troubleshooting

6.1 Troubleshooting

The Troubleshooting table indicates measures to be taken if the sensor stops working.

6.2 Table: Fault diagnosis

| LED indicator/fault pattern | Cause | Measures |
|---|---|--|
| Green LED does not light up | No voltage or voltage below the limit values | Check the power supply, check all electrical connections (cables and plug connections) |
| Green LED does not light up | Voltage interruptions | Ensure there is a stable power supply without interruptions |
| Green LED does not light up | Sensor is faulty | If the power supply is OK, replace the sensor |
| Green LED lights up, no output signal when object is detected | SenderOff Input is not connected properly | See the note on connecting the SenderOff-Input. |
| Yellow LEDs flash at the same time | The sensor is not ready for operation. The sensor will be in the warming-up phase at low ambient temperatures. The sensor will have shut down at excessively high ambient temperatures. | At low ambient temperatures, wait until the sensor has warmed up. Ensure the sensor cools down at excessively high ambient temperatures. |
| Yellow LED flashes (only briefly) | Teach-in mode | Check the teach-in mode |
| rechte gelbe LED leuchtet, kein Objekt im Strahlengang | Distance between the sensor and the background is too short | Reduce the sensing range |
| Object is in the path of the beam, yellow LED does not light up | Distance between the sensor and the object is too long or sensing range is set too short | Increase the sensing range |

7 Technical data

| | -Axx1x | -Axx2x | -Axx3x | -Axx4x | -Axx5x | -Axx6x |
|------------------------------|---------------------|---------------------|---------------------|-----------------|-----------------|-----------------|
| Laser class | 1 | 1 | 1 | 1 | 1 | 1 |
| Light spot diameter/distance | < 11.0 mm / 1600 mm | < 10.0 mm / 1400 mm | < 14.0 mm / 2500 mm | <12.0 / 1800 mm | <12.0 / 1800 mm | <12.0 / 3800 mm |

| | -Axx1x | -Axx2x | -Axx3x | -Axx4x | -Axx5x | -Axx6x |
|---|--|--|--|--|--|--|
| Switching output (max. output current $I_{\max.}$) | 1x PUSH/ PULL: PNP/NPN (50 mA) | 1x PUSH/ PULL: PNP/NPN (50 mA) | 1x PUSH/ PULL: PNP/NPN (50 mA) | 1x PUSH/ PULL: PNP/NPN (50 mA) | 1x PUSH/ PULL: PNP/NPN (50 mA) | 1x PUSH/ PULL: PNP/NPN (50 mA) |
| Sensing range | 100 ... 1600 mm ¹⁾ | 100 ... 1400 mm ¹⁾ | 100 ... 2500 mm ¹⁾ | 100 ... 1800 ¹⁾ | 100 ... 1800 ¹⁾ | 100 ... 3800 ¹⁾ |
| Sensing range max. | 50 ... 1600 mm ¹⁾ | 50 ... 1400 mm ¹⁾ | 50 ... 2500 mm ¹⁾ | 50 ... 1800 ¹⁾ | 50 ... 1800 ¹⁾ | 50 ... 3800 ¹⁾ |
| Max. switching frequency | 1,000 Hz ²⁾ | 30 Hz ²⁾ | 1,000 Hz ²⁾ | 30 Hz ²⁾ | 100 Hz ²⁾ | 100 Hz ²⁾ |
| Max. response time | 0.5 ms ³⁾ | 16.7 ms ³⁾ | 0.5 ms ³⁾ | 16.7 ms ³⁾ | 5 ms ³⁾ | 5 ms ³⁾ |
| Analog output | 1x 4 mA ... 20 mA (≤ 450 Ω) 0 V ... 10 V (≥ 50 k Ω) configurable | 1x 4 mA ... 20 mA (≤ 450 Ω) 0 V ... 10 V (≥ 50 k Ω) configurable | 1x 4 mA ... 20 mA (≤ 450 Ω) 0 V ... 10 V (≥ 50 k Ω) configurable | 1x 4 mA ... 20 mA (≤ 450 Ω) 0 V ... 10 V (≥ 50 k Ω) configurable | 1x 4 mA ... 20 mA (≤ 450 Ω) 0 V ... 10 V (≥ 50 k Ω) configurable | 1x 4 mA ... 20 mA (≤ 450 Ω) 0 V ... 10 V (≥ 50 k Ω) configurable |
| Measuring range | 100 ... 1600 mm | 100 ... 1400 mm | 100 ... 2500 mm | 100 ... 1800 mm | 100 ... 1800 mm | 100 ... 3800 mm |
| Resolution | 1 mm / 12 Bit | 1 mm / 12 Bit | 1 mm / 12 Bit | 1 mm / 12 Bit | 1 mm / 12 Bit | 1 mm / 12 Bit |
| Reproducibility | 2.7 ... 8.0 mm | 1.1 ... 1.5 mm | 2.3 ... 6.1 mm | 0.9 ... 1.3 mm | 1.2 ... 3.0 mm | 1.1 ... 3.0 mm |
| Accuracy | typ. ± 20 mm (50 ... 1000 mm) typ. ± 15 mm (1000 ... 1600 mm) | typ. ± 20 mm (50 ... 1000 mm) typ. ± 15 mm (1000 ... 1400 mm) | typ. ± 15 mm | typ. ± 15 mm | typ. ± 20 mm (50 ... 1000 mm) typ. ± 15 mm (1000 ... 1800 mm) | typ. ± 15 mm |
| Output rate | 3 ms | 16.7 ms | 3 ms | 16.7 ms | 5 ms | 5 ms |
| Input | inactive (U Low): < 5 V / active (U High): 12 V ... V_S | inactive (U Low): < 5 V / active (U High): 12 V ... V_S | inactive (U Low): < 5 V / active (U High): 12 V ... V_S | inactive (U Low): < 5 V / active (U High): 12 V ... V_S | inactive (U Low): < 5 V / active (U High): 12 V ... V_S | inactive (U Low): < 5 V / active (U High): 12 V ... V_S |
| Enclosure rating | IP 67 | IP 67 | IP 67 | IP 67 | IP 67 | IP 67 |
| Supply voltage V_S | DC 12 ... 30 V (for use of analog volt- age output $V_S = 13$... 30 V DC) ⁴⁾ | DC 12 ... 30 V (for use of analog volt- age output $V_S = 13$... 30 V DC) ⁴⁾ | DC 12 ... 30 V (for use of analog volt- age output $V_S = 13$... 30 V DC) ⁴⁾ | DC 12 ... 30 V (for use of analog volt- age output $V_S = 13$... 30 V DC) ⁴⁾ | DC 12 ... 30 V (for use of analog volt- age output $V_S = 13$... 30 V DC) ⁴⁾ | DC 12 ... 30 V (for use of analog volt- age output $V_S = 13$... 30 V DC) ⁴⁾ |
| Protection class | III | III | III | III | III | III |
| Circuit protection | A, B, C ⁵⁾ | A, B, C ⁵⁾ | A, B, C ⁵⁾ | A, B, C ⁵⁾ | A, B, C ⁵⁾ | A, B, C ⁵⁾ |
| Ambient operating temperature | -35 ... $+50$ °C ⁶⁾ | -35 ... $+50$ °C ⁶⁾ | -35 ... $+50$ °C ⁶⁾ | -35 ... $+50$ °C ⁶⁾ | -35 ... $+50$ °C ⁶⁾ | -35 ... $+50$ °C ⁶⁾ |
| Warm-up time | <15 min | <15 min | <15 min | <15 min | <15 min | <15 min |

| | -Axx1x | -Axx2x | -Axx3x | -Axx4x | -Axx5x | -Axx6x |
|---|--------|--------|--------|--------|--------|--------|
| 1) Object with 6 % ... 90 % remission (based on standard white DIN 5033) 2) With light / dark ratio 1:1 3) Signal transit time with resistive load 4) Limit value; operation in short-circuit protection mains max. 8 A; residual ripple max. 5 V _{ss} 5) A = UV-connections reverse polarity protected B = inputs and output reverse-polarity protected C = Interference suppression 6) For UV ≤ 24 V. When TU = 45 °C or above, a maximum load resistance of 300 Ω ... 450 Ω is permitted on QA. Below TU = -10 °C a warm-up time is necessary. | | | | | | |

8 Disassembly and disposal

The sensor must be disposed of according to the applicable country-specific regulations. Efforts should be made during the disposal process to recycle the constituent materials (particularly precious metals).




NOTE

Disposal of batteries, electric and electronic devices

- According to international directives, batteries, accumulators and electrical or electronic devices must not be disposed of in general waste.
- The owner is obliged by law to return this devices at the end of their life to the respective public collection points.



 This symbol on the product, its package or in this document, indicates that a product is subject to these regulations.

9 Maintenance

SICK sensors are maintenance-free.

We recommend doing the following regularly:

- Clean the external lens surfaces
- Check the screw connections and plug-in connections

No modifications may be made to devices.

Subject to change without notice. Specified product properties and technical data are not written guarantees.

PowerProx Analog - WTT12L-Axxx

MultiTask-Lichtschanke

SICK
Sensor Intelligence.



de
en
es
fr
it
ja
pt
ru
zh

Beschriebenes Produkt

PowerProx Small Analog - WTT12L-Axxx

Hersteller

SICK AG
Erwin-Sick-Str. 1
79183 Waldkirch
Deutschland

Rechtliche Hinweise

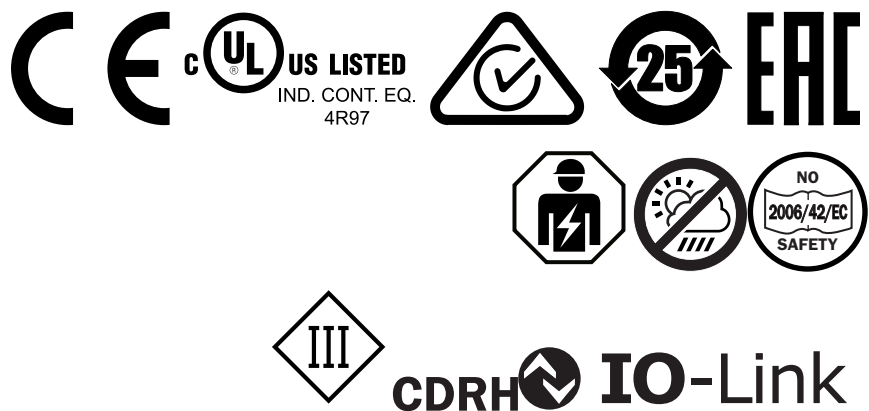
Dieses Werk ist urheberrechtlich geschützt. Die dadurch begründeten Rechte bleiben bei der Firma SICK AG. Die Vervielfältigung des Werks oder von Teilen dieses Werks ist nur in den Grenzen der gesetzlichen Bestimmungen des Urheberrechtsgesetzes zulässig. Jede Änderung, Kürzung oder Übersetzung des Werks ohne ausdrückliche schriftliche Zustimmung der Firma SICK AG ist untersagt.

Die in diesem Dokument genannten Marken sind Eigentum ihrer jeweiligen Inhaber.

© SICK AG. Alle Rechte vorbehalten.

Originaldokument




Dieses Dokument ist ein Originaldokument der SICK AG.




Inhalt

| | | |
|-----------|--|-----------|
| 10 | Allgemeine Sicherheitshinweise..... | 16 |
| 11 | Hinweise zur UL Zulassung..... | 16 |
| 12 | Produktbeschreibung..... | 16 |
| | 12.1 Bestimmungsgemäße Verwendung..... | 16 |
| | 12.2 Maßzeichnung..... | 17 |
| 13 | Inbetriebnahme..... | 18 |
| | 13.1 Einsatzbedingungen prüfen:..... | 18 |
| | 13.2 Montage..... | 19 |
| | 13.3 Elektronik..... | 19 |
| | 13.4 Ausrichtung..... | 20 |
| 14 | Konfiguration..... | 20 |
| | 14.1 Einstellung..... | 20 |
| 15 | Störungsbehebung..... | 22 |
| | 15.1 Störungsbehebung..... | 22 |
| | 15.2 Tabelle Fehlerdiagnose..... | 22 |
| 16 | Technische Daten..... | 22 |
| 17 | Demontage und Entsorgung..... | 24 |
| 18 | Wartung..... | 24 |

10 Allgemeine Sicherheitshinweise

- Lesen Sie vor der Inbetriebnahme des Geräts die Betriebsanleitung.
-  Der Anschluss, die Montage und die Konfiguration des Geräts dürfen nur von geschultem Fachpersonal vorgenommen werden.
-  Bei diesem Gerät handelt es sich um kein sicherheitsgerichtetes Bauteil im Sinne der EU-Maschinenrichtlinie.
-  Bei der Inbetriebnahme ist das Gerät ausreichend vor Feuchtigkeit und Verschmutzung zu schützen.
- Die vorliegende Betriebsanleitung enthält Informationen, die während des Lebenszyklus der Lichtschranke benötigt werden.

| | |
|---|------------|
| LASERKLASSE 1 | |
|  | Laser 1 |
| EN/IEC 60825-1:2014 IEC60825-1:2007 | |
| Maximale Pulsleistung: < 20 mW Impulsdauer: 5,3 µs Wellenlänge: 940 nm | |
| Entspricht 21 CFR 1040.10 und 1040.11 mit Ausnahme von Abweichungen nach Laser-Hinweis 50, 24, Juni 2007 | |



ACHTUNG

WARNUNG: Eingriffe, Manipulation oder eine unsachgemäße Verwendung kann zu gefährlicher Exposition gegenüber Laserstrahlung führen.

11 Hinweise zur UL Zulassung

The device must be supplied by a Class 2 source of supply.

UL Environmental Rating: Enclosure type 1

12 Produktbeschreibung

12.1 Bestimmungsgemäße Verwendung

Die WTT12L-Axxxx ist ein optoelektronischer Reflexions-Lichttaster mit analoger Distanzwertausgabe (im Folgenden Sensor genannt) und wird zum optischen, berührungslosen Erfassen von Sachen eingesetzt. Bei jeder anderen Verwendung und bei Veränderungen am Produkt verfällt jeglicher Gewährleistungsanspruch gegenüber der SICK AG.

12.2 Maßzeichnung

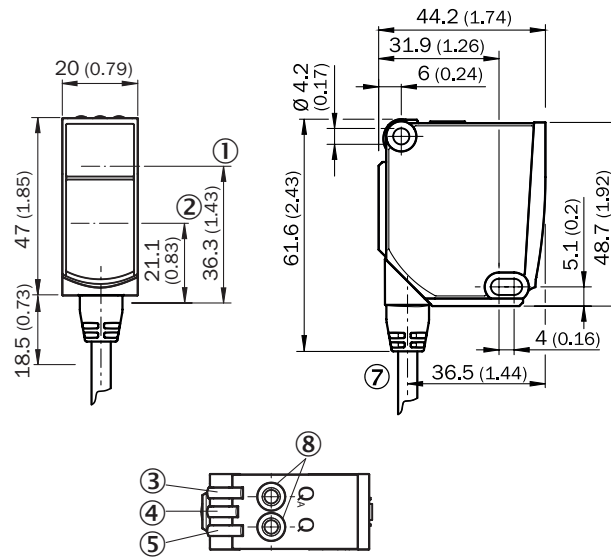


Abbildung 6: WTT12L-A1xxx / -A3xxx

- ① Mitte Optikachse, Sender
- ② Mitte Optikachse, Empfänger
- ③ Anzeige-LED gelb: Status Analogausgang
- ④ Anzeige-LED grün: Versorgungsspannung aktiv
- ⑤ Anzeige-LED gelb: Schaltausgang
- ⑥ Befestigungsbohrung D4,2 mm
- ⑦ Leitungsabgang
- ⑧ Einfach-Teach-Taste

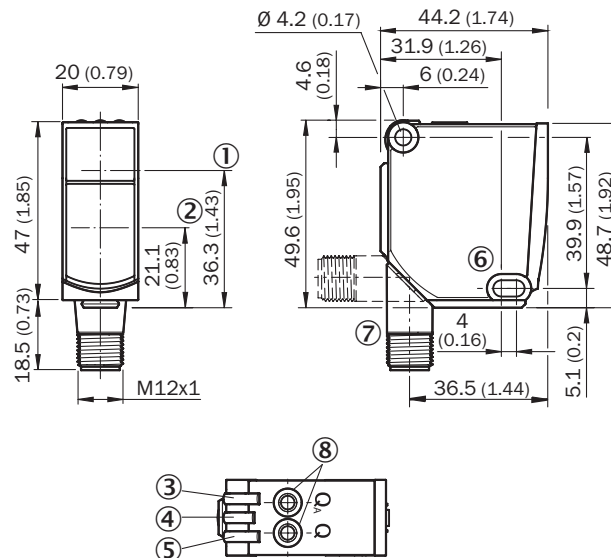


Abbildung 7: WTT12L-A2xxx

- ① Mitte Optikachse, Sender
- ② Mitte Optikachse, Empfänger
- ③ Anzeige-LED gelb: Status Analogausgang
- ④ Anzeige-LED grün: Versorgungsspannung aktiv
- ⑤ Anzeige-LED gelb: Schaltausgang

- ⑥ Befestigungsbohrung D4,2 mm
- ⑦ Stecker M12, 5-polig
- ⑧ Einfach-Teach-Taste

13 Inbetriebnahme

13.1 Einsatzbedingungen prüfen:

Analogausgang:

Die Genauigkeitsangaben des Analogausgangs entnehmen Sie der Tabelle [Technische Daten](#) sowie Diagramm H3, H4.

Schaltausgang:

Schaltabstand und Distanz zum Objekt bzw. Hintergrund sowie Remissionsvermögen des Objektes mit dem zugehörigen Diagramm [vgl. H1, H2] abgleichen (x = Schaltabstand, y = Mindestabstand zwischen Objekt und Hintergrund in mm (Remission Objekt / Remission Hintergrund)). Remission: 6 % = schwarz, 90 % = weiß (bezogen auf Standardweiß nach DIN 5033).

Die minimale Distanz (= y) für die Hintergrundausblendung kann aus dem Diagramm [vgl. H1①] wie folgt abgelesen werden:

Beispiel: x = 1000 mm, y = 25 mm. D. h. der Hintergrund wird ab einer Distanz von > 25 mm vom Objekt ausgeblendet.

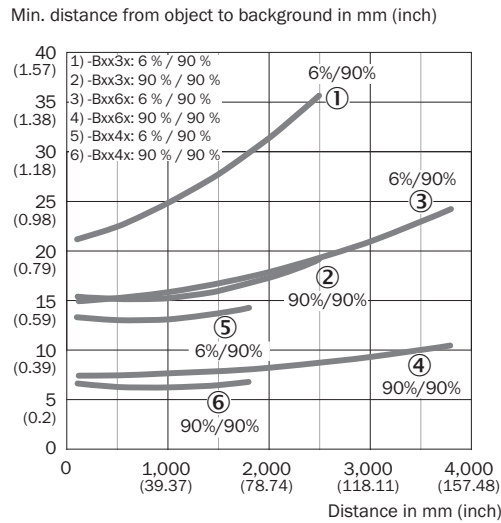


Abbildung: H

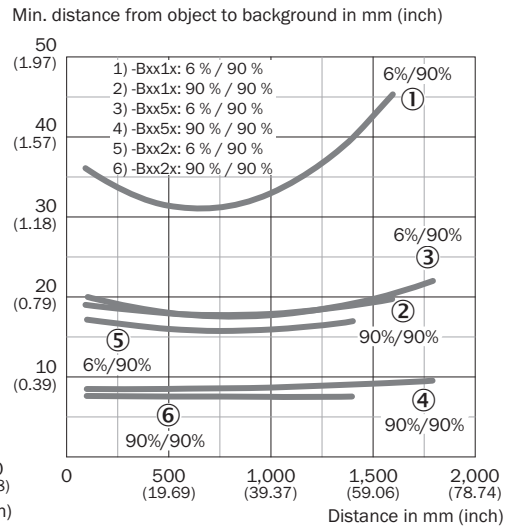


Abbildung: H-2

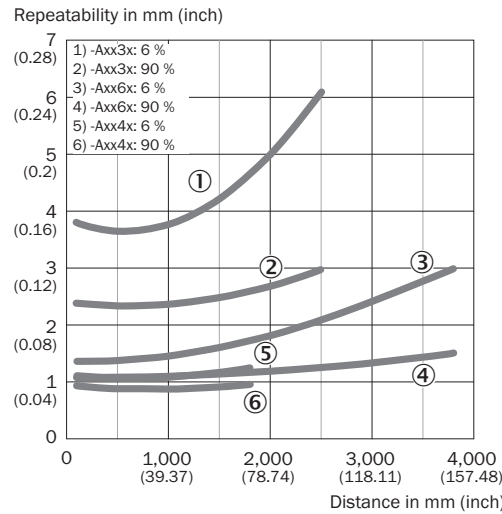


Abbildung: H-3

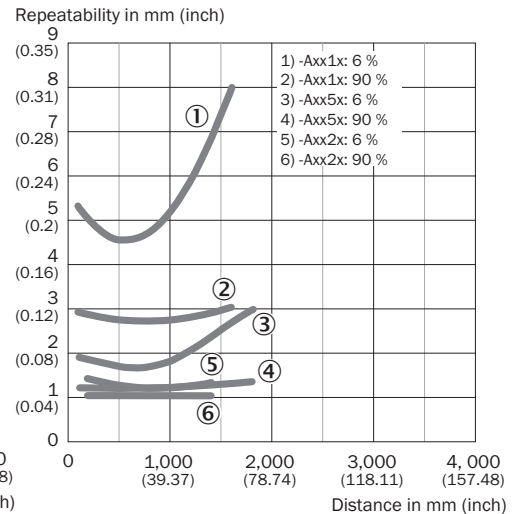


Abbildung: H-4

13.2 Montage

Den Sensor an einen geeigneten Befestigungswinkel montieren (siehe SICK-Zubehör-Programm).

Maximal zulässiges Anzugsdrehmoment des Sensors von 0,8 Nm beachten.

Vorzugsrichtung des Objektes zum Sensor beachten [vgl. C].

13.3 Elektronik

Anschluss der Sensoren muss spannungsfrei ($U_V = 0 \text{ V}$) erfolgen. Je nach Anschlussart sind die Informationen in den Grafiken [vgl. B] zu beachten:

- Steckeranschluss: Pinbelegung
- Leitung: Adernfarbe

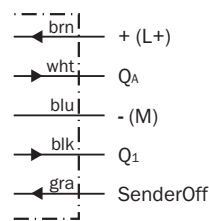


Abbildung: B: -A15X3

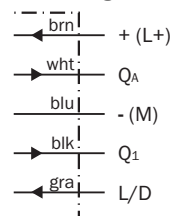


Abbildung: B: -A15X7

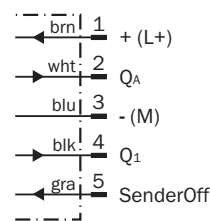


Abbildung: B-2: -A25X3/ -A35X3

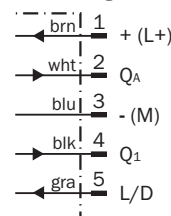


Abbildung: B: -A25X7/ -A35X7

Erst nach Anschluss aller elektrischen Verbindungen die Spannungsversorgung ($U_V > 0 \text{ V}$) anlegen bzw. einschalten. Am Sensor leuchtet die grüne Anzeige-LED.

Erläuterungen zum Anschlussschema (Grafik B):

SenderOff = Abschaltung der Sende-LED, high-activ.

L/D = Hell- Dunkelumschalter

13.4 Ausrichtung

Sensor auf Objekt ausrichten. Positionierung so wählen, dass der rote Sendelichtstrahl in der Mitte des Objekts auftrifft. Es ist darauf zu achten, dass die optische Öffnung (Frontscheibe) des Sensors vollständig frei ist [vgl. D]. Wir empfehlen, die Einstellung mit einem Objekt von niedriger Remission vorzunehmen.

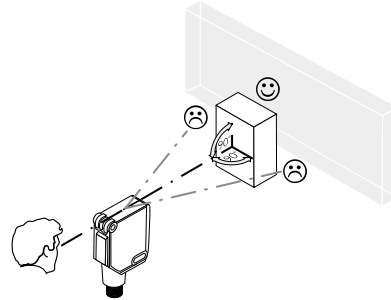


Abbildung: D

14 Konfiguration

14.1 Einstellung

Parametrierung durchführen:

a) Einstellung des Analogausgangs

Der Analogausgang ist werksseitig wie folgt eingestellt:

4 mA = 100 mm

20 mA = Maximalreichweite (typabhängig)

Die Einstellung kann mit der Teach-In-Taste Q_A an die Applikation angepasst werden (siehe Grafiken E und G). Teach-In-Taste nicht mit spitzen Gegenständen betätigen. Teachreihenfolge und Objektabstand definieren die Kennlinie des Analogausgangs. Objekt in den Strahlengang halten. Teach-In-Taste $Q_A > 1$ s gedrückt halten, bis die linke gelbe LED anfängt zu blinken, dann die Taste loslassen. Die LED blinkt weiter. Die aktuelle Distanz zum Objekt wird dem 4 mA (0,05 V) Wert zugeordnet. Dann Objekt verschieben. Teach-In-Taste Q_A erneut >1 s drücken, bis die linke gelbe LED aufhört zu blinken. Die nun gemessene Distanz zum Objekt wird dem 20 mA (10 V) Wert zugeordnet. Abhängig davon, ob das Objekt von nah nach fern oder umgekehrt verschoben wird, ergibt sich eine steigende oder eine fallende Flanke.

Der Analogausgang kann zwischen Strom- und Spannungsausgang umgeschaltet werden (siehe Grafik J). Dazu die Teach-In-Taste $Q_A > 10$ s gedrückt halten, bis die linke gelbe LED und die grüne LED abwechselnd blinken. Dann die Taste loslassen. Die grüne LED blinkt weiter. Abhängig davon, ob sich der Sensor im Strom- oder Spannungsmodus befindet, leuchtet die linke gelbe LED. Um zwischen den Modi umzuschalten, die Teach-In-Taste Q_A kurz drücken. Wird >10 s keine Taste gedrückt, speichert der Sensor den aktuellen Modus und verlässt das Einstellmenü.

b) Einstellung des Schaltausgangs

Durch Drücken der Teach-in-Taste $Q > 1$ s wird der Schaltabstand eingestellt (siehe Grafik F). Teach-in-Tasten nicht mit spitzen Gegenständen betätigen. Wir empfehlen, den Schaltabstand in das Objekt zu legen. Nachdem der Schaltabstand eingestellt worden ist, das Objekt aus dem Strahlengang entfernen, der Hintergrund wird dabei ausgeblendet und der Schaltausgang ändert sich (siehe Grafik C).

c) Einstellungen über SOPAS und Übertragung der Einstellungen mit dem SICK Memory Stick. Alternativ kann der Sensor über die SICK eigene Software SOPAS eingestellt werden. Auch kann das Zubehör SICK Memory Stick (IOLP2ZZ-M3201, Artikelnummer 1064290) verwendet werden, um die Einstellungen von einem Sensor auf einen anderen Sensor zu übertragen. Bei Fragen hierzu, wenden Sie sich bitte an Ihren zuständigen Vertriebsmitarbeiter.

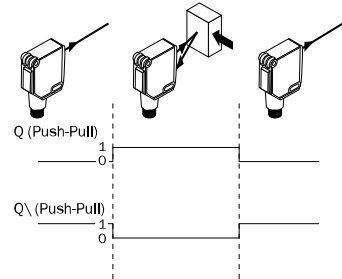


Abbildung: C

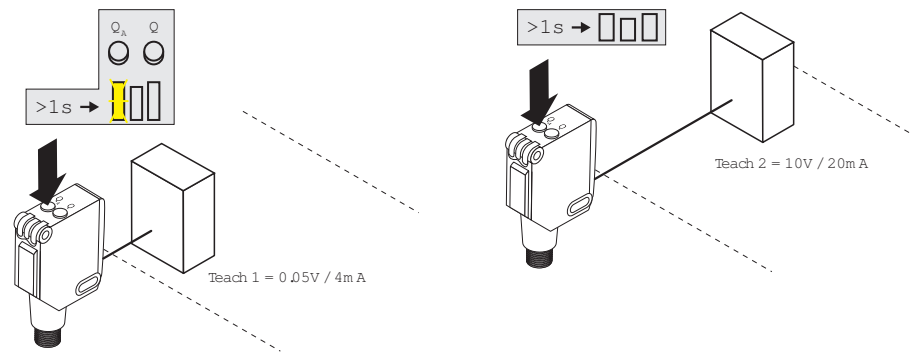


Abbildung: E

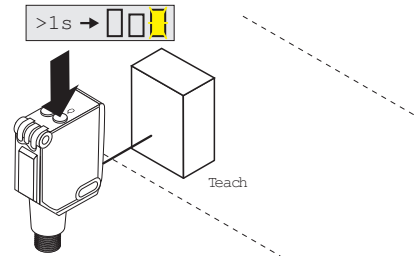


Abbildung 8: F

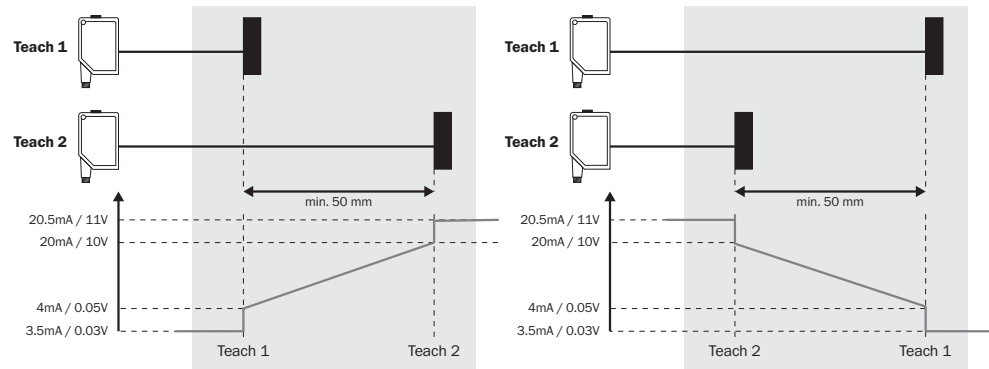


Abbildung 9: G

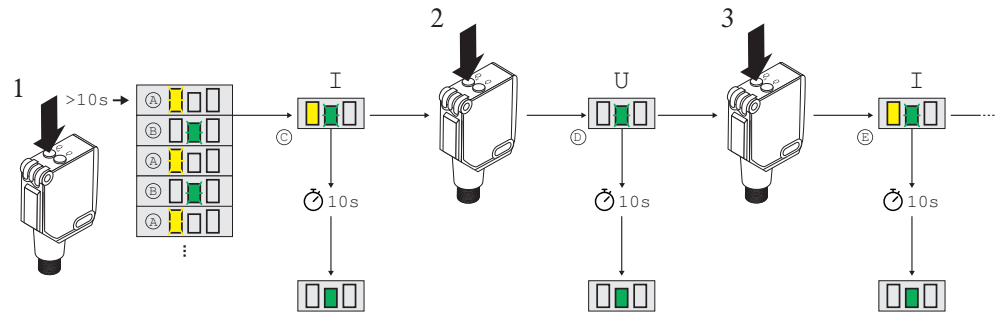


Abbildung 10: J

15 Störungsbehebung

15.1 Störungsbehebung

Tabelle Störungsbehebung zeigt, welche Maßnahmen durchzuführen sind, wenn die Funktion des Sensors nicht mehr gegeben ist.

15.2 Tabelle Fehlerdiagnose

| Anzeige-LED / Fehlerbild | Ursache | Maßnahme |
|---|--|--|
| grüne LED leuchtet nicht | keine Spannung oder Spannung unterhalb der Grenzwerte | Spannungsversorgung prüfen, den gesamten elektrischen Anschluss prüfen (Leitungen und Steckerverbindungen) |
| grüne LED leuchtet nicht | Spannungsunterbrechungen | Sicherstellen einer stabilen Spannungsversorgung ohne Unterbrechungen |
| grüne LED leuchtet nicht | Sensor ist defekt | Wenn Spannungsversorgung in Ordnung ist, dann Sensor austauschen |
| grüne LED leuchtet, kein Ausgangssignal bei Objektdetektion | SenderOff-Eingang ist nicht korrekt angeschlossen | Siehe Hinweis für Anschluss des SenderOff-Eingangs. |
| gelbe LEDs blinken synchron | Sensor ist nicht betriebsbereit. Bei tiefen Umgebungstemperaturen befindet sich der Sensor in der Aufwärmphase. Bei zu hohen Umgebungstemperaturen hat sich der Sensor abgeschaltet. | Bei tiefen Umgebungstemperaturen warten, bis sich der Sensor aufgewärmt hat. Bei zu hohen Umgebungstemperaturen für Abkühlung sorgen |
| gelbe LED blinkt (nur kurz) | Teach-Modus | Teach-Modus überprüfen |
| rechte gelbe LED leuchtet, kein Objekt im Strahlengang | Abstand zwischen Sensor und Hintergrund ist zu gering | Schaltabstand verringern. |
| Objekt ist im Strahlengang, gelbe LED leuchtet nicht | Abstand zwischen Sensor und Objekt ist zu groß oder Schaltabstand ist zu gering eingestellt | Schaltabstand vergrößern. |

16 Technische Daten

| | -Axx1x | -Axx2x | -Axx3x | -Axx4x | -Axx5x | -Axx6x |
|-------------|--------|--------|--------|--------|--------|--------|
| Laserklasse | 1 | 1 | 1 | 1 | 1 | 1 |

| | -Axx1x | -Axx2x | -Axx3x | -Axx4x | -Axx5x | -Axx6x |
|--|---|---|---|---|---|---|
| Lichtfleckdurchmesser/Entfernung | < 11.0 mm / 1600 mm | < 10.0 mm / 1400 mm | < 14.0 mm / 2500 mm | <12.0 / 1800 mm | <12.0 / 1800 mm | <12.0 / 3800 mm |
| Schaltausgang (Ausgangsstrom I _{max.}) | 1x PUSH/ PULL: PNP/NPN (50 mA) | 1x PUSH/ PULL: PNP/NPN (50 mA) | 1x PUSH/ PULL: PNP/NPN (50 mA) | 1x PUSH/ PULL: PNP/NPN (50 mA) | 1x PUSH/ PULL: PNP/NPN (50 mA) | 1x PUSH/ PULL: PNP/NPN (50 mA) |
| Schaltabstand | 100 ... 1600 mm ¹⁾ | 100 ... 1400 mm ¹⁾ | 100 ... 2500 mm ¹⁾ | 100 ... 1800 ¹⁾ | 100 ... 1800 ¹⁾ | 100 ... 3800 ¹⁾ |
| Schaltabstand max. | 50 ... 1600 mm ¹⁾ | 50 ... 1400 mm ¹⁾ | 50 ... 2500 mm ¹⁾ | 50 ... 1800 ¹⁾ | 50 ... 1800 ¹⁾ | 50 ... 3800 ¹⁾ |
| Schaltfolge max. | 1,000 Hz ²⁾ | 30 Hz ²⁾ | 1,000 Hz ²⁾ | 30 Hz ²⁾ | 100 Hz ²⁾ | 100 Hz ²⁾ |
| Ansprechzeit max. | 0.5 ms ³⁾ | 16.7 ms ³⁾ | 0.5 ms ³⁾ | 16.7 ms ³⁾ | 5 ms ³⁾ | 5 ms ³⁾ |
| Analogausgang | 1x 4 mA ... 20 mA (≤450 Ω)0 V ... 10 V (≥50 k Ω) configurable | 1x 4 mA ... 20 mA (≤450 Ω)0 V ... 10 V (≥50 k Ω) configurable | 1x 4 mA ... 20 mA (≤450 Ω)0 V ... 10 V (≥50 k Ω) configurable | 1x 4 mA ... 20 mA (≤450 Ω)0 V ... 10 V (≥50 k Ω) configurable | 1x 4 mA ... 20 mA (≤450 Ω)0 V ... 10 V (≥50 k Ω) configurable | 1x 4 mA ... 20 mA (≤450 Ω)0 V ... 10 V (≥50 k Ω) configurable |
| Messbereich | 100 ... 1600 mm | 100 ... 1400 mm | 100 ... 2500 mm | 100 ... 1800 mm | 100 ... 1800 mm | 100 ... 3800 mm |
| Auflösung | 1 mm / 12 Bit | 1 mm / 12 Bit | 1 mm / 12 Bit | 1 mm / 12 Bit | 1 mm / 12 Bit | 1 mm / 12 Bit |
| Reproduzierbarkeit 1 | 2.7 ... 8.0 mm | 1.1 ... 1.5 mm | 2.3 ... 6.1 mm | 0.9 ... 1.3 mm | 1.2 ... 3.0 mm | 1.1 ... 3.0 mm |
| Genauigkeit | typ. ±20 mm (50 ... 1000 mm) typ. ±15 mm (1000 ... 1600 mm) | typ. ±20 mm (50 ... 1000 mm) typ. ±15 mm (1000 ... 1400 mm) | typ. ±15 mm | typ. ±15 mm | typ. ±20 mm (50 ... 1000 mm) typ. ±15 mm (1000 ... 1800 mm) | typ. ±15 mm |
| Ausgaberate | 3 ms | 16.7 ms | 3 ms | 16.7 ms | 5 ms | 5 ms |
| Eingang | inactive (U Low): <5 V / active (U High): 12 V ... V _S | inactive (U Low): <5 V / active (U High): 12 V ... V _S | inactive (U Low): <5 V / active (U High): 12 V ... V _S | inactive (U Low): <5 V / active (U High): 12 V ... V _S | inactive (U Low): <5 V / active (U High): 12 V ... V _S | inactive (U Low): <5 V / active (U High): 12 V ... V _S |
| Schutzart | IP 67 | IP 67 | IP 67 | IP 67 | IP 67 | IP 67 |
| Versorgungsspannung U _V | DC 12 ... 30 V (for use of analog voltage output VS = 13 ... 30 V DC) ⁴⁾ | DC 12 ... 30 V (for use of analog voltage output VS = 13 ... 30 V DC) ⁴⁾ | DC 12 ... 30 V (for use of analog voltage output VS = 13 ... 30 V DC) ⁴⁾ | DC 12 ... 30 V (for use of analog voltage output VS = 13 ... 30 V DC) ⁴⁾ | DC 12 ... 30 V (for use of analog voltage output VS = 13 ... 30 V DC) ⁴⁾ | DC 12 ... 30 V (for use of analog voltage output VS = 13 ... 30 V DC) ⁴⁾ |
| Schutzklasse | III | III | III | III | III | III |
| Schutzschaltungen | A, B, C ⁵⁾ | A, B, C ⁵⁾ | A, B, C ⁵⁾ | A, B, C ⁵⁾ | A, B, C ⁵⁾ | A, B, C ⁵⁾ |
| Betriebsumgebungstemperatur | -35 ... +50 °C ⁶⁾ | -35 ... +50 °C ⁶⁾ | -35 ... +50 °C ⁶⁾ | -35 ... +50 °C ⁶⁾ | -35 ... +50 °C ⁶⁾ | -35 ... +50 °C ⁶⁾ |
| Aufwärmzeit | <15 min | <15 min | <15 min | <15 min | <15 min | <15 min |

| | -Axx1x | -Axx2x | -Axx3x | -Axx4x | -Axx5x | -Axx6x |
|---|--------|--------|--------|--------|--------|--------|
| 1) Tastgut mit 6 % ... 90 % Remission (bezogen auf Standard-Weiß DIN 5033) 2) Mit Hell- / Dunkelverhältnis 1:1 3) Signallaufzeit bei ohmscher Last 4) Grenzwerte; Betrieb im kurzschlussgeschützten Netz max. 8 A; Restwelligkeit max. 5 Vss 5) A = UV-Anschlüsse verpolsicher B = Ein- und Ausgänge verpolsicher C = Störimpulsunterdrückung 6) Für UV ≤ 24 V. Ab TU = 45 °C ist ist ein maximaler Lastwiderstand an QA von 300 Ω ... 450 Ω zulässig. Unter TU = -10 °C ist eine Aufwärmzeit notwendig. | | | | | | |

17 Demontage und Entsorgung

Die Lichtschranke muss entsprechend den geltenden länderspezifischen Vorschriften entsorgt werden. Bei der Entsorgung sollte eine werkstoffliche Verwertung (insbesondere der Edelmetalle) angestrebt werden.



HINWEIS

Entsorgung von Batterien, Elektro- und Elektronikgeräten

- Gemäß den internationalen Vorschriften dürfen Batterien, Akkus sowie Elektro- und Elektronikgeräte nicht mit dem Hausmüll entsorgt werden.
- Der Besitzer ist gesetzlich verpflichtet, diese Geräte am Ende ihrer Lebensdauer bei den entsprechenden öffentlichen Sammelstellen abzugeben.



■ Dieses Symbol auf dem Produkt, dessen Verpackung oder im vorliegenden Dokument gibt an, dass ein Produkt den genannten Vorschriften unterliegt.

18 Wartung

SICK-Sensoren sind wartungsfrei.

Wir empfehlen, in regelmäßigen Abständen

- die optischen Grenzflächen zu reinigen
- Verschraubungen und Steckverbindungen zu überprüfen

Veränderungen an Geräten dürfen nicht vorgenommen werden.

Irrtümer und Änderungen vorbehalten. Angegebene Produkteigenschaften und technische Daten stellen keine Garantieerklärung dar.

PowerProx Analog - WTT12L-Axxx

Capteur photoélectrique multi-tâches

SICK
Sensor Intelligence.



de
en
es
fr
it
ja
pt
ru
zh

Produit décrit

PowerProx Small Analog - WTT12L-Axxx

Fabricant

SICK AG
Erwin-Sick-Straße 1
79183 Waldkirch
Allemagne

Remarques juridiques

Cet ouvrage est protégé par les droits d'auteur. Les droits établis restent dévolus à la société SICK AG. La reproduction de l'ouvrage, même partielle, n'est autorisée que dans le cadre légal prévu par la loi sur les droits d'auteur. Toute modification, tout abrègement ou toute traduction de l'ouvrage est interdit sans l'accord écrit exprès de la société SICK AG.

Les marques citées dans ce document sont la propriété de leurs détenteurs respectifs.

© SICK AG. Tous droits réservés.

Document original




Ce document est un document original de SICK AG.




Contenu

| | | |
|-----------|---|-----------|
| 19 | Consignes générales de sécurité..... | 28 |
| 20 | Remarques sur l'homologation UL..... | 28 |
| 21 | Description du produit..... | 28 |
| | 21.1 Utilisation conforme..... | 28 |
| | 21.2 Plan coté..... | 29 |
| 22 | Mise en service..... | 30 |
| | 22.1 Vérification des conditions d'utilisation :..... | 30 |
| | 22.2 Montage..... | 31 |
| | 22.3 Électronique..... | 31 |
| | 22.4 Alignement..... | 32 |
| 23 | Configuration..... | 32 |
| | 23.1 Réglage..... | 32 |
| 24 | Élimination des défauts..... | 34 |
| | 24.1 Élimination des défauts..... | 34 |
| | 24.2 Tableau de diagnostic rapide..... | 34 |
| 25 | Caractéristiques techniques..... | 35 |
| 26 | Démontage et mise au rebut..... | 36 |
| 27 | Maintenance..... | 36 |

19 Consignes générales de sécurité

- Lire la notice d'instruction avant la mise en service.
-  Le raccordement, le montage et la configuration ne doivent être réalisés que par un personnel qualifié.
-  N'est pas un composant de sécurité selon la Directive machines de l'UE.
-  Lors de la mise en service, protéger l'appareil contre l'humidité et la contamination.
- Cette notice d'instruction contient des informations nécessaires durant le cycle de vie du capteur.

| | |
|--|------------|
| LASER CLASS 1 | |
|  | Laser 1 |
| EN/IEC 60825-1:2014 IEC60825-1:2007 | |
| Maximum pulse power < 20 mW Puls length: 5.3 µs Wavelength: 940 nm | |
| Complies with 21 CFR 1040.10 and 1040.11 except for deviations pursuant to Laser Notice No. 50, dated June 24, 2007 | |



ATTENTION

ATTENTION : Toute intervention, manipulation ou utilisation non conforme peuvent provoquer une exposition dangereuse aux rayons laser.

20 Remarques sur l'homologation UL

The device must be supplied by a Class 2 source of supply.

UL Environmental Rating: Enclosure type 1

21 Description du produit

21.1 Utilisation conforme

WTT12L-Axxxx est un détecteur à réflexion directe optoélectronique avec édition analogique de la valeur de distance (appelé capteur dans ce document) qui permet la détection optique sans contact d'objets. Toute autre utilisation ou modification du produit annule la garantie de SICK AG.

21.2 Plan coté

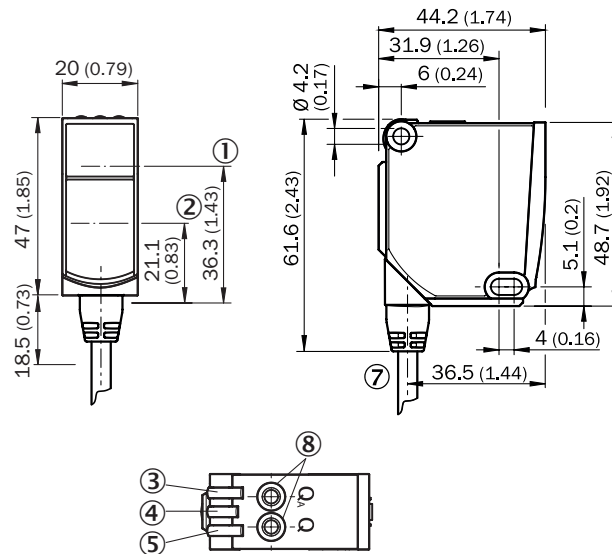


Illustration 11: WTT12L-A1xxx / -A3xxx

- ① Centre de l'axe optique émetteur
- ② Centre de l'axe optique récepteur
- ③ LED d'état jaune : état sortie analogique
- ④ LED d'état verte : tension d'alimentation active
- ⑤ LED d'état jaune : sortie de commutation
- ⑥ Trou de fixation D4.2 mm
- ⑦ Départ de câble
- ⑧ Simple touche d'apprentissage

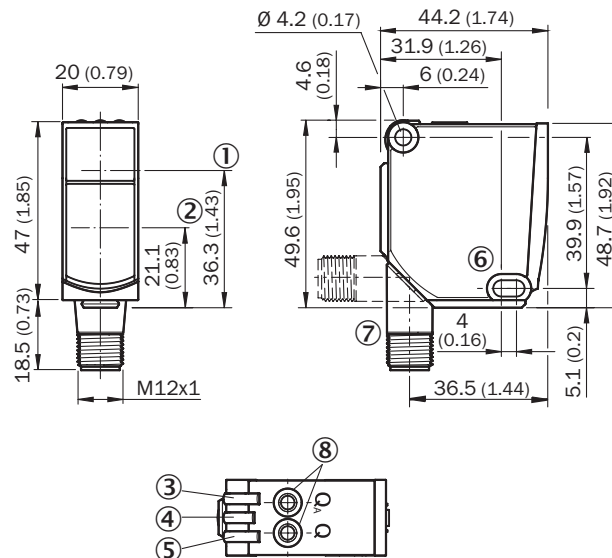


Illustration 12: WTT12L-A2xxx

- ① Centre de l'axe optique émetteur
- ② Centre de l'axe optique récepteur
- ③ LED d'état jaune : état sortie analogique
- ④ LED d'état verte : tension d'alimentation active
- ⑤ LED d'état jaune : sortie de commutation

- ⑥ Trou de fixation D4.2 mm
- ⑦ Connecteur mâle M12, 5 pôles
- ⑧ Simple touche d'apprentissage

22 Mise en service

22.1 Vérification des conditions d'utilisation :

Sortie analogique :

Vous trouverez les indications sur la précision de la sortie analogique dans le tableau [Caractéristiques techniques](#) ainsi que dans le diagramme H3, H4.

Sortie de commutation :

Comparer la distance de commutation et la distance à l'objet ou à l'arrière-plan et les caractéristiques de rémission de l'objet avec le diagramme correspondant [cf. H1, H2] (x = distance de commutation, y = distance minimale entre l'objet et l'arrière-plan en mm (rémission de l'objet / rémission de l'arrière-plan)). Rémission : 6 % = noir, 90 % = blanc (par rapport au blanc standard selon DIN 5033).

La distance minimale (= y) pour l'élimination d'arrière-plan peut être déterminée à partir du diagramme [cf. H1①] comme suit :

Exemple : x = 1 000 mm, y = 25 mm. En d'autres termes, l'arrière-plan est masqué à partir d'une distance supérieure à 25 mm de l'objet.

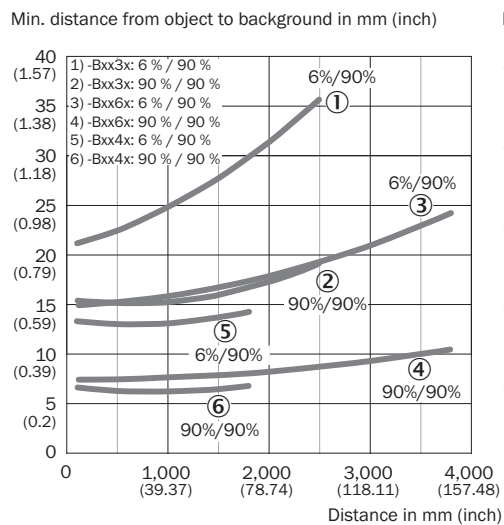


Illustration: H-1

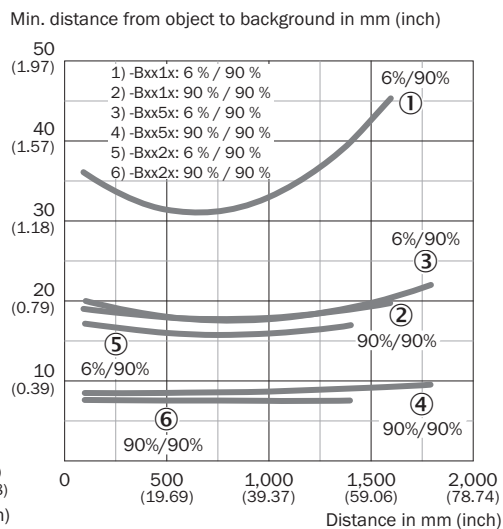


Illustration: H-2

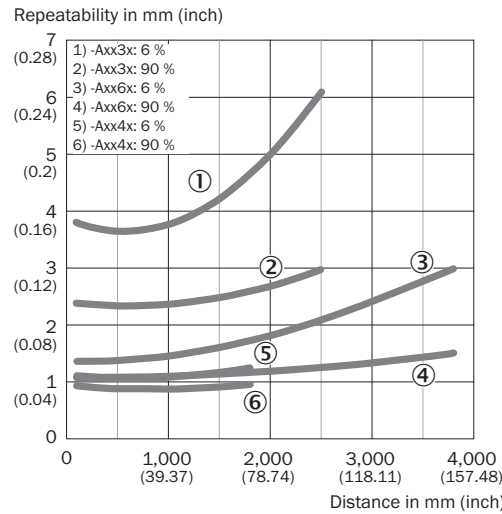


Illustration: H-3

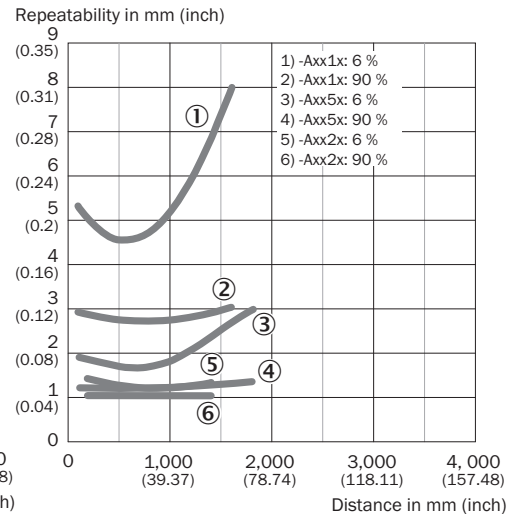


Illustration: H-4

22.2 Montage

Monter le capteur sur une équerre de fixation adaptée (voir la gamme d'accessoires SICK).

Respecter le couple de serrage maximum autorisé du capteur de 0,8 Nm

Tenir compte de la direction préférentielle de l'objet par rapport au capteur [voir C].

22.3 Électronique

Le raccordement des capteurs doit s'effectuer hors tension ($U_v = 0\text{ V}$). Selon le mode de raccordement, respecter les informations contenues dans les schémas [B] :

- Raccordement du connecteur : affectation des broches
- Câble : couleur des fils

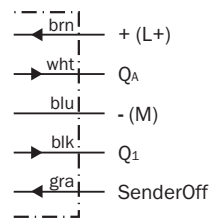


Illustration: B: -A15X3

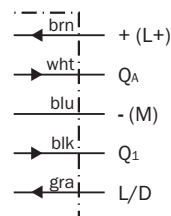


Illustration: B: -A15X7

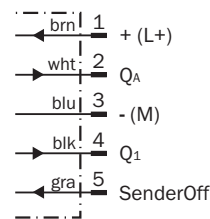


Illustration: B-2: -A25X3/ -A35X3

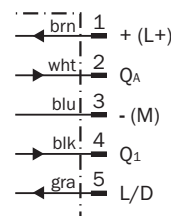


Illustration: B: -A25X7 / -A35X7

Après avoir terminé tous les raccordements électriques, activer l'alimentation électrique ($U_v > 0\text{ V}$). La DEL verte s'allume sur le capteur.

Explications relatives au schéma de raccordement (schéma B) :

SenderOff = extinction du LED d'émetteur, high-active

L/D = commutateur clair / sombre

22.4 Alignement

Aligner le capteur sur l'objet. Sélectionner la position de sorte que le faisceau lumineux émis rouge touche l'objet en plein milieu. S'assurer que l'ouverture optique (vitre frontale) du capteur est parfaitement dégagée [voir D]. Nous recommandons de procéder au réglage avec un objet peu réfléchissant.

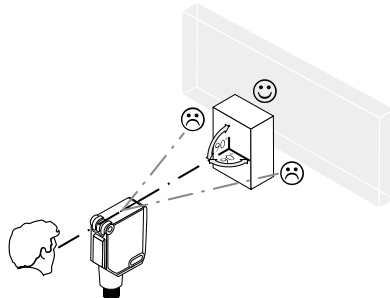


Illustration: D

23 Configuration

23.1 Réglage

Effectuer la configuration :

a) Configurer la sortie analogique

La sortie analogique est configurée comme suit en usine :

4 mA = 100 mm

20 mA = portée maximale (selon le type)

Le réglage peut être adapté à l'aide du bouton d'apprentissage Q_A à l'application (voir graphiques E et G). Ne pas appuyer sur la touche d'apprentissage avec des objets pointus. L'ordre d'apprentissage et la distance à l'objet définissent la courbe caractéristique de la sortie analogique. Placer l'objet dans la trajectoire du faisceau. Maintenir appuyé le bouton d'apprentissage $Q_A > 1$ s, jusqu'à ce que la LED jaune gauche commence à clignoter, puis relâcher le bouton. La LED continue à clignoter. La distance actuelle par rapport à l'objet est affectée à la valeur 4 mA (0,05 V). Puis déplacer l'objet. Maintenir de nouveau appuyé le bouton d'apprentissage $Q_A > 1$ s, jusqu'à ce que la LED jaune gauche s'arrête de clignoter. La distance actuelle maintenant mesurée par rapport à l'objet est affectée à la valeur 20 mA (10 V). En fonction du déplacement de l'objet de près à loin ou inversement, on obtient un front de signal croissant ou décroissant.

La sortie analogique peut être commutée entre sortie de courant et sortie de tension (voir graphique J). Maintenir appuyé le bouton d'apprentissage $Q_A > 10$ s, jusqu'à ce que la LED jaune gauche et la LED verte clignotent en alternance. Puis relâcher le bouton. La LED verte continue à clignoter. La LED gauche jaune clignote si le capteur se trouve ou non en mode courant ou en mode tension. Pour commuter entre les modes, appuyer brièvement sur le bouton d'apprentissage Q_A . Si aucune touche n'est activée pendant > 10 s, le capteur enregistre le mode actuel et quitte le menu de configuration.

b) Réglage de la sortie de commutation

Appuyer sur le bouton d'apprentissage $Q > 1$ s pour régler la distance de commutation (voir graphique F). Ne pas appuyer sur la touche d'apprentissage avec des objets pointus. Nous recommandons de placer la portée dans l'objet. Après le réglage de la portée, extraire l'objet de la trajectoire du faisceau, ce qui élimine l'arrière-plan et modifie la sortie de commutation (voir le schéma C).

c) Réglage via SOPAS et transmission des réglages avec la clé USB SICK. Alternative-
 ment, le capteur peut être configuré via le logiciel propre de SICK, SOPAS. Vous pouvez
 utiliser l'accessoire clé USB de SICK (IOLP2ZZ-M3201, référence 1064290) pour
 transférer les réglages d'un capteur à un autre. Pour toute question, veuillez contacter
 votre représentant compétent.

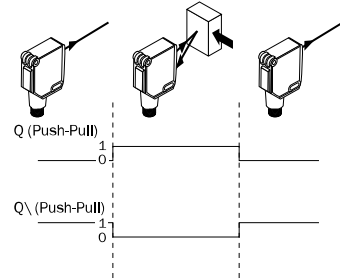


Illustration: C

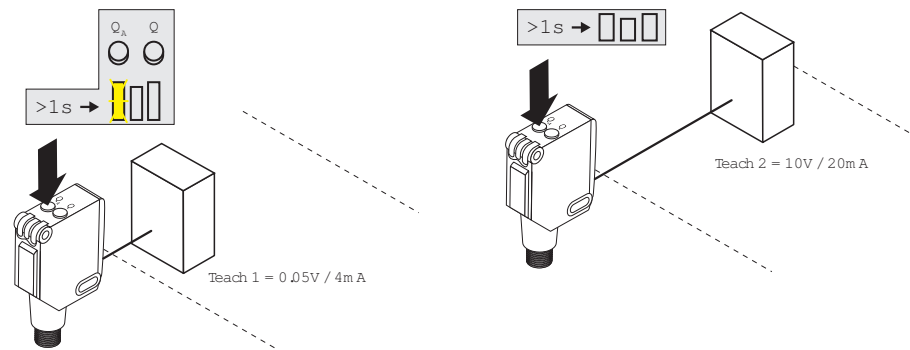


Illustration: E

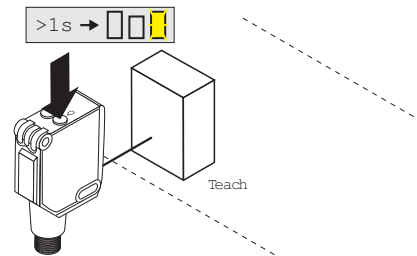


Illustration 13: F

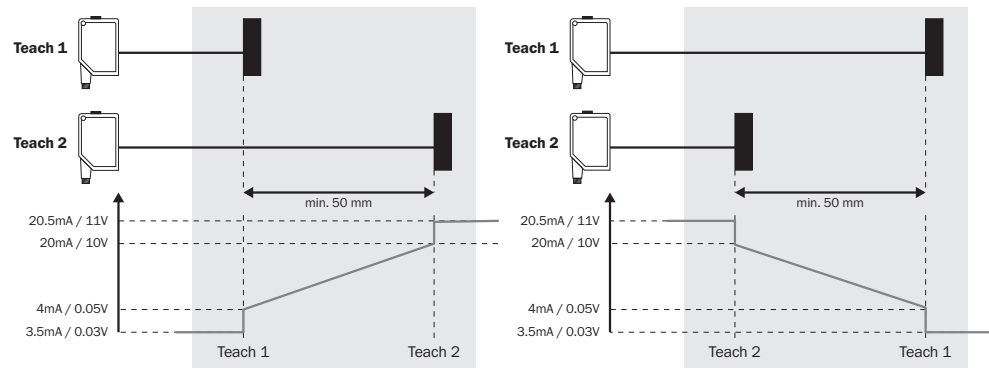


Illustration 14: G

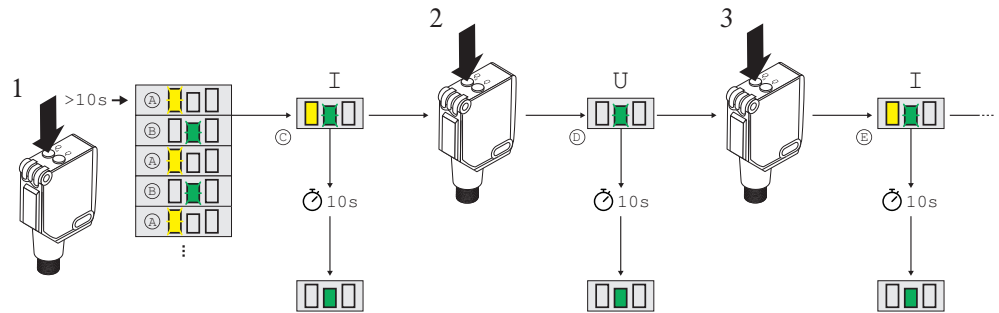


Illustration 15: J

24 Élimination des défauts

24.1 Élimination des défauts

Le tableau Élimination des défauts présente les mesures à appliquer si le capteur ne fonctionne plus.

24.2 Tableau de diagnostic rapide

| LED d'état / image du défaut | Cause | Mesure |
|--|--|---|
| La LED verte ne s'allume pas | Pas de tension ou tension inférieure aux valeurs limites | Contrôler l'alimentation électrique, contrôler tous les branchements électriques (câbles et connexions) |
| La LED verte ne s'allume pas | Coupures d'alimentation électrique | S'assurer que l'alimentation électrique est stable et ininterrompue |
| La LED verte ne s'allume pas | Le capteur est défectueux | Si l'alimentation électrique est en bon état, remplacer le capteur |
| La LED verte s'allume, pas de signal de sortie en cas de détection d'objet | SenderOff n'est pas correctement raccordée | Voir les informations sur le raccordement de l'entrée SenderOff |
| Les LED jaunes clignotent simultanément. | Le capteur n'est pas opérationnel. Lorsque la température ambiante est basse, le capteur se trouve en phase de réchauffement. Lorsque la température ambiante est trop élevée, le capteur s'est désactivé. | Lorsque la température ambiante est basse, patienter jusqu'à ce que le capteur se soit réchauffé. Lorsque la température ambiante est élevée, veiller au refroidissement. |
| La LED jaune clignote (brièvement) | Mode apprentissage | Contrôler le mode apprentissage |
| rechte gelbe LED leuchtet, kein Objekt im Strahlengang | La distance entre le capteur et l'arrière-plan est trop faible | Réduire la portée |
| L'objet est dans la trajectoire du faisceau, la LED jaune ne s'allume pas | La distance entre le capteur et l'objet est trop grande ou la portée est trop faible | Augmenter la portée |

25 Caractéristiques techniques

| | -Axx1x | -Axx2x | -Axx3x | -Axx4x | -Axx5x | -Axx6x |
|--|---|---|---|---|---|---|
| Classe laser | 1 | 1 | 1 | 1 | 1 | 1 |
| Diamètre spot / distance | < 11.0 mm / 1600 mm | < 10.0 mm / 1400 mm | < 14.0 mm / 2500 mm | <12.0 / 1800 mm | <12.0 / 1800 mm | <12.0 / 3800 mm |
| Sortie de commutation (courant de sortie I_{max}) | 1x PUSH/ PULL: PNP/NPN (50 mA) | 1x PUSH/ PULL: PNP/NPN (50 mA) | 1x PUSH/ PULL: PNP/NPN (50 mA) | 1x PUSH/ PULL: PNP/NPN (50 mA) | 1x PUSH/ PULL: PNP/NPN (50 mA) | 1x PUSH/ PULL: PNP/NPN (50 mA) |
| Distance de commutation | 100 ... 1600 mm ¹⁾ | 100 ... 1400 mm ¹⁾ | 100 ... 2500 mm ¹⁾ | 100 ... 1800 ¹⁾ | 100 ... 1800 ¹⁾ | 100 ... 3800 ¹⁾ |
| Portée max. | 50 ... 1600 mm ¹⁾ | 50 ... 1400 mm ¹⁾ | 50 ... 2500 mm ¹⁾ | 50 ... 1800 ¹⁾ | 50 ... 1800 ¹⁾ | 50 ... 3800 ¹⁾ |
| Commutation max. | 1,000 Hz ²⁾ | 30 Hz ²⁾ | 1,000 Hz ²⁾ | 30 Hz ²⁾ | 100 Hz ²⁾ | 100 Hz ²⁾ |
| Temps de réponse max. | 0.5 ms ³⁾ | 16.7 ms ³⁾ | 0.5 ms ³⁾ | 16.7 ms ³⁾ | 5 ms ³⁾ | 5 ms ³⁾ |
| Sortie analogique | 1x 4 mA ... 20 mA ($\leq 450 \Omega$) 0 V ... 10 V ($\geq 50 \text{ k}\Omega$) configurable | 1x 4 mA ... 20 mA ($\leq 450 \Omega$) 0 V ... 10 V ($\geq 50 \text{ k}\Omega$) configurable | 1x 4 mA ... 20 mA ($\leq 450 \Omega$) 0 V ... 10 V ($\geq 50 \text{ k}\Omega$) configurable | 1x 4 mA ... 20 mA ($\leq 450 \Omega$) 0 V ... 10 V ($\geq 50 \text{ k}\Omega$) configurable | 1x 4 mA ... 20 mA ($\leq 450 \Omega$) 0 V ... 10 V ($\geq 50 \text{ k}\Omega$) configurable | 1x 4 mA ... 20 mA ($\leq 450 \Omega$) 0 V ... 10 V ($\geq 50 \text{ k}\Omega$) configurable |
| Plage de mesure | 100 ... 1600 mm | 100 ... 1400 mm | 100 ... 2500 mm | 100 ... 1800 mm | 100 ... 1800 mm | 100 ... 3800 mm |
| Résolution | 1 mm / 12 Bit | 1 mm / 12 Bit | 1 mm / 12 Bit | 1 mm / 12 Bit | 1 mm / 12 Bit | 1 mm / 12 Bit |
| Reproductibilité 1 | 2.7 ... 8.0 mm | 1.1 ... 1.5 mm | 2.3 ... 6.1 mm | 0.9 ... 1.3 mm | 1.2 ... 3.0 mm | 1.1 ... 3.0 mm |
| Précision | typ. ± 20 mm (50 ... 1000 mm) typ. ± 15 mm (1000 ... 1600 mm) | typ. ± 20 mm (50 ... 1000 mm) typ. ± 15 mm (1000 ... 1400 mm) | typ. ± 15 mm | typ. ± 15 mm | typ. ± 20 mm (50 ... 1000 mm) typ. ± 15 mm (1000 ... 1800 mm) | typ. ± 15 mm |
| Taux de sortie | 3 ms | 16.7 ms | 3 ms | 16.7 ms | 5 ms | 5 ms |
| Entrée | inactive (U Low): <5 V / active (U High): 12 V ... V_S | inactive (U Low): <5 V / active (U High): 12 V ... V_S | inactive (U Low): <5 V / active (U High): 12 V ... V_S | inactive (U Low): <5 V / active (U High): 12 V ... V_S | inactive (U Low): <5 V / active (U High): 12 V ... V_S | inactive (U Low): <5 V / active (U High): 12 V ... V_S |
| Indice de protection | IP 67 | IP 67 | IP 67 | IP 67 | IP 67 | IP 67 |
| Tension d'alimentation U_V | DC 12 ... 30 V (for use of analog voltage output $V_S = 13 \dots 30 \text{ V DC}$) ⁴⁾ | DC 12 ... 30 V (for use of analog voltage output $V_S = 13 \dots 30 \text{ V DC}$) ⁴⁾ | DC 12 ... 30 V (for use of analog voltage output $V_S = 13 \dots 30 \text{ V DC}$) ⁴⁾ | DC 12 ... 30 V (for use of analog voltage output $V_S = 13 \dots 30 \text{ V DC}$) ⁴⁾ | DC 12 ... 30 V (for use of analog voltage output $V_S = 13 \dots 30 \text{ V DC}$) ⁴⁾ | DC 12 ... 30 V (for use of analog voltage output $V_S = 13 \dots 30 \text{ V DC}$) ⁴⁾ |
| Classe de protection | III | III | III | III | III | III |
| Protections électriques | A, B, C ⁵⁾ | A, B, C ⁵⁾ | A, B, C ⁵⁾ | A, B, C ⁵⁾ | A, B, C ⁵⁾ | A, B, C ⁵⁾ |
| Température de service | -35 ... +50 °C ⁶⁾ | -35 ... +50 °C ⁶⁾ | -35 ... +50 °C ⁶⁾ | -35 ... +50 °C ⁶⁾ | -35 ... +50 °C ⁶⁾ | -35 ... +50 °C ⁶⁾ |
| Temps de montée en température | <15 min | <15 min | <15 min | <15 min | <15 min | <15 min |

| | -Axx1x | -Axx2x | -Axx3x | -Axx4x | -Axx5x | -Axx6x |
|--|--------|--------|--------|--------|--------|--------|
| 1) Objet avec 6 % ... 90 % de réémission (par rapport au blanc standard selon DIN 5033) 2) Pour un rapport clair/sombre de 1:1 3) Temps de propagation du signal sur charge ohmique 4) Valeurs limites ; fonctionnement sur réseau protégé contre les courts-circuits max. 8 A ; ondulation résiduelle max. 5 Vcc 5) Pour $UV \leq 24$ V. A partir de $TU = 45$ °C une résistance de charge maximale sur QA de 300 Ω à 450 Ω est admissible. Sous $TU = -10$ °C, un temps de montée en température est nécessaire. | | | | | | |

26 Démontage et mise au rebut

Le capteur doit être mis au rebut selon les réglementations spécifiques au pays respectif. Dans la limite du possible, les matériaux du capteur doivent être recyclés (notamment les métaux précieux).




REMARQUE

Mise au rebut des batteries, des appareils électriques et électroniques

- Selon les directives internationales, les batteries, accumulateurs et appareils électriques et électroniques ne doivent pas être mis au rebut avec les ordures ménagères.
- Le propriétaire est obligé par la loi de retourner ces appareils à la fin de leur cycle de vie au point de collecte respectif.



 Ce symbole sur le produit, son emballage ou dans ce document indique qu'un produit est soumis à ces réglementations.

27 Maintenance

Les capteurs SICK ne nécessitent aucune maintenance.

Nous vous recommandons de procéder régulièrement

- au nettoyage des surfaces optiques
- au contrôle des vissages et des connexions enfichables

Ne procéder à aucune modification sur les appareils.

Sujet à modification sans préavis. Les caractéristiques du produit et techniques fournies ne sont pas une déclaration de garantie.

PowerProx Analog - WTT12L-Axxx

Barreira de luz MultiTask

SICK
Sensor Intelligence.



de
en
es
fr
it
ja
pt
ru
zh

Produto descrito

PowerProx Small Analog - WTT12L-Axxx

Fabricante

SICK AG
Erwin-Sick-Str. 1
79183 Waldkirch
Alemanha

Notas legais

Reservados os direitos autorais do presente documento. Todos os direitos permanecem em propriedade da empresa SICK AG. A reprodução total ou parcial desta obra só é permitida dentro dos limites regulamentados pela Lei de Direitos Autorais. É proibido alterar, resumir ou traduzir esta obra sem a autorização expressa e por escrito da SICK AG.

As marcas citadas neste documento são de propriedade de seus respectivos proprietários.

© SICK AG. Todos os direitos reservados

Documento original




Este é um documento original da SICK AG.




Índice

| | | |
|-----------|---|-----------|
| 28 | Instruções gerais de segurança..... | 40 |
| 29 | Indicações sobre a homologação UL..... | 40 |
| 30 | Descrição do produto..... | 40 |
| | 30.1 Especificações de uso..... | 40 |
| | 30.2 Desenho dimensional..... | 41 |
| 31 | Colocação em operação..... | 42 |
| | 31.1 Verificar as condições de uso:..... | 42 |
| | 31.2 Montagem..... | 43 |
| | 31.3 Sistema eletrônico..... | 43 |
| | 31.4 Alinhamento..... | 44 |
| 32 | Configuração..... | 44 |
| | 32.1 Ajuste..... | 44 |
| 33 | Eliminação de falhas..... | 46 |
| | 33.1 Eliminação de falhas..... | 46 |
| | 33.2 Tabela Diagnóstico de erros..... | 46 |
| 34 | Dados técnicos..... | 47 |
| 35 | Desmontagem e descarte..... | 48 |
| 36 | Manutenção..... | 48 |

28 Instruções gerais de segurança

- Leia o manual de instruções antes de colocar em operação.
-  Conexão, montagem e configuração só podem ser realizadas por especialistas treinados.
-  Não é um componente de segurança em conformidade com a Diretriz de Máquinas da UE.
-  Ao colocar em operação, proteja o dispositivo de umidade e contaminação.
- Esse manual de instruções contém informações necessárias durante o ciclo de vida do sensor.

| | |
|--|------------|
| LASER CLASS 1 | |
|  | Laser 1 |
| EN/IEC 60825-1:2014 IEC60825-1:2007 | |
| Maximum pulse power < 20 mW Puls length: 5.3 µs Wavelength: 940 nm | |
| Complies with 21 CFR 1040.10 and 1040.11 except for deviations pursuant to Laser Notice No. 50, dated June 24, 2007 | |



ATENÇÃO

AVISO: Interrupção, manipulação ou uso incorreto pode levar a exposição a riscos devido à radiação do laser.

29 Indicações sobre a homologação UL

The device must be supplied by a Class 2 source of supply.

UL Environmental Rating: Enclosure type 1

30 Descrição do produto

30.1 Especificações de uso

O WTT12L-Axxxx é um sensor optoeletrônico de reflexão com emissão analógica do valor de distância (a seguir denominado “sensor”) utilizado para a detecção ótica e sem contato de objetos. Qualquer utilização diferente ou alterações do produto ocasionam a perda da garantia da SICK AG.

30.2 Desenho dimensional

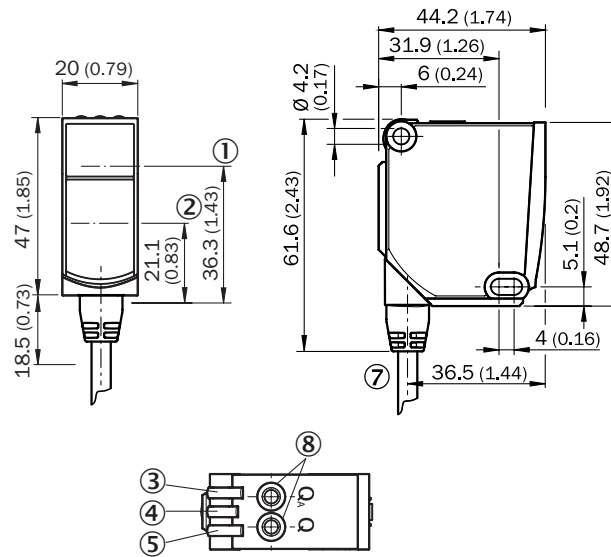


Figura 16: WTT12L-A1xxx / -A3xxx

- ① Centro do eixo do sistema óptico, emissor
- ② Centro do eixo do sistema óptico receptor
- ③ Indicador LED amarelo: status da saída analógica
- ④ LED indicador, verde: tensão de alimentação ativa
- ⑤ LED indicador amarelo: saída de comutação
- ⑥ Orifício de montagem D4,2 mm
- ⑦ Tomada de cabo
- ⑧ Tecla Teach simples

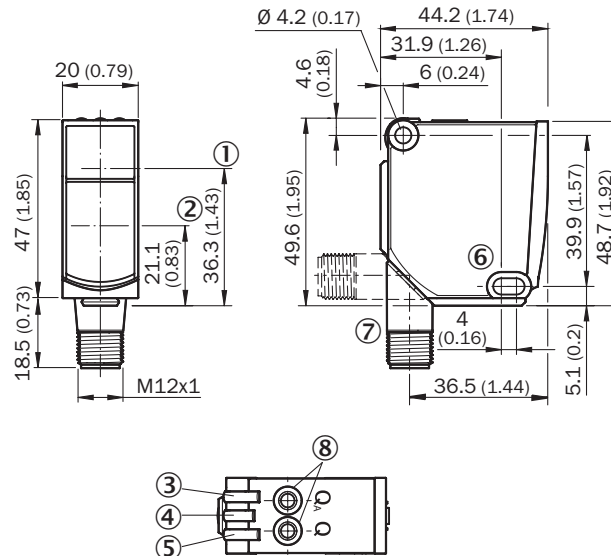


Figura 17: WTT12L-A2xxx

- ① Centro do eixo do sistema óptico, emissor
- ② Centro do eixo do sistema óptico receptor
- ③ Indicador LED amarelo: status da saída analógica
- ④ LED indicador, verde: tensão de alimentação ativa
- ⑤ LED indicador amarelo: saída de comutação

- ⑥ Orifício de montagem D4,2 mm
- ⑦ Ligue M12, 5 pinos
- ⑧ Tecla Teach simples

31 Colocação em operação

31.1 Verificar as condições de uso:

Saída analógica:

As informações sobre a precisão da saída analógica podem ser consultadas na tabela [Dados técnicos](#) bem como no diagrama H3, H4.

Saída de comutação:

Equiparar a distância de comutação e distância até o objeto ou plano de fundo, bem como a refletividade do objeto, com o respectivo diagrama [cp. H1, H2] (x = distância de comutação, y = distância mínima entre o objeto e o plano de fundo em mm (luminescência do objeto /luminescência do fundo)). Luminescência: 6% = preto, 90% = branco (com base no padrão branco da norma DIN 5033).

A distância mínima (= y) para a supressão do fundo pode ser obtida do diagrama [cp. H1①] como a seguir:

Exemplo : x = 1000 mm, y = 25 mm. Isto significa que o objeto suprime o plano de fundo a partir de uma distância > 25 mm.

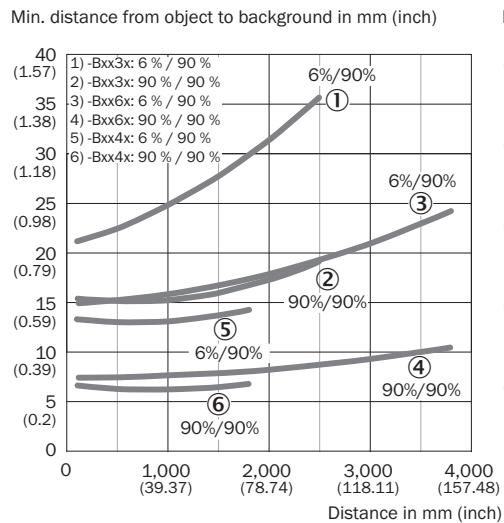


Figura: H-1

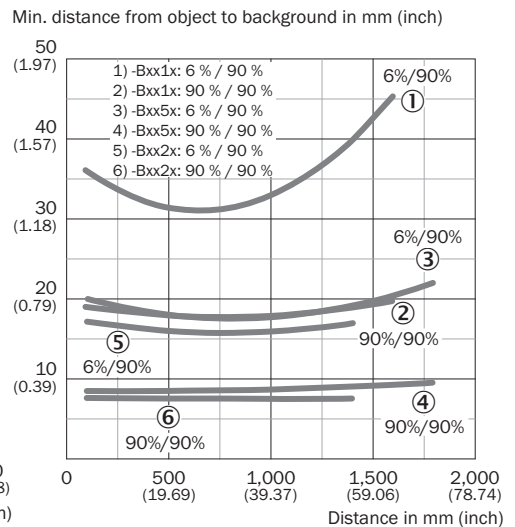


Figura: H-2

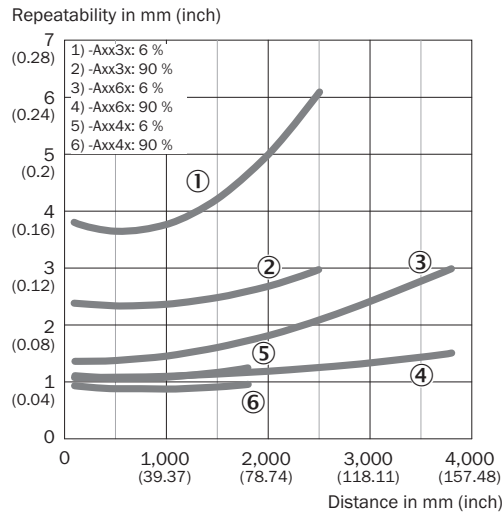


Figura: H-3

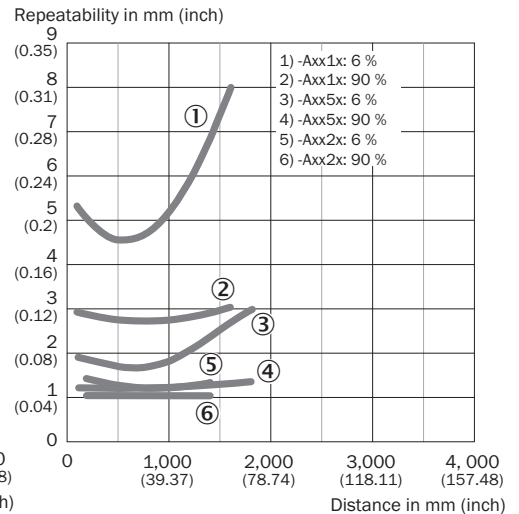


Figura: H-4

31.2 Montagem

Montar o sensor numa cantoneira de fixação adequada (ver linha de acessórios da SICK).

Observar o torque de aperto máximo permitido de 0,8 Nm para o sensor.

Observar a direção preferencial do objeto em relação ao sensor [cp. C].

31.3 Sistema eletrônico

A conexão dos sensores deve ser realizada em estado desenergizado ($U_V = 0\text{ V}$). Conforme o tipo de conexão, devem ser observadas as informações contidas nos gráficos [compare B]:

- Conector: Pin-out
- Cabo: Cor dos fios

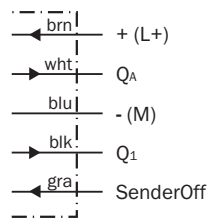


Figura: B: -A15X3

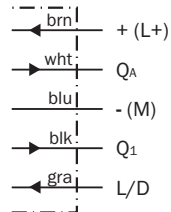


Figura: B: -A15X7

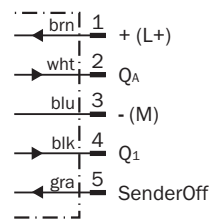


Figura: B-2: -A25X3/ -A35X3

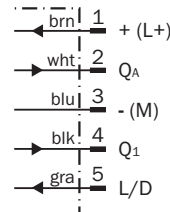


Figura: B: -A25X7 / -A35X7

Instalar ou ligar a alimentação de tensão ($U_V > 0\text{ V}$) somente após a conexão de todas as conexões elétricas. O indicador LED verde está aceso no sensor.

Explicações relativas ao esquema de conexões (Gráfico B):

SenderOff = desligamento do LED de emissão, high-active

L/D = Comutador por sombra/luz

31.4 Alinhamento

Alinhar o sensor ao objeto. Posicionar, de forma que o feixe da luz de emissão vermelha incida sobre o centro do objeto. Certificar-se de que a abertura óptica (vidro frontal) do sensor esteja completamente livre [cp. D]. Recomendamos efetuar o ajuste com um objeto de baixa luminância.

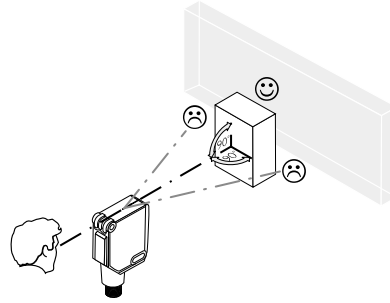


Figura: D

32 Configuração

32.1 Ajuste

Efetuar a parametrização:

a) Configuração da saída analógica

A saída analógica está configurada de fábrica como a seguir:

4 mA = 100 mm

20 mA = alcance máximo (dependendo do tipo)

O ajuste pode ser adaptado com a tecla teach-in Q_A à aplicação (ver os gráficos E e G). Não acionar a tecla Teach-in com objetos pontiagudos. A sequência de aprendizagem e a distância do objeto definem a característica da saída analógica. Manter o objeto no caminho óptico. Manter premida a tecla teach-in $Q_A > 1$ s até que o LED amarelo comece a piscar, em seguida soltar a tecla. O LED continua a piscar. A distância atual ao objeto é atribuída ao valor 4 mA (0,05 V). Em seguida, deslocar o objeto. Premir novamente a tecla teach-in $Q_A > 1$ s até que o LED amarelo pare de piscar. A distância agora medida até o objeto é atribuída ao valor 20 mA (10 V). Dependendo de se o objeto for deslocado de perto para longe ou vice-versa, surge uma borda que sobe ou desce. A saída analógica pode ser comutada entre a saída de tensão e decorrente (ver o gráfico J). Para isso, manter premida a tecla teach-in $Q_A > 10$ s até que o LED amarelo esquerdo e o LED verde pisquem alternadamente. Em seguida, soltar a tecla. O LED verde continua a piscar. Dependendo de se o sensor encontrar-se no modo de tensão ou decorrente, o LED esquerdo acende. Para comutar entre os modos, premir brevemente a tecla t_{Q_A} . Se por > 10 s não for premida uma tecla, o sensor memoriza o modo atual e sai do menu de ajustes.

b) Configuração da saída analógica

O ajuste da distância de comutação é efetuado com a pressão da tecla teach-in $Q > 1$ s (ver o gráfico F). Não acionar a tecla Teach-in com objetos pontiagudos. Recomendamos posicionar a distância de comutação no objeto. Após o ajuste da distância de comutação, remover o objeto do caminho óptico; o fundo é suprimido e a saída de comutação se altera (ver gráfico C).

c) Ajuste através de SOPAS e transferência dos ajustes com o SICKMemory Stick Como alternativa, o sensor pode ser ajustado através do software próprio da SICK, SOPAS. Também pode ser usado o acessório SICKMemory Stick (IOLP2ZZ-M3201, número de artigo 1064290) para transferir os ajustes de um sensor para o outro sensor. Se tiver perguntas, entre em contato com o seu representante.

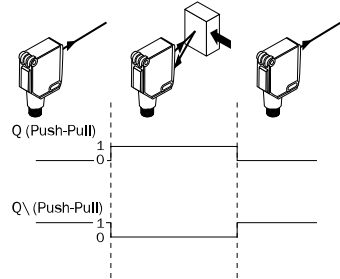


Figura: C

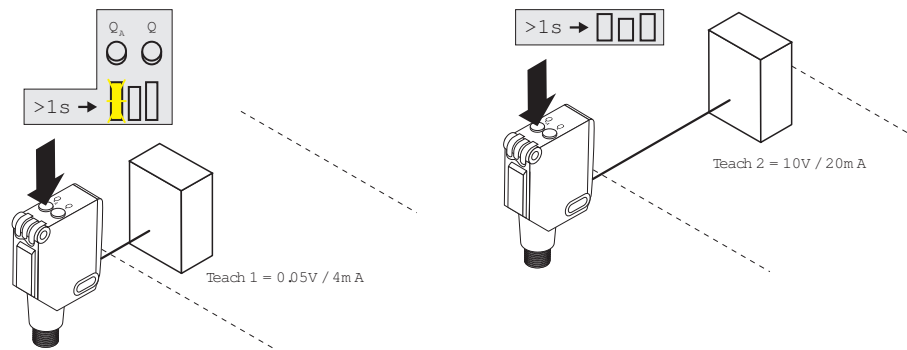


Figura: E

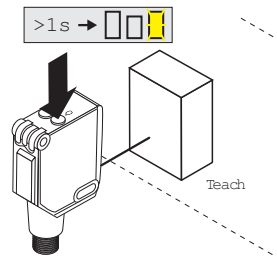


Figura 18: F

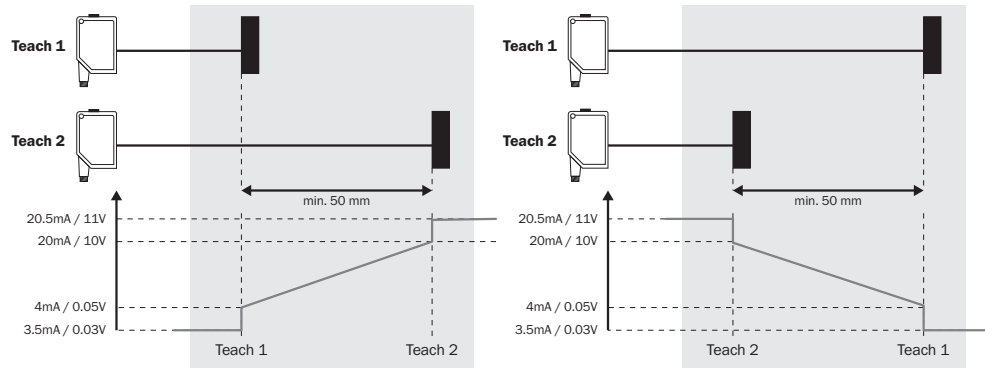


Figura 19: G

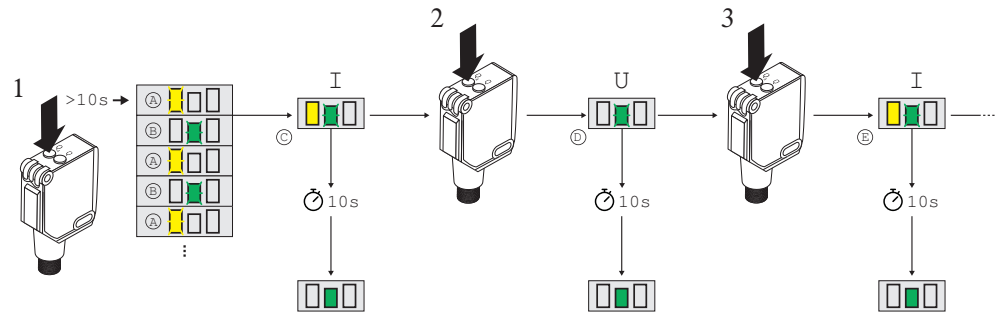


Figura 20: J

33 Eliminação de falhas

33.1 Eliminação de falhas

A tabela Eliminação de falhas mostra as medidas a serem executadas, quando o sensor não estiver funcionando.

33.2 Tabela Diagnóstico de erros

| Indicador LED / padrão de erro | Causa | Medida |
|--|---|--|
| LED verde apagado | Sem tensão ou tensão abaixo dos valores-limite | Verificar a alimentação de tensão, verificar toda a conexão elétrica (cabos e conectores) |
| LED verde apagado | Interrupções de tensão | Assegurar uma alimentação de tensão estável sem interrupções |
| LED verde apagado | Sensor está com defeito | Se a alimentação de tensão estiver em ordem, substituir o sensor |
| LED verde aceso, sem sinal de saída na detecção de objetos | SenderOff não está conectada corretamente | Ver observação relativa à conexão da SenderOff |
| LEDs amarelos piscam sincronicamente | Sensor não está operacional. Em caso de temperaturas ambientes muito baixas, o sensor encontra-se na fase de aquecimento. Em caso de temperaturas ambientes altas demais, houve o desligamento do sensor. | Em caso de temperaturas ambientes muito baixas, aguardar até que o sensor tenha se aquecido. Em caso de temperaturas ambientes altas demais, providenciar o resfriamento |
| LED amarelo intermitente (apenas rapidamente) | Modo Teach | Verificar o modo Teach |
| rechte gelbe LED leuchtet, kein Objekt im Strahlengang | Distância entre sensor e fundo é pequena demais | Reduzir a distância de comutação. |
| Objeto está no caminho óptico, LED amarelo apagado | Distância entre sensor e objeto é grande demais ou distância de comutação foi ajustada para um valor baixo demais | Aumentar a distância de comutação. |

34 Dados técnicos

| | -Axx1x | -Axx2x | -Axx3x | -Axx4x | -Axx5x | -Axx6x |
|--|--|--|--|--|--|--|
| Classe de laser | 1 | 1 | 1 | 1 | 1 | 1 |
| Diâmetro do ponto de luz/ distância | < 11.0 mm / 1600 mm | < 10.0 mm / 1400 mm | < 14.0 mm / 2500 mm | <12.0 / 1800 mm | <12.0 / 1800 mm | <12.0 / 3800 mm |
| Saída de comutação (corrente de saída I _{máx.}) | 1x PUSH/ PULL: PNP/NPN (50 mA) | 1x PUSH/ PULL: PNP/NPN (50 mA) | 1x PUSH/ PULL: PNP/NPN (50 mA) | 1x PUSH/ PULL: PNP/NPN (50 mA) | 1x PUSH/ PULL: PNP/NPN (50 mA) | 1x PUSH/ PULL: PNP/NPN (50 mA) |
| Distância de comutação | 100 ... 1600 mm ¹⁾ | 100 ... 1400 mm ¹⁾ | 100 ... 2500 mm ¹⁾ | 100 ... 1800 ¹⁾ | 100 ... 1800 ¹⁾ | 100 ... 3800 ¹⁾ |
| Distância de comutação máx. | 50 ... 1600 mm ¹⁾ | 50 ... 1400 mm ¹⁾ | 50 ... 2500 mm ¹⁾ | 50 ... 1800 ¹⁾ | 50 ... 1800 ¹⁾ | 50 ... 3800 ¹⁾ |
| Sequência máx. de comutação | 1,000 Hz ²⁾ | 30 Hz ²⁾ | 1,000 Hz ²⁾ | 30 Hz ²⁾ | 100 Hz ²⁾ | 100 Hz ²⁾ |
| Tempo máx. de resposta | 0.5 ms ³⁾ | 16.7 ms ³⁾ | 0.5 ms ³⁾ | 16.7 ms ³⁾ | 5 ms ³⁾ | 5 ms ³⁾ |
| Saída analógica | 1x 4 mA ... 20 mA (≤450 Ω)0 V ... 10 V (≥50 k Ω) configurable | 1x 4 mA ... 20 mA (≤450 Ω)0 V ... 10 V (≥50 k Ω) configurable | 1x 4 mA ... 20 mA (≤450 Ω)0 V ... 10 V (≥50 k Ω) configurable | 1x 4 mA ... 20 mA (≤450 Ω)0 V ... 10 V (≥50 k Ω) configurable | 1x 4 mA ... 20 mA (≤450 Ω)0 V ... 10 V (≥50 k Ω) configurable | 1x 4 mA ... 20 mA (≤450 Ω)0 V ... 10 V (≥50 k Ω) configurable |
| Faixa de medição | 100 ... 1600 mm | 100 ... 1400 mm | 100 ... 2500 mm | 100 ... 1800 mm | 100 ... 1800 mm | 100 ... 3800 mm |
| Resolução | 1 mm / 12 Bit | 1 mm / 12 Bit | 1 mm / 12 Bit | 1 mm / 12 Bit | 1 mm / 12 Bit | 1 mm / 12 Bit |
| Reprodutibilidade 1 | 2.7 ... 8.0 mm | 1.1 ... 1.5 mm | 2.3 ... 6.1 mm | 0.9 ... 1.3 mm | 1.2 ... 3.0 mm | 1.1 ... 3.0 mm |
| Precisão | typ. ±20 mm (50 ... 1000 mm) typ. ±15 mm (1000 ... 1600 mm) | typ. ±20 mm (50 ... 1000 mm) typ. ±15 mm (1000 ... 1400 mm) | typ. ±15 mm | typ. ±15 mm | typ. ±20 mm (50 ... 1000 mm) typ. ±15 mm (1000 ... 1800 mm) | typ. ±15 mm |
| Taxa de emissão | 3 ms | 16.7 ms | 3 ms | 16.7 ms | 5 ms | 5 ms |
| Entrada | inactive (U Low): <5 V / active (U High): 12 V ... V _S | inactive (U Low): <5 V / active (U High): 12 V ... V _S | inactive (U Low): <5 V / active (U High): 12 V ... V _S | inactive (U Low): <5 V / active (U High): 12 V ... V _S | inactive (U Low): <5 V / active (U High): 12 V ... V _S | inactive (U Low): <5 V / active (U High): 12 V ... V _S |
| Tipo de proteção | IP 67 | IP 67 | IP 67 | IP 67 | IP 67 | IP 67 |
| Tensão de alimentação U _V | DC 12 ... 30 V (for use of analog vol- tage output VS = 13 ... 30 V DC) ⁴⁾ | DC 12 ... 30 V (for use of analog vol- tage output VS = 13 ... 30 V DC) ⁴⁾ | DC 12 ... 30 V (for use of analog vol- tage output VS = 13 ... 30 V DC) ⁴⁾ | DC 12 ... 30 V (for use of analog vol- tage output VS = 13 ... 30 V DC) ⁴⁾ | DC 12 ... 30 V (for use of analog vol- tage output VS = 13 ... 30 V DC) ⁴⁾ | DC 12 ... 30 V (for use of analog vol- tage output VS = 13 ... 30 V DC) ⁴⁾ |
| Classe de proteção | III | III | III | III | III | III |
| Circuitos de proteção | A, B, C ⁵⁾ | A, B, C ⁵⁾ | A, B, C ⁵⁾ | A, B, C ⁵⁾ | A, B, C ⁵⁾ | A, B, C ⁵⁾ |
| Temperatura ambiente de funcio- namento | -35 ... +50 °C ⁶⁾ | -35 ... +50 °C ⁶⁾ | -35 ... +50 °C ⁶⁾ | -35 ... +50 °C ⁶⁾ | -35 ... +50 °C ⁶⁾ | -35 ... +50 °C ⁶⁾ |
| Tempo de aquecimento | <15 min | <15 min | <15 min | <15 min | <15 min | <15 min |

| | -Axx1x | -Axx2x | -Axx3x | -Axx4x | -Axx5x | -Axx6x |
|---|--------|--------|--------|--------|--------|--------|
| 1) Objeto a ser detectado com 6 % ... 90% de luminância (com base no padrão branco DIN 5033) 2) Com proporção sombra/luz 1:1 3) Tempo de funcionamento do sinal com carga ôhmica 4) Valores limite; funcionamento com rede à prova de curto-circuito máx. 8 A; ondulação residual máx. 5 Vss 5) Para $UV \leq 24$ V. A partir de $TU = 45$ °C é permitido um resistor de carga máximo em QA de 300Ω ... 450Ω . Abaixo de uma $TU = -10$ °C, é necessário um tempo de aquecimento. | | | | | | |

35 Desmontagem e descarte

O sensor deve ser descartado de acordo com os regulamentos específicos por país aplicáveis. Deve-se realizar um esforço durante o processo de descarte para reciclar os materiais constituintes (particularmente metais preciosos).



NOTA

Descarte de pilhas e dispositivos elétricos e eletrônicos

- De acordo com diretrizes internacionais, pilhas, acumuladores e dispositivos elétricos ou eletrônicos não devem ser descartados junto do lixo comum.
- O proprietário é obrigado por lei a retornar esses dispositivos ao fim de sua vida útil para os pontos de coleta públicos respectivos.



Este símbolo sobre o produto, seu pacote ou neste documento, indica que um produto está sujeito a esses regulamentos.

36 Manutenção

Os sensores SICK não requerem manutenção.

Recomendamos que se efetue em intervalos regulares

- uma limpeza das superfícies ópticas
- uma verificação das conexões roscadas e dos conectores

Não são permitidas modificações no aparelho.

Sujeito a alterações sem aviso prévio. As propriedades do produto e os dados técnicos especificados não constituem nenhum certificado de garantia.

PowerProx Analog - WTT12L-Axxx

Sensore fotoelettrico MultiTask

SICK
Sensor Intelligence.



de
en
es
fr
it
ja
pt
ru
zh

Descrizione prodotto

PowerProx Small Analog - WTT12L-Axxx

Produttore

SICK AG
Erwin-Sick-Str. 1
79183 Waldkirch
Germania

Note legali

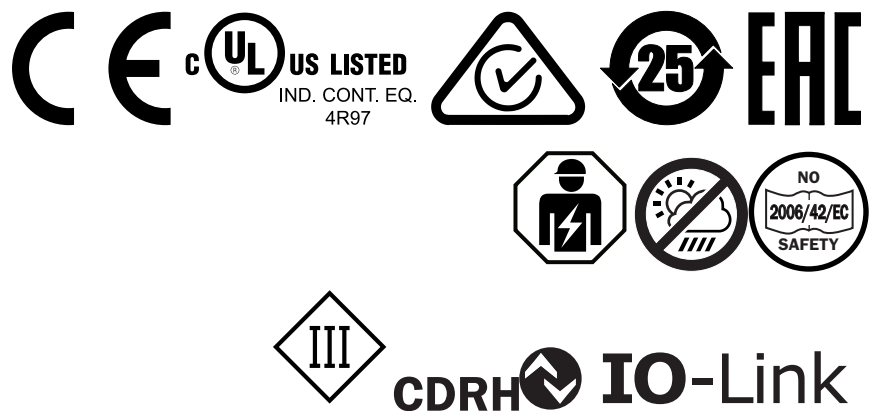
Questo manuale è protetto dai diritti d'autore. I diritti che ne conseguono rimangono alla ditta SICK. Il manuale o parti di esso possono essere fotocopiati esclusivamente entro i limiti previsti dalle disposizioni di legge in materia di diritti d'autore. Non è consentito modificare, abbreviare o tradurre il presente manuale senza previa autorizzazione scritta della ditta SICK AG.

I marchi riportati nel presente manuale sono di proprietà del rispettivo proprietario.

© SICK AG. Tutti i diritti riservati.

Documento originale




Questo documento è un originale della ditta SICK AG.




Indice

| | | |
|-----------|--|-----------|
| 37 | Avvertenze di sicurezza generali..... | 52 |
| 38 | Indicazioni sull'omologazione UL..... | 52 |
| 39 | Descrizione del prodotto..... | 52 |
| | 39.1 Uso conforme alle disposizioni..... | 52 |
| | 39.2 Disegno quotato..... | 53 |
| 40 | Messa in funzione..... | 54 |
| | 40.1 Controllare le condizioni d'impiego:..... | 54 |
| | 40.2 Montaggio..... | 55 |
| | 40.3 Elettronica..... | 55 |
| | 40.4 Orientamento..... | 56 |
| 41 | Configurazione..... | 56 |
| | 41.1 Regolazione..... | 56 |
| 42 | Eliminazione difetti..... | 58 |
| | 42.1 Eliminazione difetti..... | 58 |
| | 42.2 Tabella diagnostica anomalie..... | 58 |
| 43 | Dati tecnici..... | 59 |
| 44 | Smontaggio e smaltimento..... | 60 |
| 45 | Manutenzione..... | 60 |

37 Avvertenze di sicurezza generali

- Prima di eseguire la messa in servizio, leggere le istruzioni per l'uso.
-  Il collegamento, il montaggio e la configurazione devono essere eseguiti esclusivamente da personale tecnico qualificato.
-  Non è un componente di sicurezza ai sensi della Direttiva Macchine UE.
-  Durante la messa in servizio, proteggere il dispositivo dall'umidità e da possibili contaminazioni.
- Le presenti Istruzioni per l'uso contengono informazioni necessarie durante il ciclo di vita del sensore.

| | |
|--|------------|
| LASER CLASS 1 | |
|  | Laser 1 |
| EN/IEC 60825-1:2014 IEC60825-1:2007 | |
| Maximum pulse power < 20 mW Puls length: 5.3 µs Wavelength: 940 nm | |
| Complies with 21 CFR 1040.10 and 1040.11 except for deviations pursuant to Laser Notice No. 50, dated June 24, 2007 | |



ATTENZIONE

ATTENZIONE: l'interruzione, la manipolazione o l'uso improprio possono causare un'esposizione pericolosa dovuta a radiazioni laser.

38 Indicazioni sull'omologazione UL

The device must be supplied by a Class 2 source of supply.

UL Environmental Rating: Enclosure type 1

39 Descrizione del prodotto

39.1 Uso conforme alle disposizioni

WTT12L-Axxxx è un sensore fotoelettrico energetico con emissione analogica di distanza (di seguito detto sensore) utilizzato per il rilevamento ottico senza contatto di oggetti. Se viene utilizzato diversamente e in caso di modifiche del prodotto, decade qualsiasi diritto alla garanzia nei confronti SICK.

39.2 Disegno quotato

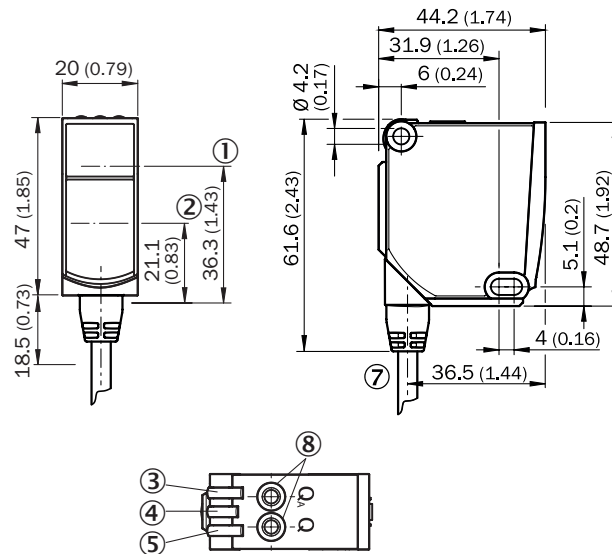


Figura 21: WTT12L-A1xxx / -A3xxx

- ① Centro asse ottico trasmettitore
- ② Centro asse ottico ricevitore
- ③ Indicatore LED giallo: stato dell'uscita analogica
- ④ Indicatore LED verde: tensione di alimentazione attiva
- ⑤ Indicatore LED giallo: uscita di commutazione
- ⑥ Foro di fissaggio D4.2 mm
- ⑦ Uscita del cavo
- ⑧ Semplice tasto Teach

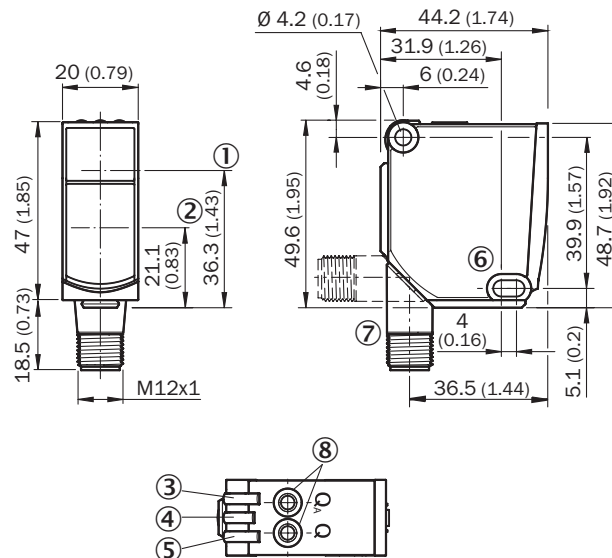


Figura 22: WTT12L-A2xxx

- ① Centro asse ottico trasmettitore
- ② Centro asse ottico ricevitore
- ③ Indicatore LED giallo: stato dell'uscita analogica
- ④ Indicatore LED verde: tensione di alimentazione attiva
- ⑤ Indicatore LED giallo: uscita di commutazione

- ⑥ Foro di fissaggio D4.2 mm
- ⑦ Connettore maschio M12, 5 pin
- ⑧ Semplice tasto Teach

40 Messa in funzione

40.1 Controllare le condizioni d'impiego:

Uscita analogica:

i dati precisi dell'uscita analogica sono riportati nella tabella [Dati tecnici](#) e nel diagramma H3, H4.

Uscita di commutazione:

Predisporre la distanza di lavoro e la distanza dall'oggetto o dallo sfondo nonché il coefficiente di riflessione dell'oggetto in base al relativo diagramma [cfr. H1, H2] (x = distanza di comunicazione, y = distanza minima tra oggetto e sfondo in mm (coefficiente di riflessione oggetto / coefficiente di riflessione sfondo)). Coefficiente di riflessione: 6% = nero, 90% = bianco (riferito al bianco standard secondo DIN 5033).

La distanza minima (= y) per la soppressione di sfondo può essere letta dal diagramma [cfr. H1①] come segue:

Esempio: $x = 1.000$ mm, $y = 25$ mm. Questo significa che lo sfondo viene soppresso a partire da una distanza > 25 mm dall'oggetto.

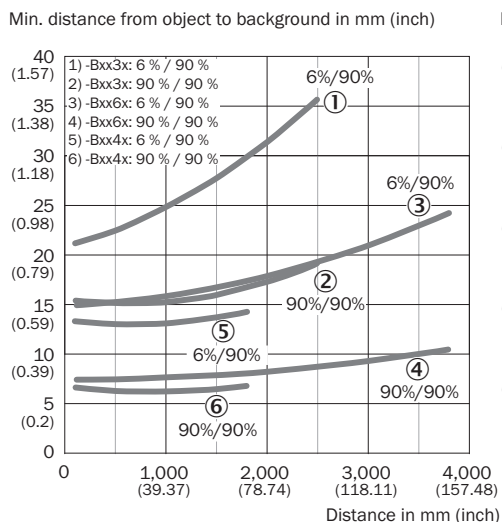


Figura: H-1

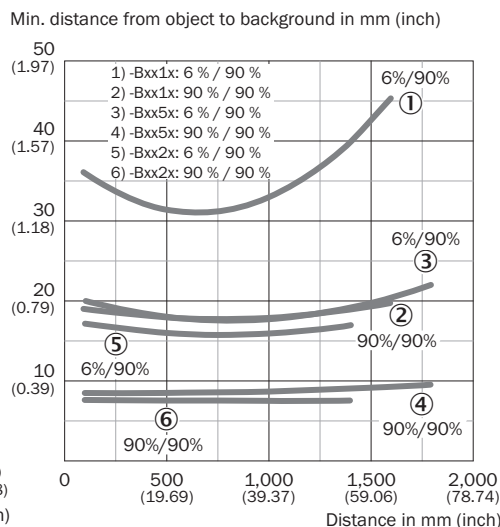


Figura: H-2

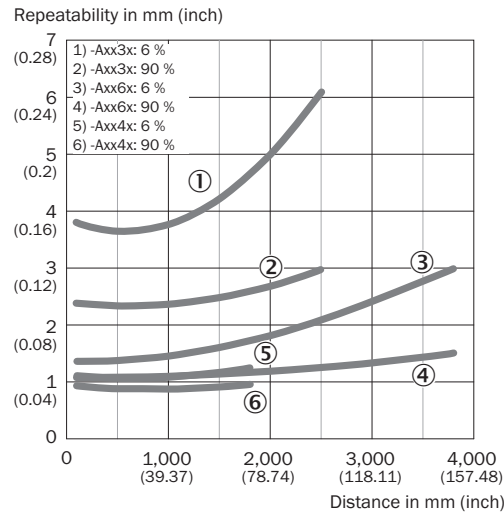


Figura: H-3

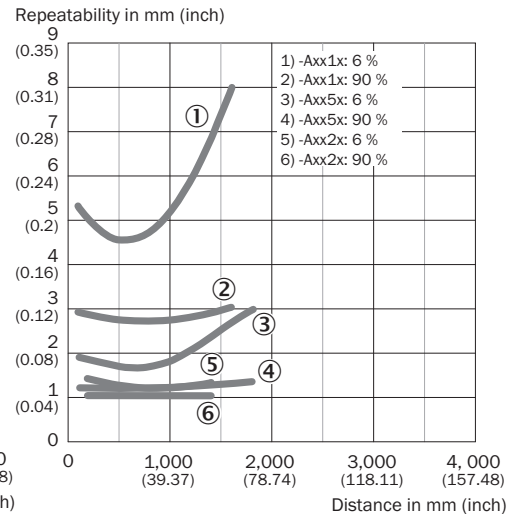


Figura: H-4

40.2 Montaggio

Montare il sensore su un punto di fissaggio adatto (vedi il programma per accessori SICK).

Rispettare il momento torcente massimo consentito del sensore di 0,8 Nm.

Rispettare la direzione preferenziale dell'oggetto in relazione al sensore [cfr. C].

40.3 Elettronica

Il collegamento dei sensori deve avvenire in assenza di tensione ($U_V = 0 V$). In base al tipo di collegamento si devono rispettare le informazioni nei grafici [cfr. B]:

- Collegamento a spina: assegnazione pin
- Cavo: colore filo

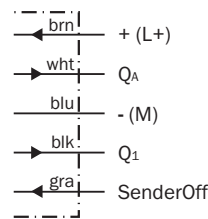


Figura: B: -A15X3

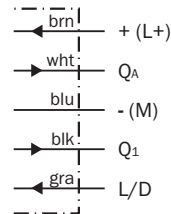


Figura: B: -A15X7

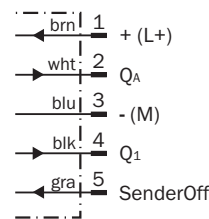


Figura: B-2: -A25X3/ -A35X3

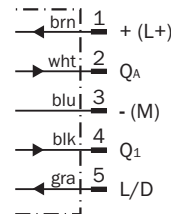


Figura: B: -A25X7 / -A35X7

Solamente in seguito alla conclusione di tutti i collegamenti elettrici, ripristinare o accendere l'alimentazione elettrica ($U_V > 0 V$). Sul sensore si accende l'indicatore LED verde.

Spiegazioni dello schema di collegamento (grafico B):

SenderOff = disattivazione del LED di emissione, high-active

L/D = funzionamento light on/dark on

40.4 Orientamento

Orientare il sensore sul rispettivo oggetto. Scegliere la posizione in modo tale che il raggio di luce rosso emesso colpisca il centro dell'oggetto. Fare attenzione affinché l'apertura ottica del sensore (finestrella frontale) sia completamente libera [cfr. D]. Si consiglia di effettuare l'impostazione con un oggetto a bassa riflessione.

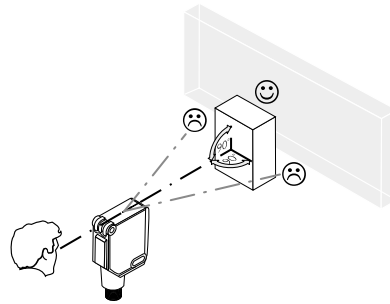


Figura: D

41 Configurazione

41.1 Regolazione

Eeguire la parametrizzazione:

a) Regolazione dell'uscita analogica

L'uscita analogica viene regolata in fabbrica come segue:

4 mA = 100 mm

20 mA = distanza operativa massima (a seconda del modello)

La regolazione può essere adattata all'applicazione con il pulsante teach-in Q_A (vedere grafici E e G). Non azionare il pulsante teach-in con oggetti appuntiti. La sequenza di teach e la distanza dell'oggetto definiscono la linea caratteristica dell'uscita analogica. Tenere l'oggetto nella traiettoria del raggio. Tenere premuto il pulsante teach-in $Q_A > 1s$ finché il LED giallo sinistro inizia a lampeggiare, successivamente rilasciare il tasto. Il LED continua a lampeggiare. L'attuale distanza dall'oggetto viene assegnata al valore 4 mA (0,05 V). Poi spostare l'oggetto. Premere di nuovo il pulsante teach-in $Q_A > 1s$ finché il LED giallo sinistro smette di lampeggiare. La distanza dall'oggetto ora misurata viene assegnata al valore 20 mA (10 V). A seconda se l'oggetto viene spostato da vicino a lontano o viceversa, si genera un bordo ascendente o discendente. L'uscita analogica può essere commutata tra uscita di corrente e uscita di tensione (vedere grafico J). A tal fine tenere premuto il pulsante teach-in $Q_A > 10s$ finché il LED giallo sinistro e il LED verde lampeggiano alternatamente. Poi rilasciare il tasto. Il LED verde continua a lampeggiare. A seconda se il sensore si trova in modalità corrente o tensione, il LED giallo sinistro è acceso. Per passare tra le modalità, premere brevemente il pulsante teach-in Q_A . Se per $> 10s$ non viene premuto alcun tasto, il sensore memorizza la modalità attuale ed esce dal menu di impostazione.

b) Impostazione dell'uscita di commutazione

Premendo il pulsante teach-in $Q > 1s$ viene impostata la distanza di lavoro (vedere grafico F). Non azionare il pulsante teach-in con oggetti appuntiti. Si consiglia di inserire nell'oggetto la distanza di lavoro. In seguito all'impostazione della distanza di lavoro, allontanare l'oggetto dalla traiettoria del raggio, lo sfondo viene quindi soppresso e l'uscita di commutazione cambia (vedi grafico C/D).

c) Regolazione tramite SOPAS e trasferimento delle impostazioni con lamemory stick SICK

In alternativa il sensore può essere impostato tramite il software SOPAS di SICK. L'accessorio memory stick di SICK (IOLP2ZZ-M3201, articolo numero 1064290) può essere anche utilizzato per trasferire le impostazioni da un sensore all'altro. In caso di domande rivolgersi al proprio rivenditore di riferimento.

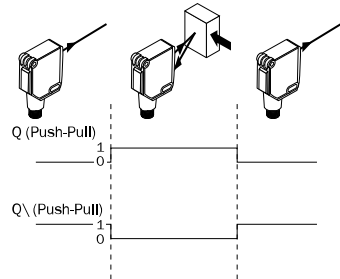


Figura: C

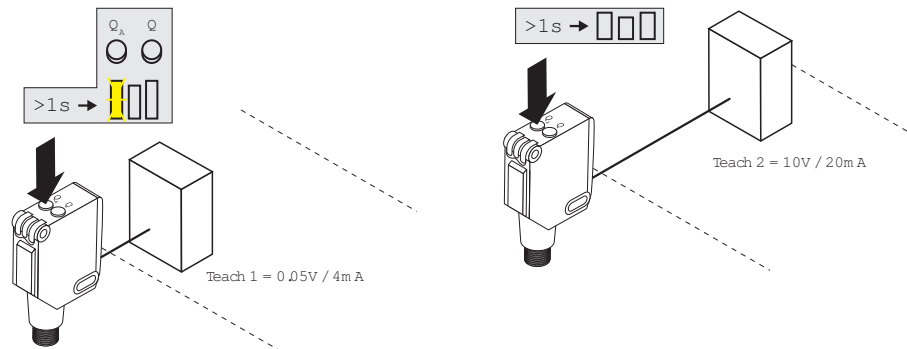


Figura: E

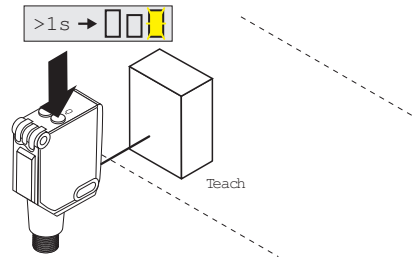


Figura 23: F

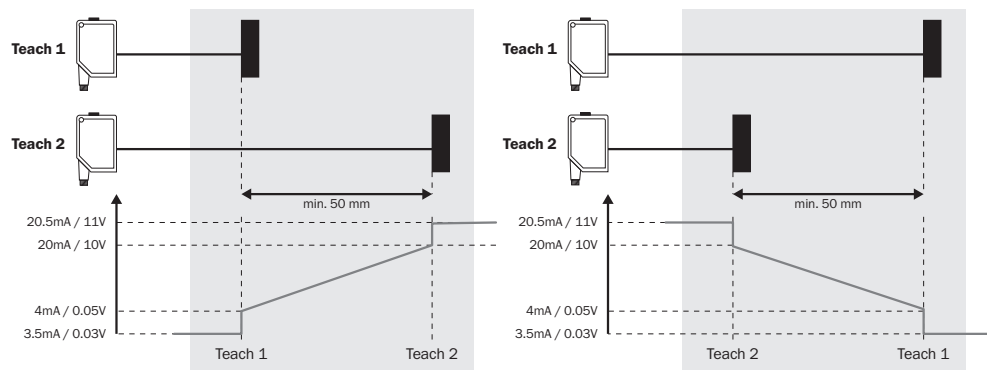


Figura 24: G

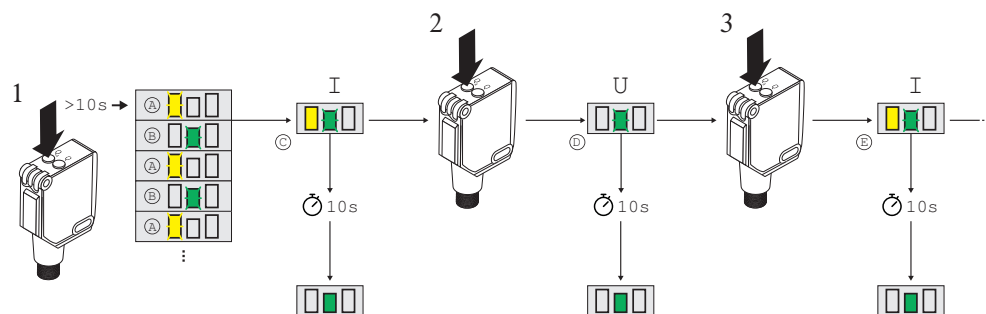


Figura 25: J

42 Eliminazione difetti

42.1 Eliminazione difetti

La tabella di rimozione dei disturbi mostra quali provvedimenti si devono adottare quando il sensore non funziona più.

42.2 Tabella diagnostica anomalie

| Indicatore LED / figura di errore | Causa | Provvedimento |
|--|---|--|
| Il LED verde non si accende | nessuna tensione o tensione al di sotto del valore soglia | Verificare la tensione di alimentazione e/o il collegamento elettrico |
| Il LED verde non si accende | Interruzioni di tensione | Assicurarsi che ci sia un'alimentazione di tensione stabile |
| Il LED verde non si accende | Il sensore è guasto | Se l'alimentazione di tensione è regolare, allora chiedere una sostituzione del sensore |
| il LED verde si accende, nessun segnale in uscita al momento di rilevamento dell'oggetto | SenderOff non è collegata correttamente | Vedi le indicazioni per il collegamento della SenderOff |
| i LED gialli lampeggiano in maniera sincrona | Il sensore non è pronto per il funzionamento. In presenza di basse temperature ambientali il sensore è in fase di riscaldamento. In presenza di temperature ambientali elevate il sensore si è disattivato. | In presenza di basse temperature ambientali attendere che il sensore si sia riscaldato. In presenza di temperature ambientali elevate provvedere al raffreddamento |
| il LED giallo lampeggia (solo brevemente) | Modalità Teach | Verificare la modalità Teach |
| rechte gelbe LED leuchtet, kein Objekt im Strahlengang | La distanza tra sensore e sfondo è inferiori alle capacità di funzionamento | Diminuire la distanza di commutazione |
| L'oggetto è nella traiettoria del raggio, il LED giallo non si accende | La distanza tra sensore e oggetto è troppo grande o la distanza di commutazione ha un'impostazione troppo bassa | Aumentare la distanza di commutazione |

43 Dati tecnici

| | -Axx1x | -Axx2x | -Axx3x | -Axx4x | -Axx5x | -Axx6x |
|--|--|--|--|--|--|--|
| Classe laser | 1 | 1 | 1 | 1 | 1 | 1 |
| Diámetro punto luminoso/ distanza | < 11.0 mm / 1600 mm | < 10.0 mm / 1400 mm | < 14.0 mm / 2500 mm | <12.0 / 1800 mm | <12.0 / 1800 mm | <12.0 / 3800 mm |
| Uscita di commutazione (corrente in uscita I_{max} .) | 1x PUSH/ PULL: PNP/NPN (50 mA) | 1x PUSH/ PULL: PNP/NPN (50 mA) | 1x PUSH/ PULL: PNP/NPN (50 mA) | 1x PUSH/ PULL: PNP/NPN (50 mA) | 1x PUSH/ PULL: PNP/NPN (50 mA) | 1x PUSH/ PULL: PNP/NPN (50 mA) |
| Distanza di commutazione | 100 ... 1600 mm ¹⁾ | 100 ... 1400 mm ¹⁾ | 100 ... 2500 mm ¹⁾ | 100 ... 1800 ¹⁾ | 100 ... 1800 ¹⁾ | 100 ... 3800 ¹⁾ |
| Distanza max. di commutazione | 50 ... 1600 mm ¹⁾ | 50 ... 1400 mm ¹⁾ | 50 ... 2500 mm ¹⁾ | 50 ... 1800 ¹⁾ | 50 ... 1800 ¹⁾ | 50 ... 3800 ¹⁾ |
| Sequenza di commutazione max. | 1,000 Hz ²⁾ | 30 Hz ²⁾ | 1,000 Hz ²⁾ | 30 Hz ²⁾ | 100 Hz ²⁾ | 100 Hz ²⁾ |
| Tempo di reazione max. | 0.5 ms ³⁾ | 16.7 ms ³⁾ | 0.5 ms ³⁾ | 16.7 ms ³⁾ | 5 ms ³⁾ | 5 ms ³⁾ |
| Uscita analogica | 1x 4 mA ... 20 mA (≤ 450 Ω) 0 V ... 10 V (≥ 50 k Ω) configurable | 1x 4 mA ... 20 mA (≤ 450 Ω) 0 V ... 10 V (≥ 50 k Ω) configurable | 1x 4 mA ... 20 mA (≤ 450 Ω) 0 V ... 10 V (≥ 50 k Ω) configurable | 1x 4 mA ... 20 mA (≤ 450 Ω) 0 V ... 10 V (≥ 50 k Ω) configurable | 1x 4 mA ... 20 mA (≤ 450 Ω) 0 V ... 10 V (≥ 50 k Ω) configurable | 1x 4 mA ... 20 mA (≤ 450 Ω) 0 V ... 10 V (≥ 50 k Ω) configurable |
| Campo di misura | 100 ... 1600 mm | 100 ... 1400 mm | 100 ... 2500 mm | 100 ... 1800 mm | 100 ... 1800 mm | 100 ... 3800 mm |
| Risoluzione | 1 mm / 12 Bit | 1 mm / 12 Bit | 1 mm / 12 Bit | 1 mm / 12 Bit | 1 mm / 12 Bit | 1 mm / 12 Bit |
| Riproducibilità 1 | 2.7 ... 8.0 mm | 1.1 ... 1.5 mm | 2.3 ... 6.1 mm | 0.9 ... 1.3 mm | 1.2 ... 3.0 mm | 1.1 ... 3.0 mm |
| Accuratezza | typ. ± 20 mm (50 ... 1000 mm) typ. ± 15 mm (1000 ... 1600 mm) | typ. ± 20 mm (50 ... 1000 mm) typ. ± 15 mm (1000 ... 1400 mm) | typ. ± 15 mm | typ. ± 15 mm | typ. ± 20 mm (50 ... 1000 mm) typ. ± 15 mm (1000 ... 1800 mm) | typ. ± 15 mm |
| Frequenza di uscita | 3 ms | 16.7 ms | 3 ms | 16.7 ms | 5 ms | 5 ms |
| Ingresso | inactive (U Low): <5 V / active (U High): 12 V ... V_S | inactive (U Low): <5 V / active (U High): 12 V ... V_S | inactive (U Low): <5 V / active (U High): 12 V ... V_S | inactive (U Low): <5 V / active (U High): 12 V ... V_S | inactive (U Low): <5 V / active (U High): 12 V ... V_S | inactive (U Low): <5 V / active (U High): 12 V ... V_S |
| Tipo di protezione | IP 67 | IP 67 | IP 67 | IP 67 | IP 67 | IP 67 |
| Tensione di alimentazione U_V | DC 12 ... 30 V (for use of analog vol- tage output $V_S = 13$... 30 V DC) ⁴⁾ | DC 12 ... 30 V (for use of analog vol- tage output $V_S = 13$... 30 V DC) ⁴⁾ | DC 12 ... 30 V (for use of analog vol- tage output $V_S = 13$... 30 V DC) ⁴⁾ | DC 12 ... 30 V (for use of analog vol- tage output $V_S = 13$... 30 V DC) ⁴⁾ | DC 12 ... 30 V (for use of analog vol- tage output $V_S = 13$... 30 V DC) ⁴⁾ | DC 12 ... 30 V (for use of analog vol- tage output $V_S = 13$... 30 V DC) ⁴⁾ |
| Classe di protezione | III | III | III | III | III | III |
| Commutazioni di protezione | A, B, C ⁵⁾ | A, B, C ⁵⁾ | A, B, C ⁵⁾ | A, B, C ⁵⁾ | A, B, C ⁵⁾ | A, B, C ⁵⁾ |
| Temperatura ambientale di fun- zionamento | -35 ... +50 °C ⁶⁾ | -35 ... +50 °C ⁶⁾ | -35 ... +50 °C ⁶⁾ | -35 ... +50 °C ⁶⁾ | -35 ... +50 °C ⁶⁾ | -35 ... +50 °C ⁶⁾ |
| Tempo di riscaldamento | <15 min | <15 min | <15 min | <15 min | <15 min | <15 min |

| | -Axx1x | -Axx2x | -Axx3x | -Axx4x | -Axx5x | -Axx6x |
|---|--------|--------|--------|--------|--------|--------|
| 1) Oggetto con il 6 % ... 90% di remissione (riferito al bianco standard DIN 5033) 2) Con rapporto chiaro / scuro 1:1 3) Durata segnale con carico ohmico 4) Valori limite; funzionamento in rete protetta da cortocircuito max. 8 A; ondulazione residua max. 5 Vss 5) Per UV ≤ 24 V. Ab TU = 45 °C è la resistenza al carico massima ammessa n QA di 300 Ω ... 450 Ω. A meno di TU = -10 °C è necessario un tempo di riscaldamento. | | | | | | |

44 Smontaggio e smaltimento

Il sensore deve essere smaltito in conformità con le leggi nazionali vigenti in materia. Durante il processo di smaltimento, riciclare se possibile i materiali che compongono il sensore (in particolare i metalli nobili).



INDICAZIONE

Smaltimento di batterie, dispositivi elettrici ed elettronici

- In base a direttive internazionali, le batterie, gli accumulatori e i dispositivi elettrici ed elettronici non devono essere smaltiti tra i rifiuti generici.
- Il titolare è tenuto per legge a riconsegnare questi dispositivi alla fine del loro ciclo di vita presso i rispettivi punti di raccolta pubblici.



Questo simbolo presente sul prodotto, nella sua confezione o nel presente documento, indica che un prodotto è soggetto a tali regolamentazioni.

45 Manutenzione

I sensori SICK sono esenti da manutenzione.

A intervalli regolari si consiglia di

- pulire le superfici limite ottiche
- Verificare i collegamenti a vite e gli innesti a spina

Non è consentito effettuare modifiche agli apparecchi.

Contenuti soggetti a modifiche senza preavviso. Le proprietà del prodotto e le schede tecniche indicate non costituiscono una dichiarazione di garanzia.

PowerProx Analog - WTT12L-Axxx

Fotocélula MultiTask

SICK
Sensor Intelligence.



de
en
es
fr
it
ja
pt
ru
zh

Producto descrito

PowerProx Small Analog - WTT12L-Axxx

Fabricante

SICK AG
Erwin-Sick-Str. 1
79183 Waldkirch
Alemania

Información legal

Este documento está protegido por la legislación sobre la propiedad intelectual. Los derechos derivados de ello son propiedad de SICK AG. Únicamente se permite la reproducción total o parcial de este documento dentro de los límites establecidos por las disposiciones legales sobre propiedad intelectual. Está prohibida la modificación, abreviación o traducción del documento sin la autorización expresa y por escrito de SICK AG.

Las marcas mencionadas en este documento pertenecen a sus respectivos propietarios.

© SICK AG. Reservados todos los derechos.

Documento original




Este es un documento original de SICK AG.




Índice

| | | |
|-----------|--|-----------|
| 46 | Indicaciones generales de seguridad..... | 64 |
| 47 | Indicaciones sobre la homologación UL..... | 64 |
| 48 | Descripción del producto..... | 64 |
| | 48.1 Uso conforme a lo previsto..... | 64 |
| | 48.2 Dibujo acotado..... | 65 |
| 49 | Puesta en marcha..... | 66 |
| | 49.1 Comprobar las condiciones de aplicación:..... | 66 |
| | 49.2 Montaje..... | 67 |
| | 49.3 Electrónica..... | 67 |
| | 49.4 Alineación..... | 68 |
| 50 | Configuración..... | 68 |
| | 50.1 Ajuste..... | 68 |
| 51 | Solución de fallos..... | 70 |
| | 51.1 Resolución de problemas..... | 70 |
| | 51.2 Tabla de diagnóstico de fallos..... | 70 |
| 52 | Datos técnicos..... | 71 |
| 53 | Desmontaje y eliminación..... | 72 |
| 54 | Mantenimiento..... | 72 |

46 Indicaciones generales de seguridad

- Lea las instrucciones de uso antes de realizar la puesta en servicio.
-  Únicamente personal especializado y debidamente cualificado debe llevar a cabo las tareas de conexión, montaje y configuración.
-  No se trata de un componente de seguridad según las definiciones de la directiva de máquinas de la UE.
-  Al realizar la puesta en servicio, el dispositivo se debe proteger ante la humedad y la contaminación.
- Las presentes instrucciones de uso contienen la información necesaria para toda la vida útil del sensor.

| | |
|--|------------|
| LASER CLASS 1 | |
|  | Laser 1 |
| EN/IEC 60825-1:2014 IEC60825-1:2007 | |
| Maximum pulse power < 20 mW Puls length: 5.3 µs Wavelength: 940 nm | |
| Complies with 21 CFR 1040.10 and 1040.11 except for deviations pursuant to Laser Notice No. 50, dated June 24, 2007 | |



ATENCIÓN

ADVERTENCIA: La intervención, la manipulación y el uso incorrecto pueden causar una situación de riesgo de exposición a radiación láser.

47 Indicaciones sobre la homologación UL

The device must be supplied by a Class 2 source of supply.

UL Environmental Rating: Enclosure type 1

48 Descripción del producto

48.1 Uso conforme a lo previsto

La WTT12L-Axxx es una fotocélula optoelectrónica de detección sobreobjeto con salida analógica de valores de distancia (en lo sucesivo llamada sensor) empleada para la detección óptica y sin contacto de objetos. Cualquier uso diferente al previsto o modificación en el producto invalidará la garantía por parte de SICK AG.

48.2 Dibujo acotado

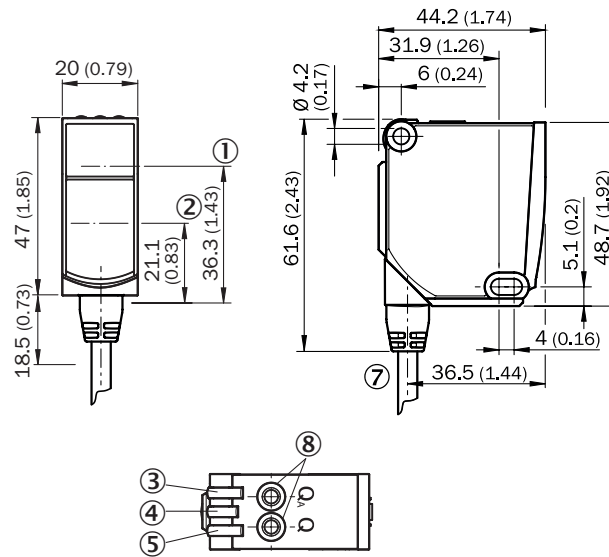


Figura 26: WTT12L-A1xxx / -A3xxx

- ① Centro del eje óptico del emisor
- ② Centro del eje óptico del receptor
- ③ LED indicador amarillo: estado de salida analógica
- ④ LED indicador verde: tensión de alimentación activa
- ⑤ LED indicador amarillo: salida conmutada
- ⑥ Orificio de fijación D4.2 mm
- ⑦ Salida del cable
- ⑧ Tecla teach sencilla

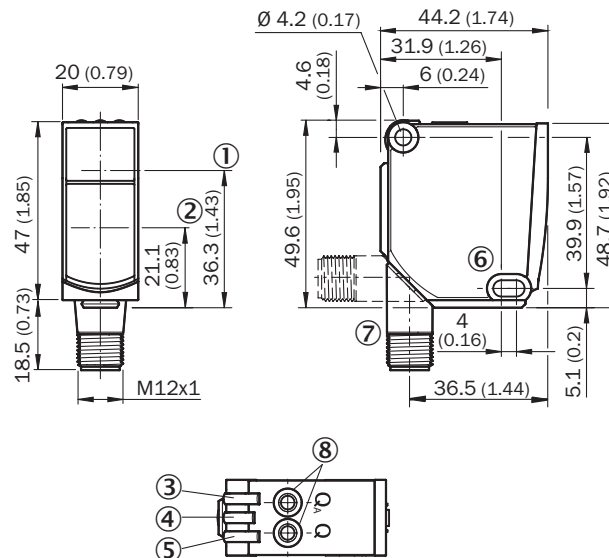


Figura 27: WTT12L-A2xxx

- ① Centro del eje óptico del emisor
- ② Centro del eje óptico del receptor
- ③ LED indicador amarillo: estado de salida analógica
- ④ LED indicador verde: tensión de alimentación activa
- ⑤ LED indicador amarillo: salida conmutada

- ⑥ Orificio de fijación D4.2 mm
- ⑦ Conector macho M12, 5 polos
- ⑧ Tecla teach sencilla

49 Puesta en marcha

49.1 Comprobar las condiciones de aplicación:

Salida analógica:

Puede consultar las indicaciones de precisión de la salida analógica en la tabla [Datos técnicos](#) y en el diagrama H3, H4.

Salida conmutada:

comparar la distancia de conmutación y la distancia respecto al objeto o al fondo, así como la capacidad de reflectancia del objeto, con el diagrama correspondiente [véase figura H1, H2]. (x = distancia de conmutación, y = distancia mínima entre el objeto y el fondo en mm [reflectancia del objeto / reflectancia del fondo]). Reflectancia: 6% = negro, 90% = blanco (referido al blanco estándar según DIN 5033).

La distancia mínima (= y) para suprimir el fondo puede extraerse del diagrama [véase figura H1①] del modo siguiente:

Ejemplo: x = 1.000 mm, y = 25 mm. Es decir, el fondo se suprimirá a partir de una distancia de > 25 mm del objeto.

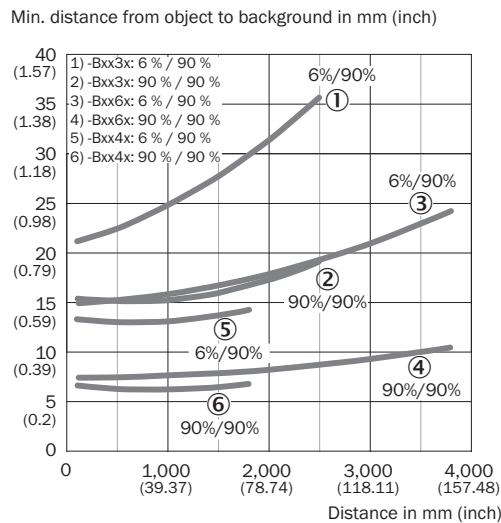


Figura: H-1

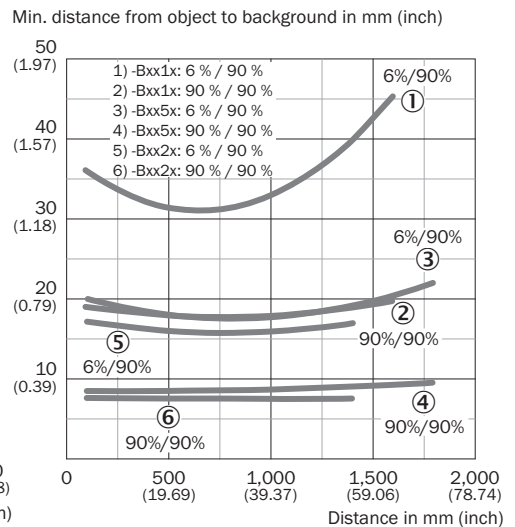


Figura: H-2

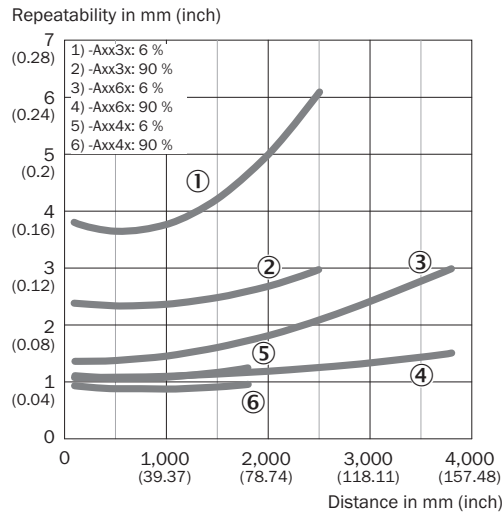


Figura: H-3

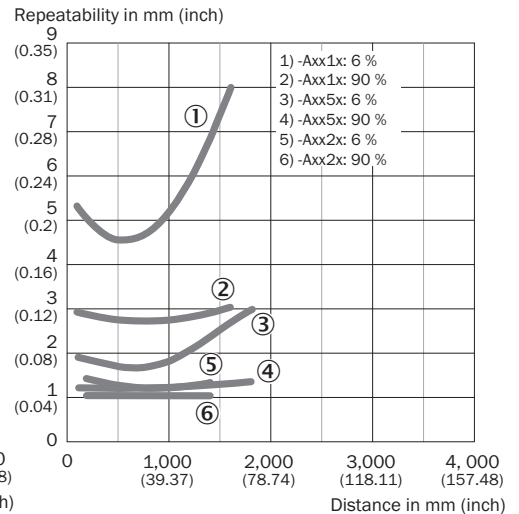


Figura: H-4

49.2 Montaje

Montar el sensor en una escuadra de fijación adecuada (véase el programa de accesorios SICK).

Respetar el par de apriete máximo admisible del sensor de 0,8 Nm.

Respetar la orientación preferente del objeto con respecto al sensor. [véase fig. C].

49.3 Electrónica

Los sensores deben conectarse sin tensión ($V_s = 0\text{ V}$). Debe tenerse en cuenta la información de las figuras [B] en función de cada tipo de conexión:

- Conexión de enchufes: asignación de terminales
- Cable: color del hilo

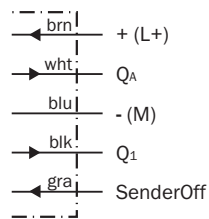


Figura: B: -A15X3

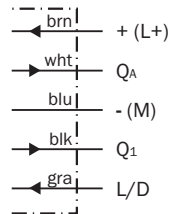


Figura: B: -A15X7

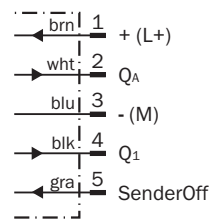


Figura: B-2: -A25X3/ -A35X3

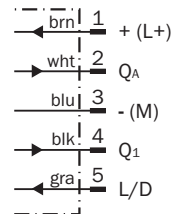


Figura: B: -A25X7 / -A35X7

No aplicar o conectar la fuente de alimentación ($V_s > 0\text{ V}$) hasta que no se hayan finalizado todas las conexiones eléctricas. En el sensor se ilumina el LED indicador verde.

Explicaciones relativas al esquema de conexión (figura B):

SenderOff = desconexión del LED emisor, HIGH active

L/D = conmutador en claro / en oscuro

49.4 Alineación

Oriente el sensor hacia el objeto. Seleccione una posición que permita que el haz de luz roja del transmisor incida en el centro del objeto. Hay que procurar que la apertura óptica (pantalla frontal) del sensor esté completamente libre [véase figura D]. Recomendamos realizar los ajustes con un objeto de remisión baja.

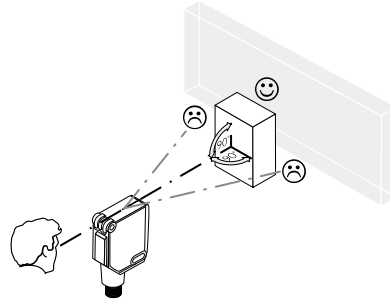


Figura: D

50 Configuración

50.1 Ajuste

Realizar la parametrización:

a) Ajuste de la salida analógica

La salida analógica viene con los siguientes ajustes de fábrica:

4 mA = 100 mm

20 mA = alcance máximo (según el tipo)

La configuración puede adaptarse a la aplicación mediante la tecla teach-in Q_A (véanse las figuras E y G). La tecla teach-in no debe accionarse con objetos puntiagudos. La secuencia de aprendizaje y la distancia al objeto definen la curva característica de la salida analógica. Colocar un objeto en la trayectoria del haz. Mantener pulsada la tecla teach-in $Q_A > 1$ s; cuando el LED amarillo izquierdo empiece a parpadear, soltar la tecla. El LED sigue parpadeando. La distancia actual al objeto se asigna al valor 4 mA (0,05 V). A continuación, desplazar el objeto. Volver a pulsar la tecla teach-in $Q_A > 1$ s hasta que el LED amarillo izquierdo deje de parpadear. La distancia medida ahora al objeto se asigna al valor 20 mA (10 V). Dependiendo de si el objeto se mueve de cerca a lejos o a la inversa, se obtiene un flanco ascendente o descendente.

La salida analógica puede conmutarse entre salida de corriente o detención (véase la figura J). Para ello, mantener pulsada la tecla teach-in $Q_A > 10$ s hasta que el LED amarillo izquierdo y el LED verde empiecen a parpadear de forma alternada. A continuación, soltar la tecla. El LED verde sigue parpadeando. Dependiendo de si el sensor se encuentra en modo de corriente o de tensión, el LED amarillo izquierdo se ilumina. Para cambiar entre los modos, pulsar brevemente la tecla teach-in Q_A . Si no se pulsa ninguna tecla en > 10 s, el sensor guarda el modo actual y sale del menú de configuración.

b) Configuración de la salida conmutada

Pulsando la tecla teach-in $Q > 1$ s se ajusta la distancia de conmutación (véase la figura F). La tecla teach-in no debe accionarse con objetos puntiagudos. Recomendamos poner la distancia de conmutación en el objeto. Una vez ajustada la distancia de conmutación, retirar el objeto de la trayectoria del haz; el fondo se suprime y la salida conmutada se cambia (véase la figura C).

c) Configuración a través de SOPAS y transferencia de los ajustes con la unidad de memoria SICK

Como alternativa, el sensor puede configurarse a través del software SOPAS exclusivo de SICK. También se puede usar como accesorio la unidad de memoria SICK (IOLP2ZZ-M3201, referencia 1064290) para transferir los ajustes de un sensor a otro. En caso de duda, póngase en contacto con el representante de ventas pertinente.

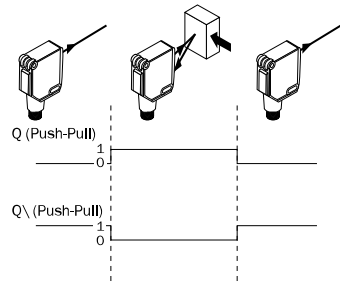


Figura: C

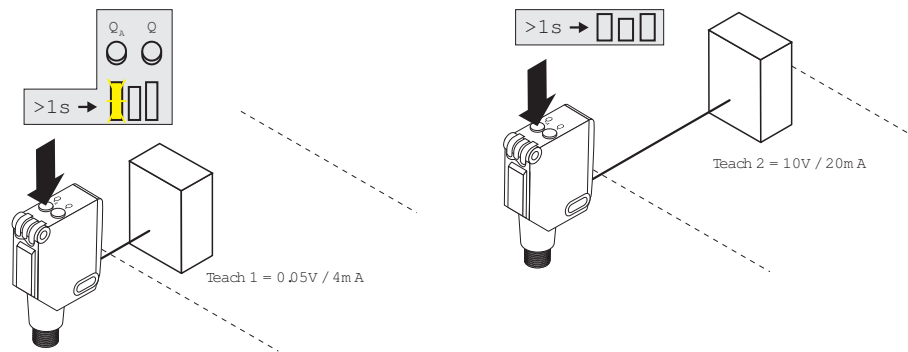


Figura: E

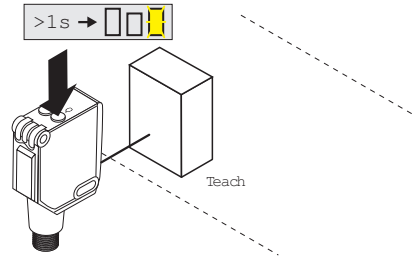


Figura 28: F

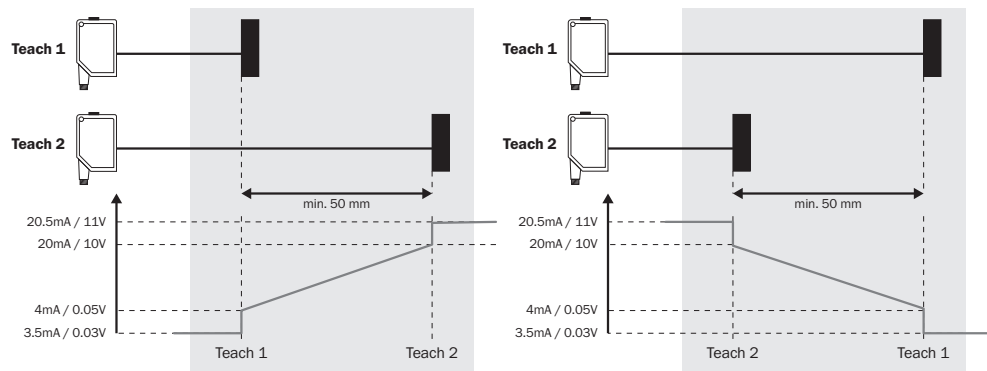


Figura 29: G

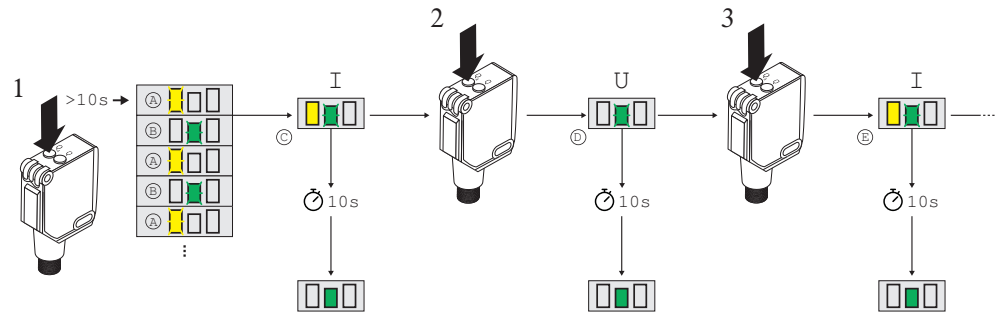


Figura 30: J

51 Solución de fallos

51.1 Resolución de problemas

La tabla “Resolución de problemas” muestra las medidas que hay que tomar cuando ya no está indicado el funcionamiento del sensor.

51.2 Tabla de diagnóstico de fallos

| LED indicador / imagen de error | Causa | Acción |
|---|--|---|
| El LED verde no se ilumina | Sin tensión o tensión por debajo de los valores límite | Comprobar la fuente de alimentación, comprobar toda la conexión eléctrica (cables y conectores) |
| El LED verde no se ilumina | Interrupciones de tensión | Asegurar una fuente de alimentación estable sin interrupciones de tensión |
| El LED verde no se ilumina | El sensor está defectuoso | Si la fuente de alimentación no tiene problemas, cambiar el sensor |
| El LED verde se ilumina, no hay señal de salida cuando se detecta un objeto | SenderOff no está correctamente conectada | Ver indicaciones para conectar la entrada de SenderOff |
| Los LED amarillos parpadean simultáneamente | El sensor no está listo para su uso. Si la temperatura ambiente es baja, el sensor se encuentra en la fase de calentamiento. Si la temperatura ambiente es alta, el sensor se ha desconectado. | Si la temperatura ambiente es baja, esperar hasta que el sensor se haya calentado. Si la temperatura ambiente es demasiado alta, refrigerar |
| El LED amarillo parpadea (solo brevemente) | Modo de aprendizaje (Teach) | Comprobar el modo de aprendizaje |
| rechte gelbe LED leuchtet, kein Objekt im Strahlengang | La distancia entre el sensor y el fondo es insuficiente | Reducir la distancia de conmutación |
| El objeto se encuentra en la trayectoria del haz, el LED amarillo no se ilumina | La distancia entre el sensor y el objeto es excesiva o la distancia de conmutación ajustada es insuficiente | Aumentar la distancia de conmutación |

52 Datos técnicos

| | -Axx1x | -Axx2x | -Axx3x | -Axx4x | -Axx5x | -Axx6x |
|---|--|--|--|--|--|--|
| Clase de láser | 1 | 1 | 1 | 1 | 1 | 1 |
| Diámetro del punto luminoso/ distancia | < 11.0 mm / 1600 mm | < 10.0 mm / 1400 mm | < 14.0 mm / 2500 mm | <12.0 / 1800 mm | <12.0 / 1800 mm | <12.0 / 3800 mm |
| Salida conmutada (intensidad de salida I _{max.}) | 1x PUSH/ PULL: PNP/NPN (50 mA) | 1x PUSH/ PULL: PNP/NPN (50 mA) | 1x PUSH/ PULL: PNP/NPN (50 mA) | 1x PUSH/ PULL: PNP/NPN (50 mA) | 1x PUSH/ PULL: PNP/NPN (50 mA) | 1x PUSH/ PULL: PNP/NPN (50 mA) |
| Distancia de conmutación | 100 ... 1600 mm ¹⁾ | 100 ... 1400 mm ¹⁾ | 100 ... 2500 mm ¹⁾ | 100 ... 1800 ¹⁾ | 100 ... 1800 ¹⁾ | 100 ... 3800 ¹⁾ |
| Distancia de conmutación máx. | 50 ... 1600 mm ¹⁾ | 50 ... 1400 mm ¹⁾ | 50 ... 2500 mm ¹⁾ | 50 ... 1800 ¹⁾ | 50 ... 1800 ¹⁾ | 50 ... 3800 ¹⁾ |
| Secuencia de conmutación máx. | 1,000 Hz ²⁾ | 30 Hz ²⁾ | 1,000 Hz ²⁾ | 30 Hz ²⁾ | 100 Hz ²⁾ | 100 Hz ²⁾ |
| Tiempo de respuesta máx. | 0.5 ms ³⁾ | 16.7 ms ³⁾ | 0.5 ms ³⁾ | 16.7 ms ³⁾ | 5 ms ³⁾ | 5 ms ³⁾ |
| Salida analógica | 1x 4 mA ... 20 mA (≤450 Ω)0 V ... 10 V (≥50 k Ω) configurable | 1x 4 mA ... 20 mA (≤450 Ω)0 V ... 10 V (≥50 k Ω) configurable | 1x 4 mA ... 20 mA (≤450 Ω)0 V ... 10 V (≥50 k Ω) configurable | 1x 4 mA ... 20 mA (≤450 Ω)0 V ... 10 V (≥50 k Ω) configurable | 1x 4 mA ... 20 mA (≤450 Ω)0 V ... 10 V (≥50 k Ω) configurable | 1x 4 mA ... 20 mA (≤450 Ω)0 V ... 10 V (≥50 k Ω) configurable |
| Campo de medición | 100 ... 1600 mm | 100 ... 1400 mm | 100 ... 2500 mm | 100 ... 1800 mm | 100 ... 1800 mm | 100 ... 3800 mm |
| Resolución | 1 mm / 12 Bit | 1 mm / 12 Bit | 1 mm / 12 Bit | 1 mm / 12 Bit | 1 mm / 12 Bit | 1 mm / 12 Bit |
| Reproducibilidad | 2.7 ... 8.0 mm | 1.1 ... 1.5 mm | 2.3 ... 6.1 mm | 0.9 ... 1.3 mm | 1.2 ... 3.0 mm | 1.1 ... 3.0 mm |
| Exactitud | typ. ±20 mm (50 ... 1000 mm) typ. ±15 mm (1000 ... 1600 mm) | typ. ±20 mm (50 ... 1000 mm) typ. ±15 mm (1000 ... 1400 mm) | typ. ±15 mm | typ. ±15 mm | typ. ±20 mm (50 ... 1000 mm) typ. ±15 mm (1000 ... 1800 mm) | typ. ±15 mm |
| Velocidad de salida | 3 ms | 16.7 ms | 3 ms | 16.7 ms | 5 ms | 5 ms |
| Entrada | inactive (U Low): <5 V / active (U High): 12 V ... V _S | inactive (U Low): <5 V / active (U High): 12 V ... V _S | inactive (U Low): <5 V / active (U High): 12 V ... V _S | inactive (U Low): <5 V / active (U High): 12 V ... V _S | inactive (U Low): <5 V / active (U High): 12 V ... V _S | inactive (U Low): <5 V / active (U High): 12 V ... V _S |
| Tipo de protección | IP 67 | IP 67 | IP 67 | IP 67 | IP 67 | IP 67 |
| Tensión de alimentación U _v | DC 12 ... 30 V (for use of analog vol- tage output VS = 13 ... 30 V DC) ⁴⁾ | DC 12 ... 30 V (for use of analog vol- tage output VS = 13 ... 30 V DC) ⁴⁾ | DC 12 ... 30 V (for use of analog vol- tage output VS = 13 ... 30 V DC) ⁴⁾ | DC 12 ... 30 V (for use of analog vol- tage output VS = 13 ... 30 V DC) ⁴⁾ | DC 12 ... 30 V (for use of analog vol- tage output VS = 13 ... 30 V DC) ⁴⁾ | DC 12 ... 30 V (for use of analog vol- tage output VS = 13 ... 30 V DC) ⁴⁾ |
| Clase de protección | III | III | III | III | III | III |
| Circuitos de protección | A, B, C ⁵⁾ | A, B, C ⁵⁾ | A, B, C ⁵⁾ | A, B, C ⁵⁾ | A, B, C ⁵⁾ | A, B, C ⁵⁾ |
| Temperatura ambiente de servi- cio | -35 ... +50 °C ⁶⁾ | -35 ... +50 °C ⁶⁾ | -35 ... +50 °C ⁶⁾ | -35 ... +50 °C ⁶⁾ | -35 ... +50 °C ⁶⁾ | -35 ... +50 °C ⁶⁾ |
| Tiempo de calentamiento | <15 min | <15 min | <15 min | <15 min | <15 min | <15 min |

| | -Axx1x | -Axx2x | -Axx3x | -Axx4x | -Axx5x | -Axx6x |
|---|--------|--------|--------|--------|--------|--------|
| 1) Material con un 6 % ... 90% de reflexión (sobre el blanco estándar según DIN 5033) 2) Con una relación claro/oscuras de 1:1 3) Duración de la señal con carga óhmica 4) Valores límite; funcionamiento en red protegida contra cortocircuitos máx. 8 A; ondulación residual máx. 5 Vss 5) A = UV protegidas contra polarización inversa B = Entradas y salidas protegidas contra polarización incorrecta C = Supresión de impulsos parásitos 6) Para $V_S \leq 24$ V. A partir de $T_V = 45$ °C se admite una resistencia de carga máxima en QA de 300 Ω ... 450 Ω . Por debajo de $T_V = -10$ °C, es necesario un tiempo de calentamiento. | | | | | | |

53 Desmontaje y eliminación

El sensor debe eliminarse de conformidad con las reglamentaciones nacionales aplicables. Como parte del proceso de eliminación, se debe intentar reciclar los materiales al máximo posible (especialmente los metales preciosos).



INDICACIÓN

Eliminación de las baterías y los dispositivos eléctricos y electrónicos

- De acuerdo con las directivas internacionales, las pilas, las baterías y los dispositivos eléctricos y electrónicos no se deben eliminar junto con la basura doméstica.
- La legislación obliga a que estos dispositivos se entreguen en los puntos de recogida públicos al final de su vida útil.



La presencia de este símbolo en el producto, el material de embalaje o este documento indica que el producto está sujeto a esta reglamentación.

54 Mantenimiento

Los sensores SICK no precisan mantenimiento.

A intervalos regulares, recomendamos:

- Limpiar las superficies ópticas externas
- Comprobar las uniones roscadas y las conexiones.

No se permite realizar modificaciones en los aparatos.

Sujeto a cambio sin previo aviso. Las propiedades y los datos técnicos del producto no suponen ninguna declaración de garantía.

PowerProx Analog - WTT12L-Axxx

多任务光电传感器

SICK
Sensor Intelligence.



de
en
es
fr
it
ja
pt
ru
zh

所说明的产品

PowerProx Small Analog - WTT12L-Axxx

制造商

SICK AG
Erwin-Sick-Str. 1
79183 Waldkirch, Germany
德国

法律信息

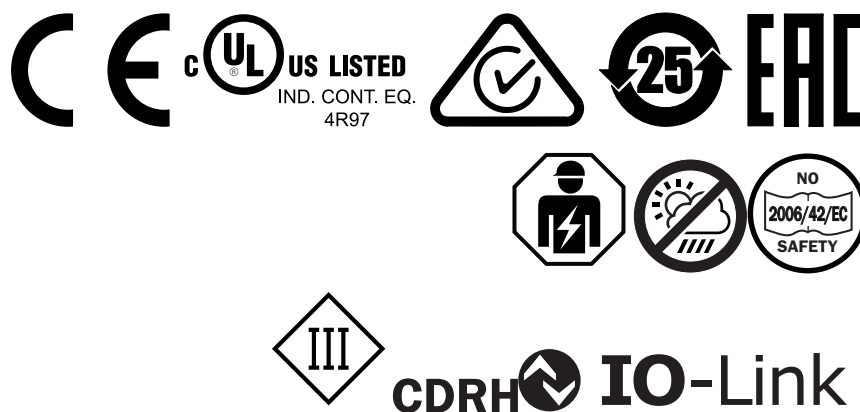
本文档受版权保护。其中涉及到的一切权利归西克公司所有。只允许在版权法的范围内复制本文档的全部或部分內容。未经西克公司的明确书面许可，不允许对文档进行修改、删减或翻译。

本文档所提及的商标为其各自所有者的资产。

© 西克公司版权所有。版权所有

原始文档




本文档为西克股份公司的原始文档。




内容

| | | |
|----|--------------------|----|
| 55 | 一般安全提示..... | 76 |
| 56 | 关于 UL 认证的提示..... | 76 |
| 57 | 产品说明..... | 76 |
| | 57.1 设计用途..... | 76 |
| | 57.2 尺寸图..... | 77 |
| 58 | 调试..... | 78 |
| | 58.1 检查使用条件: | 78 |
| | 58.2 安装..... | 79 |
| | 58.3 电子..... | 79 |
| | 58.4 校准..... | 79 |
| 59 | 系统配置..... | 80 |
| | 59.1 设置..... | 80 |
| 60 | 故障排除..... | 81 |
| | 60.1 故障排除..... | 81 |
| | 60.2 错误诊断表格..... | 81 |
| 61 | 技术数据..... | 82 |
| 62 | 拆卸和废弃处置..... | 83 |
| 63 | 保养..... | 83 |

55 一般安全提示

- 调试之前阅读本操作指南。
-  只有经过培训的专业人员才能执行连接、安装和配置工作。
-  非符合欧盟机械指令的安全组件。
-  调试时防止设备受到潮湿和污染影响。
- 这些操作指南包含传感器寿命周期内所必需的信息。

| | |
|--|------------|
| LASER CLASS 1 | |
|  | Laser 1 |
| EN/IEC 60825-1:2014 IEC60825-1:2007 | |
| Maximum pulse power < 20 mW Puls length: 5.3 µs Wavelength: 940 nm | |
| Complies with 21 CFR 1040.10 and 1040.11 except for deviations pursuant to Laser Notice No. 50, dated June 24, 2007 | |



注意

警告：中断、操纵或不正确使用可能会因激光辐射而导致危险的曝露。

56 关于 UL 认证的提示

The device must be supplied by a Class 2 source of supply.

UL Environmental Rating: Enclosure type 1

57 产品说明

57.1 设计用途

WTT12L-Axxxx 是一种带模拟距离值输出的漫反射式光电传感器（下文简称为“传感器”），用于物体的非接触式光学检测。如滥用本产品或擅自对其改装，则 SICK 公司的所有质保承诺均将失效。

57.2 尺寸图

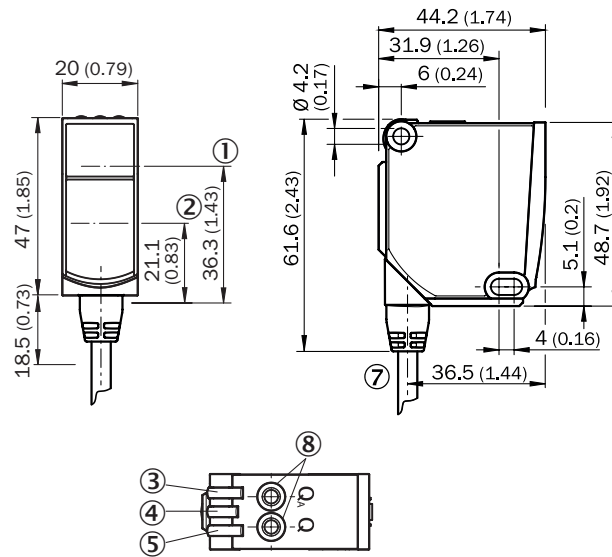


插图 31: WTT12L-A1xxx / -A3xxx

- ① 发射器光轴中心
- ② 接收器光轴中心
- ③ 黄色 LED 指示灯: 模拟输出的状态
- ④ 绿色 LED 指示灯: 工作电压激活
- ⑤ 黄色 LED 指示灯: 开关量输出
- ⑥ 安装孔 D4.2 mm
- ⑦ 电缆出线
- ⑧ 简单示教键

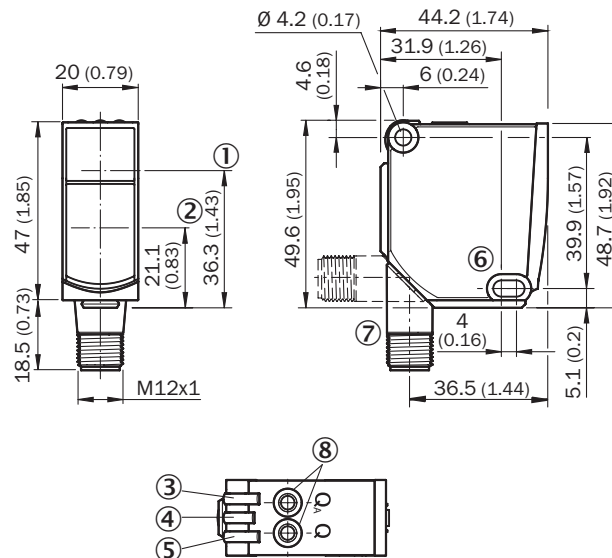


插图 32: WTT12L-A2xxx

- ① 发射器光轴中心
- ② 接收器光轴中心
- ③ 黄色 LED 指示灯: 模拟输出的状态
- ④ 绿色 LED 指示灯: 工作电压激活
- ⑤ 黄色 LED 指示灯: 开关量输出

- ⑥ 安装孔 D4.2 mm
- ⑦ 插头 M12, 5 针
- ⑧ 简单示教键

58 调试

58.1 检查使用条件:

模拟输出端:

模拟输出端的精度说明请参见表格 [技术数据](#) 以及图表 H3, H4。

输出信号切换装置:

使用随附的图表 [参照 H1, H2] 调整开关距离和物体距离, 或背景及物体的反射力 (x = 开关距离, y = 以 mm 为单位的物体和背景之间的最小距离 (物体反射比/背景反射比))。反射比: 6% = 黑色, 90% = 白色 (DIN 5033 规定的标准白)。

根据图表 [参照 H1①] 按如下方法读取背景抑制功能的最小距离 (= y):

示例: x = 1,000 mm, y = 25 mm。即, 当与传感器距离 > 25 mm 时, 才能抑制背景。

Min. distance from object to background in mm (inch)

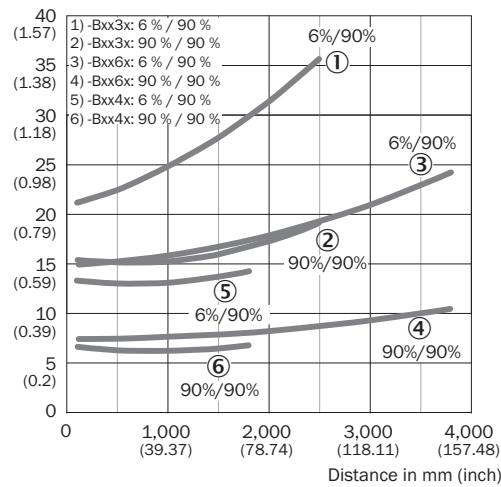


插图: H-1

Repeatability in mm (inch)

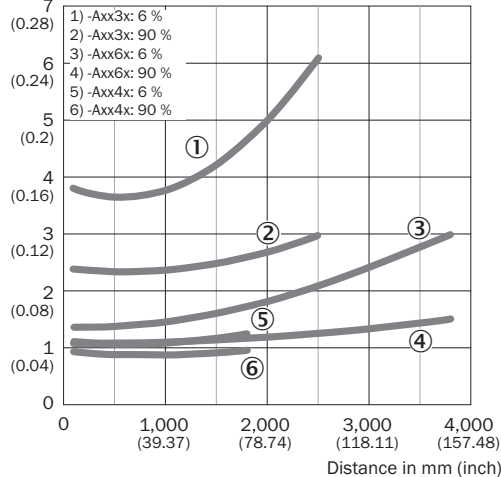


插图: H-3

Min. distance from object to background in mm (inch)

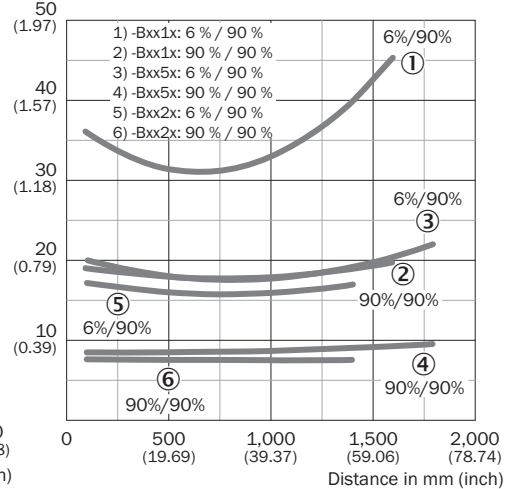


插图: H-2

Repeatability in mm (inch)

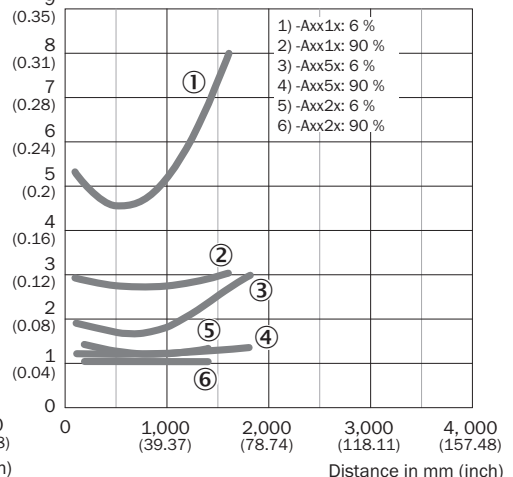


插图: H-4

58.2 安装

将传感器安装在合适的安装托架上（参见 SICK 附件说明书）。

注意传感器的最大允许拧紧扭矩为 0,8 Nm。

以传感器为参照物，注意物体的优先方向 [参照 C]。

58.3 电子

必须在无电压状态 ($U_V = 0 \text{ V}$) 连接传感器。依据不同连接类型，注意图 [参照 B] 中的信息：

- 插头连接：引线分配
- 电缆：芯线颜色

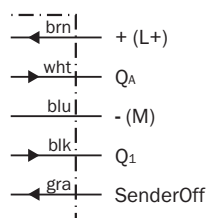


插图: B: -A15X3

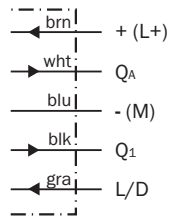


插图: B: -A15X7

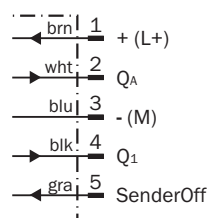


插图: B-2: -A25X3/ -A35X3

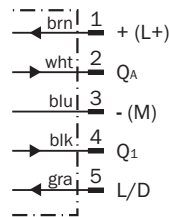


插图: B: -A25X7 / -A35X7

完成所有电子连接后，才敷设或接通电压供给 ($U_V > 0 \text{ V}$)。传感器上的绿色 LED 指示灯亮起。

接线图（图 B）说明：

SenderOff = 发射器 LED 灯关闭，high-active

L/D = 亮通与暗通开关

58.4 校准

将传感器对准物体。选择定位，确保红色发射光束射中物体的中间。此时，应注意传感器的光学开口（前部玻璃）处应无任何遮挡 [参照 D]。我们建议使用反射比较低的物体进行设置。

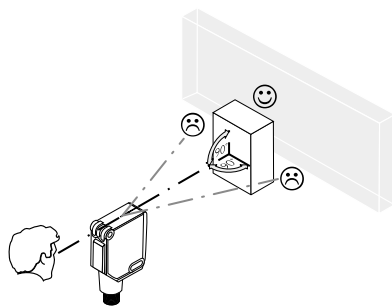


插图: D

59 系统配置

59.1 设置

执行参数设置:

a) 模拟输出设置模拟输出的出厂设置如下:

4 mA = 100 mm

20 mA = 最大触发感应距离 (视型号而定)

根据应用可使用示教键 Q_A 调整设置 (参见图 E 与 G)。不得使用尖锐物操作示教键。示教顺序与物体距离定义模拟输出的特征曲线。物体始终处于光路中。按下示教键 Q_A 超过 1 s, 直到左侧黄色 LED 灯开始闪烁, 然后松开按键。LED 继续闪烁。与物体的当前距离将归类至数值 4 mA (0.05 V)。然后移动物体。重新按下示教键 Q_A 超过 1 s, 直到左侧黄色 LED 灯停止闪烁。当前测得的与物体距离将归类至数值 20 mA (10 V)。得出上升沿或下降沿, 取决于从近至远还是从远至近推动物体。模拟输出可在电流输出端和电压输出端之间进行切换 (参见图 J)。为此按下示教键 Q_A 超过 10 s, 直到左侧黄色 LED 灯和绿色 LED 灯交替闪烁。然后松开按键。绿色 LED 继续闪烁。根据传感器处于电流模式还是电压模式, 亮起左侧黄色 LED 灯。短按示教键 Q_A 在两种模式之间进行切换。若 10 s 后未按下按钮, 则传感器将保存当前模式并离开设置菜单。

b) 开关量输出设置

通过按下示教键 Q 超过 1s 可设置触发感应距离 (参见图 F)。不得使用尖锐物操作示教键。我们建议使触发感应距离涵盖物体。触发感应距离设置完成后, 将物体从光路中移除, 同时将抑制背景并改变开关量输出 (参见图 C)。

c) 通过 SOPAS 进行设置并通过 SICK Memory Stick 传输设置此外, 还可通过 SICK 自主软件 SOPAS 设置传感器。亦可使用配件 SICK Memory Stick (IOLP2ZZ-M3201, 订货号 1064290), 将传感器设置传输至另一台传感器。如您对此持有疑问, 请联系相关销售员工。

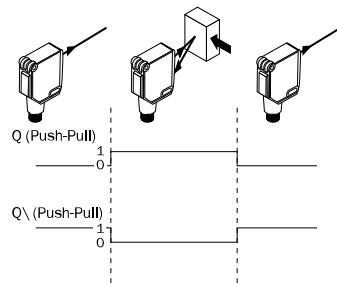


插图: C

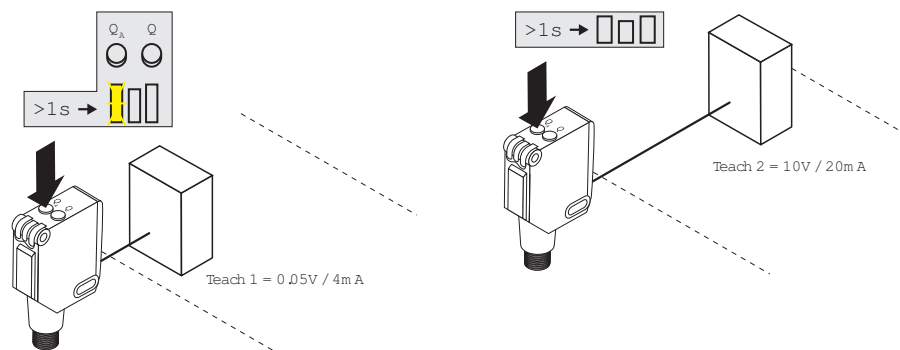


插图: E

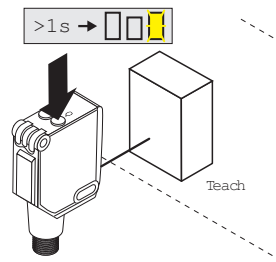


插图 33: F

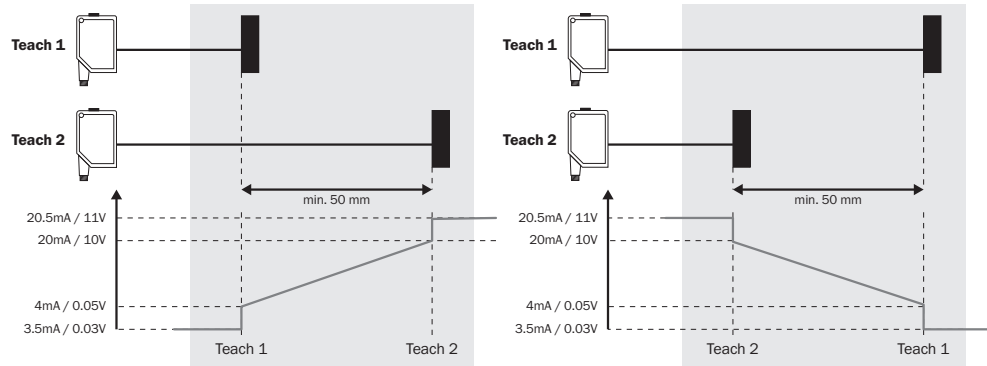


插图 34: G

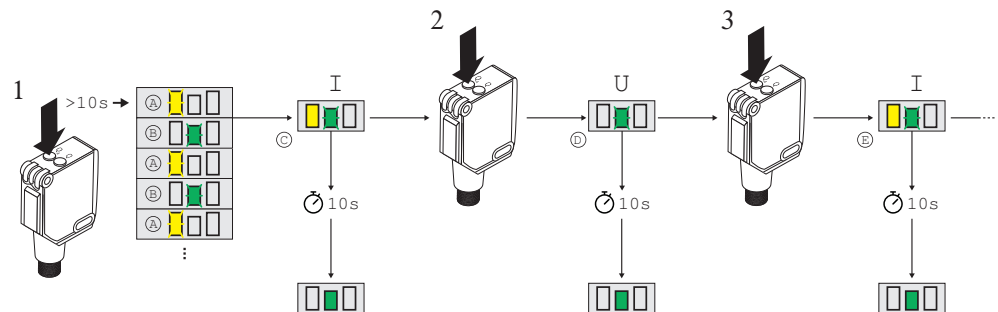


插图 35: J

60 故障排除

60.1 故障排除

故障排除表格中罗列了传感器无法执行某项功能时应采取的各项措施。

60.2 错误诊断表格

| LED 指示灯 / 故障界面 | 原因 | 措施 |
|----------------------|---|-------------------------------|
| 绿色 LED 未亮起 | 无电压或电压低于极限值 | 检查电源，检查整体电气连接（导线和插头连接） |
| 绿色 LED 未亮起 | 电压中断 | 确保电源稳定无中断 |
| 绿色 LED 未亮起 | 传感器损坏 | 如果电源正常，则更换传感器 |
| 绿色 LED 亮起，探测物体时无输出信号 | 未正确连接 SenderOff | 参见 SenderOff 的连接提示 |
| 黄色 LED 同步闪烁。 | 传感器未准备就绪。环境温度低时传感器处于预热阶段。环境温度高时传感器自行关闭。 | 环境温度低时请等待，至传感器完成预热。环境温度高时请降温。 |

| LED 指示灯 / 故障界面 | 原因 | 措施 |
|--|-------------------------|---------|
| 黄色 LED 闪烁 (非常短暂) | 示教模式 | 检查示教模式 |
| rechte gelbe LED leuchtet, kein Objekt im Strahlengang | 传感器和背景之间的间距过小 | 降低开关距离, |
| 光路中有物体, 黄色 LED 未亮起 | 传感器和物体之间的间距过大或开关距离设置的过小 | 增大开关距离, |

61 技术数据

| | -Axx1x | -Axx2x | -Axx3x | -Axx4x | -Axx5x | -Axx6x |
|-------------------------|--|--|--|--|--|--|
| 激光等级 | 1 | 1 | 1 | 1 | 1 | 1 |
| 光斑直径/距离 | < 11.0 mm / 1600 mm | < 10.0 mm / 1400 mm | < 14.0 mm / 2500 mm | <12.0 / 1800 mm | <12.0 / 1800 mm | <12.0 / 3800 mm |
| 开关量输出 (输出电流 I_{max}) | 1x PUSH/ PULL: PNP/NPN (50 mA) | 1x PUSH/ PULL: PNP/NPN (50 mA) | 1x PUSH/ PULL: PNP/NPN (50 mA) | 1x PUSH/ PULL: PNP/NPN (50 mA) | 1x PUSH/ PULL: PNP/NPN (50 mA) | 1x PUSH/ PULL: PNP/NPN (50 mA) |
| 开关距离 | 100 ... 1600 mm ¹⁾ | 100 ... 1400 mm ¹⁾ | 100 ... 2500 mm ¹⁾ | 100 ... 1800 ¹⁾ | 100 ... 1800 ¹⁾ | 100 ... 3800 ¹⁾ |
| 最大开关距离 | 50 ... 1600 mm ¹⁾ | 50 ... 1400 mm ¹⁾ | 50 ... 2500 mm ¹⁾ | 50 ... 1800 ¹⁾ | 50 ... 1800 ¹⁾ | 50 ... 3800 ¹⁾ |
| 最大开关操作顺序 | 1,000 Hz ²⁾ | 30 Hz ²⁾ | 1,000 Hz ²⁾ | 30 Hz ²⁾ | 100 Hz ²⁾ | 100 Hz ²⁾ |
| 最长响应时间 | 0.5 ms ³⁾ | 16.7 ms ³⁾ | 0.5 ms ³⁾ | 16.7 ms ³⁾ | 5 ms ³⁾ | 5 ms ³⁾ |
| 模拟输出 | 1x 4 mA ... 20 mA ($\leq 450 \Omega$) 0 V ... 10 V ($\geq 50 \text{ k} \Omega$) configurable | 1x 4 mA ... 20 mA ($\leq 450 \Omega$) 0 V ... 10 V ($\geq 50 \text{ k} \Omega$) configurable | 1x 4 mA ... 20 mA ($\leq 450 \Omega$) 0 V ... 10 V ($\geq 50 \text{ k} \Omega$) configurable | 1x 4 mA ... 20 mA ($\leq 450 \Omega$) 0 V ... 10 V ($\geq 50 \text{ k} \Omega$) configurable | 1x 4 mA ... 20 mA ($\leq 450 \Omega$) 0 V ... 10 V ($\geq 50 \text{ k} \Omega$) configurable | 1x 4 mA ... 20 mA ($\leq 450 \Omega$) 0 V ... 10 V ($\geq 50 \text{ k} \Omega$) configurable |
| 测量范围 | 100 ... 1600 mm | 100 ... 1400 mm | 100 ... 2500 mm | 100 ... 1800 mm | 100 ... 1800 mm | 100 ... 3800 mm |
| 分辨率 | 1 mm / 12 Bit | 1 mm / 12 Bit | 1 mm / 12 Bit | 1 mm / 12 Bit | 1 mm / 12 Bit | 1 mm / 12 Bit |
| 再现性 1 | 2.7 ... 8.0 mm | 1.1 ... 1.5 mm | 2.3 ... 6.1 mm | 0.9 ... 1.3 mm | 1.2 ... 3.0 mm | 1.1 ... 3.0 mm |
| 精度 | typ. ± 20 mm (50 ... 1000 mm) typ. ± 15 mm (1000 ... 1600 mm) | typ. ± 20 mm (50 ... 1000 mm) typ. ± 15 mm (1000 ... 1400 mm) | typ. ± 15 mm | typ. ± 15 mm | typ. ± 20 mm (50 ... 1000 mm) typ. ± 15 mm (1000 ... 1800 mm) | typ. ± 15 mm |
| 输出率 | 3 ms | 16.7 ms | 3 ms | 16.7 ms | 5 ms | 5 ms |
| 输入 | inactive (U Low): <5 V / active (U High): 12 V ... V_S | inactive (U Low): <5 V / active (U High): 12 V ... V_S | inactive (U Low): <5 V / active (U High): 12 V ... V_S | inactive (U Low): <5 V / active (U High): 12 V ... V_S | inactive (U Low): <5 V / active (U High): 12 V ... V_S | inactive (U Low): <5 V / active (U High): 12 V ... V_S |
| 防护类型 | IP 67 | IP 67 | IP 67 | IP 67 | IP 67 | IP 67 |
| 供电电压 U_V | DC 12 ... 30 V (for use of analog | DC 12 ... 30 V (for use of analog | DC 12 ... 30 V (for use of analog | DC 12 ... 30 V (for use of analog | DC 12 ... 30 V (for use of analog | DC 12 ... 30 V (for use of analog |

| | -Axx1x | -Axx2x | -Axx3x | -Axx4x | -Axx5x | -Axx6x |
|--|---|---|---|---|---|---|
| | voltage output VS = 13 ... 30 V DC) ⁴⁾ | voltage output VS = 13 ... 30 V DC) ⁴⁾ | voltage output VS = 13 ... 30 V DC) ⁴⁾ | voltage output VS = 13 ... 30 V DC) ⁴⁾ | voltage output VS = 13 ... 30 V DC) ⁴⁾ | voltage output VS = 13 ... 30 V DC) ⁴⁾ |
| 防护等级 | III | III | III | III | III | III |
| 保护电路 | A, B, C ⁵⁾ | A, B, C ⁵⁾ | A, B, C ⁵⁾ | A, B, C ⁵⁾ | A, B, C ⁵⁾ | A, B, C ⁵⁾ |
| 工作环境温度 | -35 ... +50 °C ⁶⁾ | -35 ... +50 °C ⁶⁾ | -35 ... +50 °C ⁶⁾ | -35 ... +50 °C ⁶⁾ | -35 ... +50 °C ⁶⁾ | -35 ... +50 °C ⁶⁾ |
| 暖机时间 | <15 min | <15 min | <15 min | <15 min | <15 min | <15 min |
| 1) 具有 6 % ... 90 % 反射比的扫描对象 (指 DIN 5033 规定的标准白) 2) 明暗比为 1:1 3) 信号传输时间 (电阻负载时) 4) 极限值: 在防短路电网中运行, 最大 8 A; 最大余波 5 V _{ss} 5) 针对 UV≤24 V。当温度为 TU = 45 °C 及以上时, QA 上的最大允许负载电阻为 300 Ω ~ 450 Ω。温度低于 TU = -10 °C 时需要预热时间。 | | | | | | |

62 拆卸和废弃处置

必须根据适用的国家/地区特定法规处理传感器。在废弃处置过程中应努力回收构成材料 (特别是贵金属)。



提示

电池、电气和电子设备的废弃处置

- 根据国际指令, 电池、蓄电池和电气或电子设备不得作为一般废物处理。
- 根据法律, 所有者有义务在使用寿命结束时将这些设备返还给相应的公共收集点。



产品、其包装或本文档中的此符号表示产品受这些法规约束。

63 保养

SICK 传感器无需保养。

我们建议, 定期:

- 清洁镜头检测面
- 检查螺栓连接和插头连接

不得对设备进行任何改装。

如有更改, 不另行通知。所给出的产品特性和技术参数并非质保声明。

PowerProx Analog - WTT12L-Axxx

MultiTask 光電センサ

SICK
Sensor Intelligence.



de
en
es
fr
it
ja
pt
ru
zh

説明されている製品

PowerProx Small Analog - WTT12L-Axxx

メーカー

SICK AG
Erwin-Sick-Str.1
79183 Waldkirch
Germany

法律情報

本書は著作権によって保護されています。著作権に由来するいかなる権利も SICK AG が保有しています。本書および本書の一部の複製は、著作権法の法的規定の範囲内でのみ許可されます。本書の内容を変更、削除または翻訳することは、SICK AG の書面による明確な同意がない限り禁じられています。

本書に記載されている商標は、それぞれの所有者の所有です。

© SICK AG. 無断複写・複製・転載を禁ず。

オリジナルドキュメント




このドキュメントは SICK AG のオリジナルドキュメントです。




コンテンツ

| | | |
|----|-----------------------|----|
| 64 | 一般的な安全上の注意事項..... | 87 |
| 65 | UL 認証に関する注意事項..... | 87 |
| 66 | 製品概要..... | 87 |
| | 66.1 正しいご使用方法..... | 87 |
| | 66.2 寸法図面..... | 88 |
| 67 | コミッショニング..... | 89 |
| | 67.1 使用条件の確認..... | 89 |
| | 67.2 取付け..... | 90 |
| | 67.3 電子機器..... | 90 |
| | 67.4 方向調整..... | 91 |
| 68 | 設定..... | 91 |
| | 68.1 設定..... | 91 |
| 69 | トラブルシューティング..... | 93 |
| | 69.1 トラブルシューティング..... | 93 |
| | 69.2 故障診断表..... | 93 |
| 70 | 技術仕様（抜粋）..... | 93 |
| 71 | 分解および廃棄..... | 95 |
| 72 | メンテナンス..... | 95 |

64 一般的な安全上の注意事項

- コミッショニング前に取扱説明書をよくお読みください。
-  本製品の接続・取付・コンフィグレーションは、訓練を受けた技術者が行ってください。
-  本製品は、EU の機械指令を満たす人体保護用の安全コンポーネントではありません。
-  コミッショニング前に、湿気や汚れから機器を保護してください。
- 本取扱説明書には、センサのライフサイクル中に必要となる情報が記載されています。

| | |
|--|------------|
| LASER CLASS 1 | |
|  | Laser 1 |
| EN/IEC 60825-1:2014 IEC60825-1:2007 | |
| Maximum pulse power < 20 mW Puls length: 5.3 μs Wavelength: 940 nm | |
| Complies with 21 CFR 1040.10 and 1040.11 except for deviations pursuant to Laser Notice No. 50, dated June 24, 2007 | |



要注意

警告：投光光軸の妨害・人為的操作・不適切な使用は、レーザ照射による危険な被ばくにつながる恐れがあります。

65 UL 認証に関する注意事項

The device must be supplied by a Class 2 source of supply.

UL Environmental Rating: Enclosure type 1

66 製品概要

66.1 正しいご使用方法

WTT12L-Axxxx とは、アナログ距離値出力機能付きリフレクタ形光電スイッチ（以下センサと呼ぶ）で、物体を光学技術により非接触で検知するための装置です。製品を用途以外の目的で使用したり改造したりした場合は、SICK AG に対する一切の保証請求権が無効になります。

66.2 寸法図面

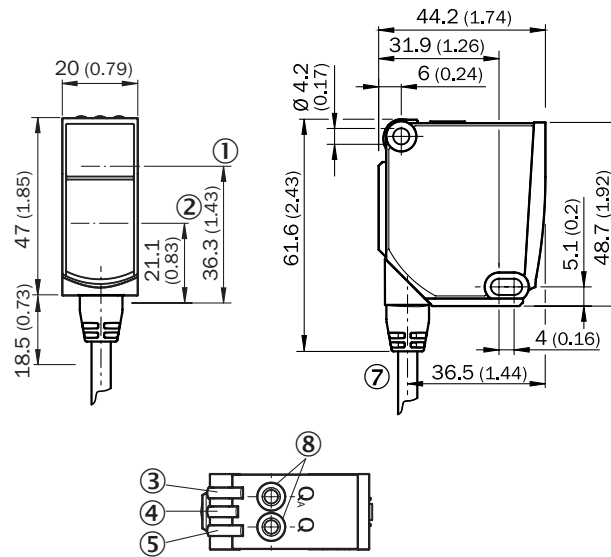


図 36: WTT12L-A1xxx / -A3xxx

- ① 投光器光軸の中心
- ② 受光器光軸の中心
- ③ 黄色の LED 表示: アナログ出力の状態
- ④ 緑色 LED 表示: 供給電圧アクティブ
- ⑤ LED 表示 黄色: スイッチング出力
- ⑥ 取付穴 D4,2 mm
- ⑦ ケーブルテレビ放送局
- ⑧ シングルタッチボタン

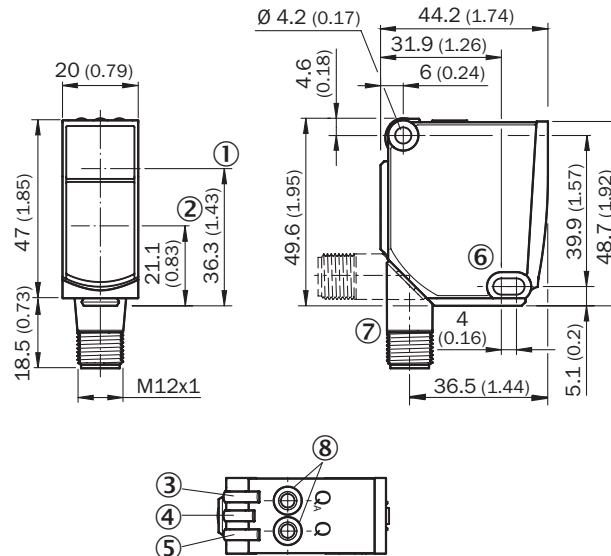


図 37: WTT12L-A2xxx

- ① 投光器光軸の中心
- ② 受光器光軸の中心
- ③ 黄色の LED 表示: アナログ出力の状態
- ④ 緑色 LED 表示: 供給電圧アクティブ
- ⑤ LED 表示 黄色: スイッチング出力

- ⑥ 取付穴 D4,2 mm
- ⑦ プラグ M12、5 ピン
- ⑧ シングルティーチボタン

67 コミッショニング

67.1 使用条件の確認:

アナログ出力:

アナログ出力の精度仕様については表技術仕様 (抜粋) と表 H3, H4 を参照してください。

スイッチング出力:

検出範囲と対象物または背景への距離、ならびに対象物の反射率を対応する図 [H1, H2 を参照] に従って調整します (x = 検出範囲, y = 対象物と背景の最小距離 (対象物反射率 / 背景反射率))。反射率: 6 % = 黒、90 % = 白 (DIN 5033 に準拠した白) 背景抑制のための最低必要距離 (= y) は図 [H1① を参照] から以下のように読み取ることができます:

例: x = 1000 mm、y = 25 mm つまり背景は対象物からの距離が 25 mm を超える場合に抑制されます。

Min. distance from object to background in mm (inch)

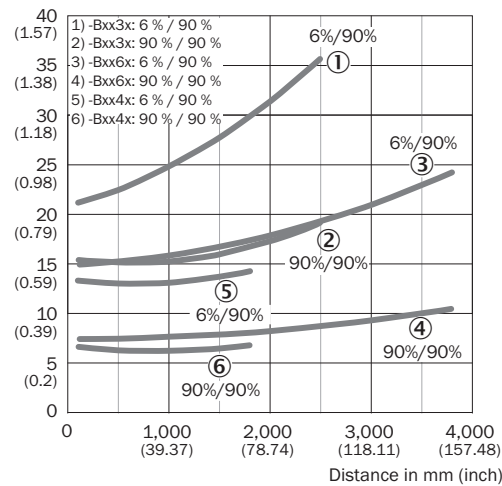


図: H-1

Min. distance from object to background in mm (inch)

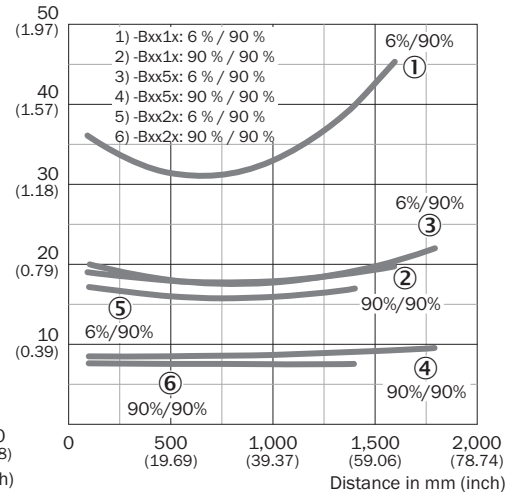


図: H-2

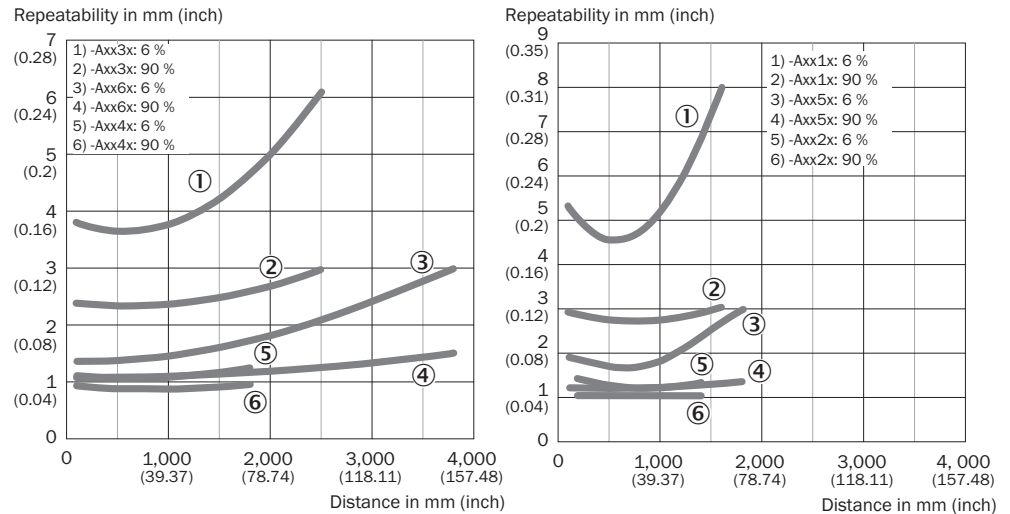


図: H-3

図: H-4

67.2 取付け

適切なブラケットを使用してセンサを取り付けます (SICK 付属品カタログを参照)。

センサの締め付けトルクの最大許容値 0,8 Nm に注意してください。

センサに対して対象物が検出可能な方向にあることを確認してください。

67.3 電子機器

センサの接続は無電圧 ($U_v = 0\text{ V}$) で行わなければなりません。接続タイプに応じてグラフ [B を参照] の情報に留意してください:

- コネクタ接続: ピン配置
- ケーブル: 芯線の色

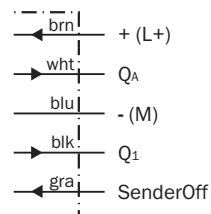


図: B: -A15X3

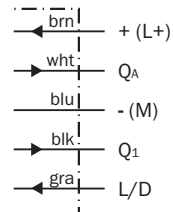


図: B: -A15X7

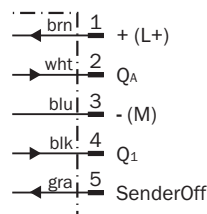


図: B-2: -A25X3/-A35X3

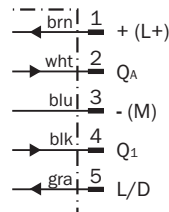


図: B: -A25X7/-A35X7

すべての電気機器を接続してから供給電圧 ($U_v > 0\text{ V}$) を印加、あるいは電源を入れてください。センサの緑色の LED 表示が点灯します。

接続図の説明 (グラフ B):

投光器 Off = 投光 LED のスイッチオフ、HIGH active

L/D = ライト/ダークオン

67.4 方向調整

センサを対象物に合わせます。赤色の投光軸を対象物の中央に照射されるように位置を選択します。センサの光開口（フロントガラス）が全く遮らぎられないことがないよう、注意してください [D を参照]。反射率の低い対象物を使用して調整することをお勧めします。

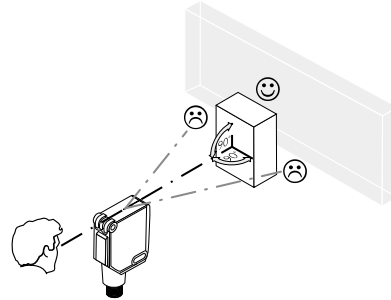


図: D

68 設定

68.1 設定

パラメータ化実行:a) アナログ出力の設定

アナログ出力の工場出荷時設定は以下の通りです:

4 mA = 100 mm

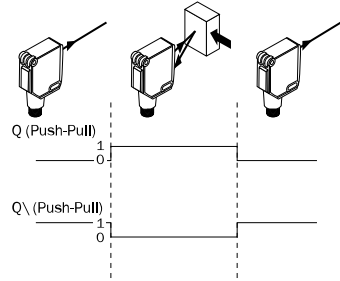
20 mA = 最大検出距離 (タイプによる)

ティーチンボタン Q_A により、設定をアプリケーションに合わせて変更できます (図 E および G を参照)。ティーチンボタンを尖った物体で操作しないでください。ティーチ順序および対象物距離によって、アナログ出力の特性曲線が定義されます。対象物を光軸上に配置します。ティーチンボタン Q_A を 1 秒以上押し続け、左の黄色い LED が点滅し始めたらボタンから手を離します。LED は点滅し続けます。現在の対象物までの距離が 4 mA (0.05 V) の値に割り当てられます。その後、対象物を移動させます。左の黄色い LED が点滅しなくなるまで、ティーチンボタン Q_A を再度 1 秒以上押し続けます。測定された対象物までの距離が 20 mA (10 V) の値に割り当てられます。対象物が近くから遠くへ、あるいは遠くから近くへ移動するかどうかに応じて、立ち上がりエッジまたは立ち下がりエッジが生じます。アナログ出力は、電流出力と電圧出力の間で切り替えることができます (図 J を参照)。さらに、左の黄色と緑色の LED が交互に点滅し始めるまで、ティーチンボタン Q_A を 10 秒以上押し続けます。その後、ティーチンボタンから手を離します。緑色の LED は点滅し続けます。センサが電流モードまたは電圧モードであるかに応じて、左の黄色い LED が点灯します。これらのモードを切り替えるには、ティーチンボタン Q_A を短く押します。10 秒以上ボタンを押さなければ、センサは現在のモードを保存して、設定メニューを終了します。

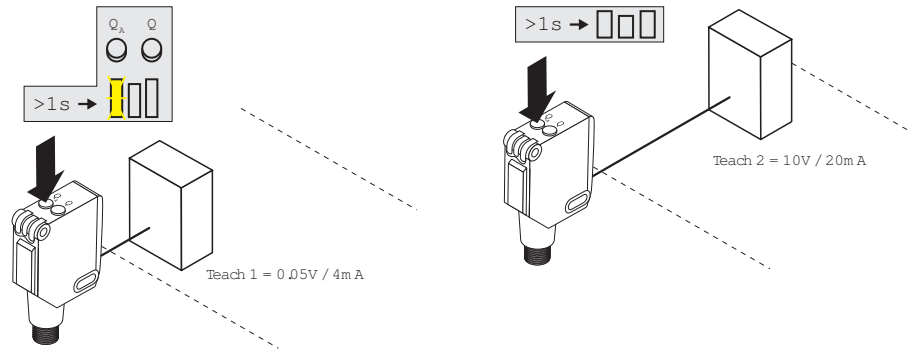
b) スイッチング出力の設定

ティーチンボタン Q を 1 秒以上押し続けると、検出距離を設定できます (図 F を参照)。ティーチンボタンを尖った物体で操作しないでください。検出距離を対象物内に入れることをお勧めします。検出距離が設定された後、対象物を光軸から取り除く背景が抑制され、スイッチング出力が変化します (図 C を参照)。

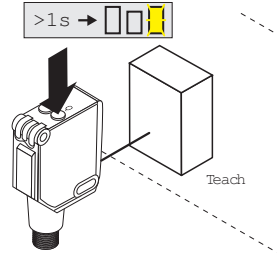
c) SOPAS から設定、SICK のメモリスティックにより設定を転送別の方法として、SICK 独自のソフトウェア SOPAS からセンサを設定することができます。アクセサリの SICK メモリスティック (IOLP2ZZ-M3201、製品番号 1064290) を使用して、センサの設定を他のセンサに転送することもできます。本製品に関してご不明な点は、営業担当者までお問い合わせください。



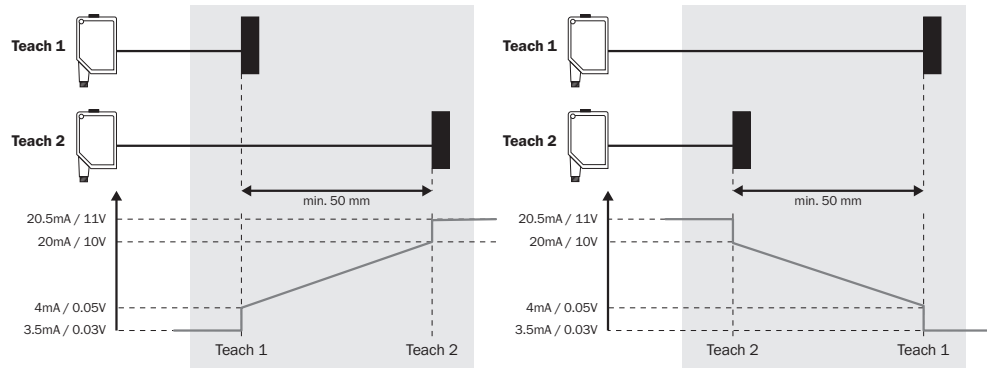
☒: C



☒: E



☒ 38: F



☒ 39: G

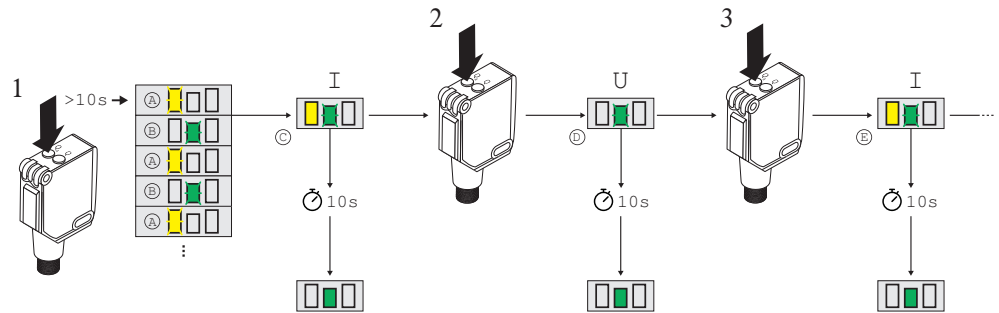


図 40: J

69 トラブルシューティング

69.1 トラブルシューティング

トラブルシューティングの表は、センサが機能しなくなった場合に、どのような対策を講じるべきかを示しています。

69.2 故障診断表

| LED 表示灯/故障パターン | 原因 | 対策 |
|--|---|---|
| 緑色の LED が点灯しない | 無電圧、または電圧が限界値以下 | 電源を確認し、すべての電気接続（ケーブルおよびプラグ接続）を確認します |
| 緑色の LED が点灯しない | 電圧がきていない又は不安定 | 安定した電源電圧が供給されていることを確認します |
| 緑色の LED が点灯しない | センサの異常 | 電源に問題がなければ、センサを交換します |
| 緑色の LED が点灯、対象物が検出された際に出力信号がない | SenderOff が正しく接続されていません | SenderOff の接続に関する注意事項を参照してください |
| 黄色い LED が同時に点滅 | センサの動作準備は整っていません。周囲温度が低い場合、センサはウォームアップ中です。周囲温度が高すぎる場合、センサはオフになりました。 | 周囲温度が低い場合は、センサが温まるまで待機します。周囲温度が高すぎる場合、冷却するよう対策を講じてください。 |
| 黄色の LED が点滅（一時的に） | ティーチンモード | ティーチンモードを確認します |
| rechte gelbe LED leuchtet, kein Objekt im Strahlengang | センサと背景の間隔が短すぎる | 検出範囲を縮小します。 |
| 対象物は光軸にある、黄色い LED は点灯しない | センサと対象物の間隔が長すぎる、または検出範囲の設定が短すぎる | 検出範囲を拡大します。 |

70 技術仕様（抜粋）

| | -Axx1x | -Axx2x | -Axx3x | -Axx4x | -Axx5x | -Axx6x |
|-------------|---------------------|---------------------|---------------------|-----------------|-----------------|-----------------|
| レーザークラス | 1 | 1 | 1 | 1 | 1 | 1 |
| 光点のスポット径/距離 | < 11.0 mm / 1600 mm | < 10.0 mm / 1400 mm | < 14.0 mm / 2500 mm | <12.0 / 1800 mm | <12.0 / 1800 mm | <12.0 / 3800 mm |

| | -Axx1x | -Axx2x | -Axx3x | -Axx4x | -Axx5x | -Axx6x |
|-----------------------------|--|--|--|--|--|--|
| スイッチング出力 (出力電流 $I_{max.}$) | 1x PUSH/ PULL: PNP/NPN (50 mA) | 1x PUSH/ PULL: PNP/NPN (50 mA) | 1x PUSH/ PULL: PNP/NPN (50 mA) | 1x PUSH/ PULL: PNP/NPN (50 mA) | 1x PUSH/ PULL: PNP/NPN (50 mA) | 1x PUSH/ PULL: PNP/NPN (50 mA) |
| 検出範囲 | 100 ... 1600 mm ¹⁾ | 100 ... 1400 mm ¹⁾ | 100 ... 2500 mm ¹⁾ | 100 ... 1800 ¹⁾ | 100 ... 1800 ¹⁾ | 100 ... 3800 ¹⁾ |
| 最大検出範囲 | 50 ... 1600 mm ¹⁾ | 50 ... 1400 mm ¹⁾ | 50 ... 2500 mm ¹⁾ | 50 ... 1800 ¹⁾ | 50 ... 1800 ¹⁾ | 50 ... 3800 ¹⁾ |
| 最大スイッチング周波数 | 1,000 Hz ²⁾ | 30 Hz ²⁾ | 1,000 Hz ²⁾ | 30 Hz ²⁾ | 100 Hz ²⁾ | 100 Hz ²⁾ |
| 最大応答時間 | 0.5 ms ³⁾ | 16.7 ms ³⁾ | 0.5 ms ³⁾ | 16.7 ms ³⁾ | 5 ms ³⁾ | 5 ms ³⁾ |
| アナログ出力 | 1x 4 mA ... 20 mA ($\leq 450 \Omega$) 0 V ... 10 V ($\geq 50 \text{ k}\Omega$) configurable | 1x 4 mA ... 20 mA ($\leq 450 \Omega$) 0 V ... 10 V ($\geq 50 \text{ k}\Omega$) configurable | 1x 4 mA ... 20 mA ($\leq 450 \Omega$) 0 V ... 10 V ($\geq 50 \text{ k}\Omega$) configurable | 1x 4 mA ... 20 mA ($\leq 450 \Omega$) 0 V ... 10 V ($\geq 50 \text{ k}\Omega$) configurable | 1x 4 mA ... 20 mA ($\leq 450 \Omega$) 0 V ... 10 V ($\geq 50 \text{ k}\Omega$) configurable | 1x 4 mA ... 20 mA ($\leq 450 \Omega$) 0 V ... 10 V ($\geq 50 \text{ k}\Omega$) configurable |
| 測定範囲 | 100 ... 1600 mm | 100 ... 1400 mm | 100 ... 2500 mm | 100 ... 1800 mm | 100 ... 1800 mm | 100 ... 3800 mm |
| 分解能 | 1 mm / 12 Bit | 1 mm / 12 Bit | 1 mm / 12 Bit | 1 mm / 12 Bit | 1 mm / 12 Bit | 1 mm / 12 Bit |
| 再現性 1 | 2.7 ... 8.0 mm | 1.1 ... 1.5 mm | 2.3 ... 6.1 mm | 0.9 ... 1.3 mm | 1.2 ... 3.0 mm | 1.1 ... 3.0 mm |
| 正確性 | typ. ± 20 mm (50 ... 1000 mm) typ. ± 15 mm (1000 ... 1600 mm) | typ. ± 20 mm (50 ... 1000 mm) typ. ± 15 mm (1000 ... 1400 mm) | typ. ± 15 mm | typ. ± 15 mm | typ. ± 20 mm (50 ... 1000 mm) typ. ± 15 mm (1000 ... 1800 mm) | typ. ± 15 mm |
| 出力レート | 3 ms | 16.7 ms | 3 ms | 16.7 ms | 5 ms | 5 ms |
| 入力 | inactive (U Low): $< 5 \text{ V}$ / active (U High): 12 V ... V_S | inactive (U Low): $< 5 \text{ V}$ / active (U High): 12 V ... V_S | inactive (U Low): $< 5 \text{ V}$ / active (U High): 12 V ... V_S | inactive (U Low): $< 5 \text{ V}$ / active (U High): 12 V ... V_S | inactive (U Low): $< 5 \text{ V}$ / active (U High): 12 V ... V_S | inactive (U Low): $< 5 \text{ V}$ / active (U High): 12 V ... V_S |
| 保護等級 | IP 67 | IP 67 | IP 67 | IP 67 | IP 67 | IP 67 |
| 供給電圧 U_V | DC 12 ... 30 V (for use of analog voltage output $V_S =$ 13 ... 30 V DC) ⁴⁾ | DC 12 ... 30 V (for use of analog voltage output $V_S =$ 13 ... 30 V DC) ⁴⁾ | DC 12 ... 30 V (for use of analog voltage output $V_S =$ 13 ... 30 V DC) ⁴⁾ | DC 12 ... 30 V (for use of analog voltage output $V_S =$ 13 ... 30 V DC) ⁴⁾ | DC 12 ... 30 V (for use of analog voltage output $V_S =$ 13 ... 30 V DC) ⁴⁾ | DC 12 ... 30 V (for use of analog voltage output $V_S =$ 13 ... 30 V DC) ⁴⁾ |
| 保護クラス | III | III | III | III | III | III |
| 回路保護 | A, B, C ⁵⁾ | A, B, C ⁵⁾ | A, B, C ⁵⁾ | A, B, C ⁵⁾ | A, B, C ⁵⁾ | A, B, C ⁵⁾ |
| 周辺温度 (作動中) | -35 ... +50 °C ⁶⁾ | -35 ... +50 °C ⁶⁾ | -35 ... +50 °C ⁶⁾ | -35 ... +50 °C ⁶⁾ | -35 ... +50 °C ⁶⁾ | -35 ... +50 °C ⁶⁾ |
| ウォームアップ時間 | <15 min | <15 min | <15 min | <15 min | <15 min | <15 min |

| | -Axx1x | -Axx2x | -Axx3x | -Axx4x | -Axx5x | -Axx6x |
|--|--------|--------|--------|--------|--------|--------|
| 1) 反射率 6 % ... 90 % の対象物 (DIN 5033 に準拠した白色) 2) ライト/ダークの比率 1:1 3) 負荷のある信号経過時間 4) 限界値：短絡保護の操作は最大 8 A；残留リップルは最大 5 V _{ss} 5) $UV \leq 24 V$ の場合。TU = 45 °C の場合、QA での最大許容負荷抵抗は 300 Ω ... 450 Ω です。TU = -10 °C を下回る場合、ウォームアップ時間が必要です。 | | | | | | |

71 分解および廃棄

センサは必ず該当国の規制にしたがって処分してください。廃棄処理の際には、できるだけ構成材料をリサイクルするよう努めてください（特に貴金属類）。



注意事項

バッテリー、電気および電子デバイスの廃棄

- ・ 国際的指令に従い、バッテリー、アキュムレータ、および電気または電子デバイスは、一般廃棄物として廃棄することはできません。
- ・ 法律により、所有者は、本デバイスの耐用年数の終了時に本デバイスをそれぞれの公的な回収場所まで返却することが義務付けられています。



■ 製品、梱包または本文書に記載されているこの記号は、製品がこれらの規制の対象であることを示します。

72 メンテナンス

SICK センサはメンテナンスフリーです。

定期的に以下を行うことをお勧めしています：

- ・ レンズ境界面の清掃
- ・ ネジ締結と差込み締結の点検

機器を改造することは禁止されています。

記載内容につきましては予告なしに変更する場合がございますのであらかじめご了承ください。指定された製品特性および技術データは保証書ではありません。

PowerProx Analog - WTT12L-Axxx

Многозадачный фотоэлектрический датчик

SICK
Sensor Intelligence.



de
en
es
fr
it
ja
pt
ru
zh

Описание продукта

PowerProx Small Analog - WTT12L-Axxx

Изготовитель

SICK AG
Erwin-Sick-Str. 1
79183 Waldkirch
Deutschland (Германия)

Правовые примечания

Данная документация защищена авторским правом. Обоснованные таким образом права сохраняются за фирмой SICK AG. Тиражирование документации или ее части допускается только в рамках положений закона об авторских правах. Внесение в документацию изменений, сокращение или перевод ее содержания без однозначного письменного согласия фирмы SICK AG запрещено.

Товарные знаки, упомянутые в данном документе, являются собственностью соответствующего владельца.

© SICK AG Все права защищены.

Оригинальный документ




Настоящий документ является оригинальным документом SICK AG.




Содержание

| | | |
|-----------|--|------------|
| 73 | Общие указания по технике безопасности..... | 99 |
| 74 | Указания по допуску к эксплуатации UL..... | 99 |
| 75 | Описание изделия..... | 99 |
| | 75.1 Надлежащее применение..... | 99 |
| | 75.2 Масштабный чертёж..... | 100 |
| 76 | Ввод в эксплуатацию..... | 101 |
| | 76.1 Проверка условий применения:..... | 101 |
| | 76.2 Монтаж..... | 102 |
| | 76.3 Электроника..... | 102 |
| | 76.4 Выравнивание..... | 103 |
| 77 | Конфигурирование..... | 103 |
| | 77.1 Настройка..... | 103 |
| 78 | Устранение неисправностей..... | 105 |
| | 78.1 Устранение неисправностей..... | 105 |
| | 78.2 Таблица диагностики неисправностей..... | 105 |
| 79 | Технические характеристики..... | 106 |
| 80 | Демонтаж и утилизация..... | 107 |
| 81 | Техобслуживание..... | 108 |

73 Общие указания по технике безопасности

- Перед вводом в эксплуатацию прочитайте инструкции по эксплуатации.
-  Подключение, монтаж и настройку могут выполнять только квалифицированные специалисты.
-  Не является компонентом безопасности в соответствии с Директивой ЕС по работе с машинным оборудованием.
-  При вводе в эксплуатацию защищайте устройство от влаги и загрязнений.
- Настоящие инструкции по эксплуатации содержат информацию, необходимую в течение срока эксплуатации датчика.

| | |
|--|------------|
| LASER CLASS 1 | |
|  | Laser 1 |
| EN/IEC 60825-1:2014 IEC60825-1:2007 | |
| Maximum pulse power < 20 mW Puls length: 5.3 µs Wavelength: 940 nm | |
| Complies with 21 CFR 1040.10 and 1040.11 except for deviations pursuant to Laser Notice No. 50, dated June 24, 2007 | |



ВНИМАНИЕ

ПРЕДУПРЕЖДЕНИЕ: прерывание, обработка или неправильное использование могут привести к опасному воздействию лазерного излучения.

74 Указания по допуску к эксплуатации UL

The device must be supplied by a Class 2 source of supply.

UL Environmental Rating: Enclosure type 1

75 Описание изделия

75.1 Надлежащее применение

WTT12L-Axxxx является оптоэлектронным фотозлектрическим датчиком диффузионного типа с аналоговым выводом значения расстояния (вдальнейшем называемым «датчик») и используется для оптической бесконтактной регистрации предметов. В случае использования устройства для иных целей, а также в случае внесения в изделие изменений, любые претензии к компании SICK AG на предоставление гарантии исключаются.

75.2 Масштабный чертёж

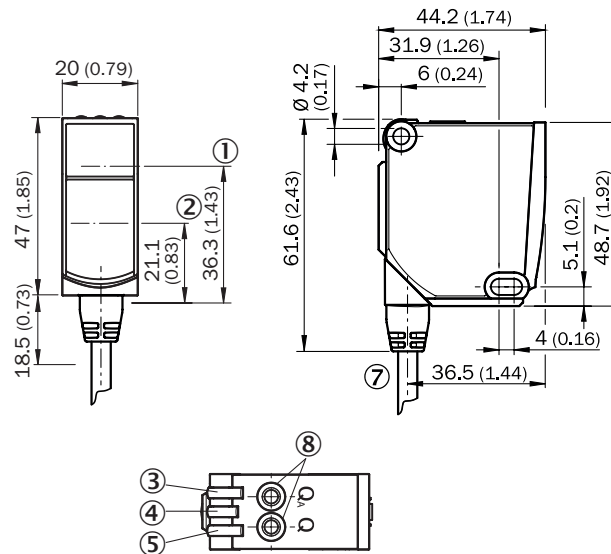


Рисунок 41: WTT12L-A1xxx / -A3xxx

- ① Середина оптической оси передатчика
- ② Середина оптической оси приемника
- ③ СД-индикатор желтый: состояние аналогового выхода
- ④ СД-индикатор зеленый: напряжение питания включено
- ⑤ Желтый светодиодный индикатор: переключающий выход
- ⑥ Монтажное отверстие D4,2 мм
- ⑦ выход кабеля
- ⑧ Кнопка простого обучения

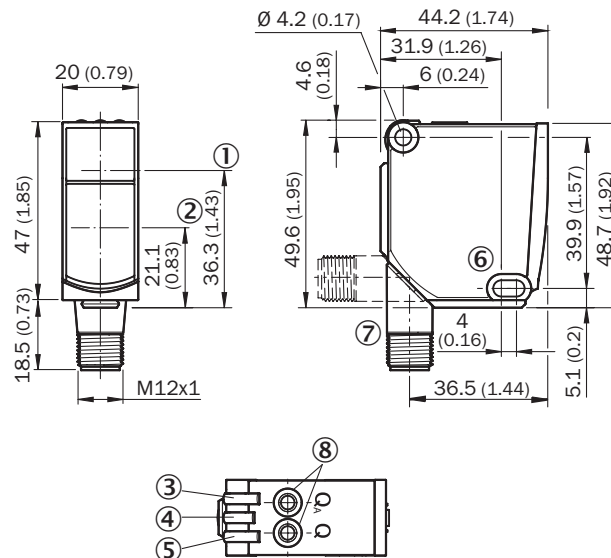


Рисунок 42: WTT12L-A2xxx

- ① Середина оптической оси передатчика
- ② Середина оптической оси приемника
- ③ СД-индикатор желтый: состояние аналогового выхода
- ④ СД-индикатор зеленый: напряжение питания включено
- ⑤ Желтый светодиодный индикатор: переключающий выход

- ⑥ Монтажное отверстие D4,2 мм
- ⑦ Штекер M12, 5-контактный
- ⑧ Кнопка простого обучения

76 Ввод в эксплуатацию

76.1 Проверка условий применения:

Аналоговый выход:

Характеристики точности аналогового выхода приведены в таблице [Технические характеристики](#) а также в диаграмме Н3, Н4.

Переключающий выход:

Сравнить расстояние срабатывания и дистанцию до объекта / фона, а также яркость объекта с соответствующей диаграммой [см. Н1, Н2] (x = расстояние срабатывания, y = минимальная дистанция между объектом и фоном в мм (коэффициент диффузного отражения объекта / коэффициент диффузного отражения фона)). Коэффициент диффузного отражения: 6 % = чёрный, 90 % = белый (относительно стандартного белого по DIN 5033).

Минимальную дистанцию (= y) для подавления заднего фона можно определить по диаграмме [см. Н1 ①] следующим образом:

Пример: $x = 1000$ мм, $y = 25$ мм. То есть, фон затемняется при расстоянии > 25 мм от объекта.

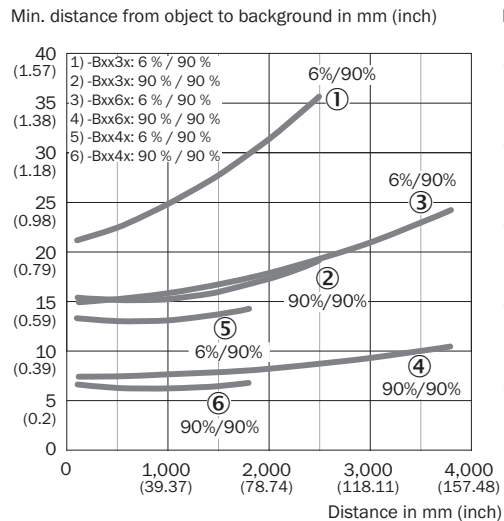


Рисунок: Н-1

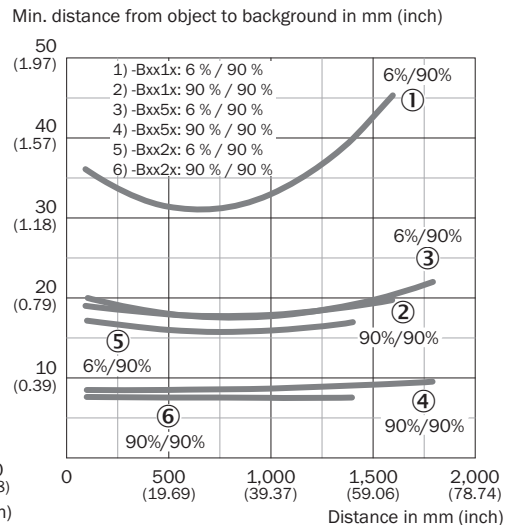


Рисунок: Н-2

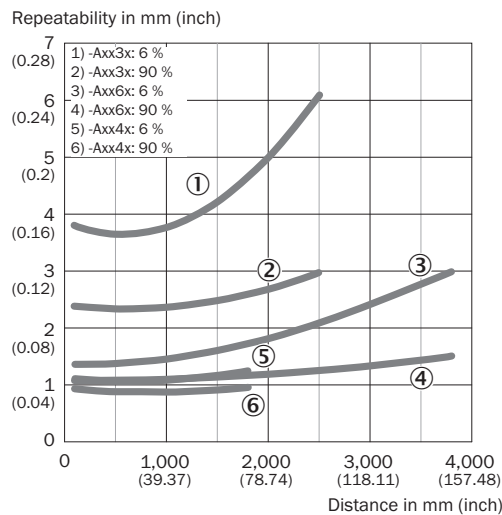


Рисунок: H-3

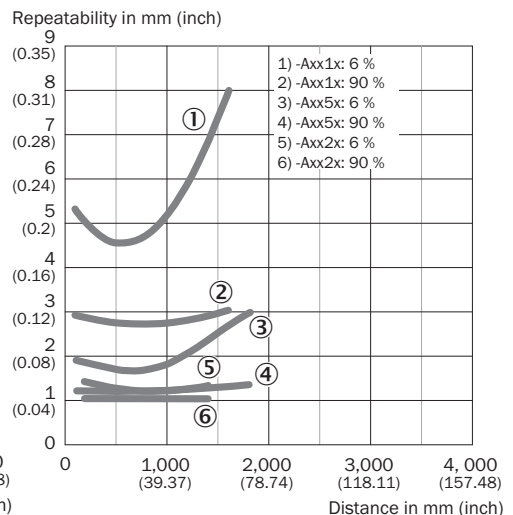


Рисунок: H-4

76.2 Монтаж

Установите сенсор на подходящем крепежном уголке (см. программу принадлежностей от SICK).

Выдерживайте максимально допустимый момент затяжки сенсора в 0,8 Нм.

Учитывайте предпочтительное направление объекта относительно сенсора [см. С].

76.3 Электроника

Подключение датчиков должно производиться при отключенном напряжении питания ($U_V = 0$ В). В зависимости от типа подключения необходимо учитывать информацию, приведенную на графиках [см. В]:

- Штепсельный разъем: назначение контактов
- Кабель: цвет жилы

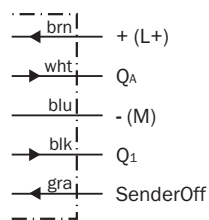


Рисунок: В: -A15X3

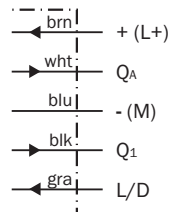


Рисунок: В: -A15X7

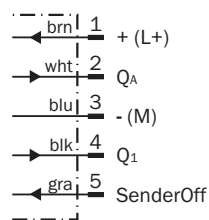


Рисунок: В-2: -A25X3/ -A35X3

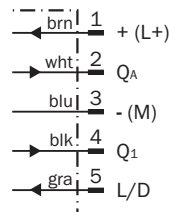


Рисунок: В: -A25X7/ -A35X7

Подавайте напряжение питания и включайте источник напряжения только после завершения подключения всех электрических соединений ($U_V > 0$ В). На сенсоре загорается зелёный светодиодный индикатор.

Пояснения к схеме электрических соединений (график В):

SenderOff («передатчик откл.») = отключение передающего светодиода, high-active
 L/D = переключение между активацией при наличии или отсутствии отраженного света

76.4 Выравнивание

Направьте сенсор на объект. Выберите такую позицию, чтобы красный луч передатчика попадал в центр объекта. Оптическое отверстие (фронтальное стекло) на сенсоре должно быть полностью свободным [см. D]. Рекомендуется выполнять настройку с объектом пониженной яркости.

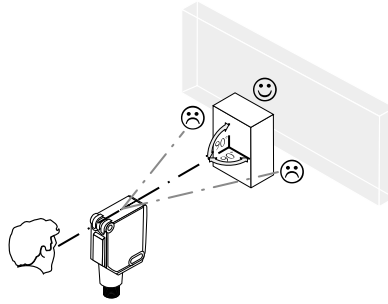


Рисунок: D

77 Конфигурирование

77.1 Настройка

Выполнить параметризацию:

а) Настройка аналогового выхода

Аналоговый выход настроен на заводе-изготовителе следующим образом:

4 мА = 100 мм

20 мА° = максимальное расстояние срабатывания (зависит от типа)

Настройки можно адаптировать к различным случаям применения с помощью кнопки обучения Q_A (см. рисунки E и G). Не нажимайте кнопку обучения острыми предметами. Характеристика аналогового выхода определяется последовательностью обучения и расстоянием до объекта. Поместите объект на траектории луча. Нажмите и удерживайте кнопку обучения $Q_A > 1$ секунды, пока левый желтый светодиод не начнет мигать, после этого отпустите кнопку.

Светодиод продолжит мигать. Текущая дистанция до объекта назначается значению 4 мА (0,05 В). Теперь переместите объект. Снова удерживайте кнопку обучения $Q_A > 1$ секунды, пока левый желтый светодиод не перестанет мигать. Измеренная дистанция до объекта назначается значению 20 мА (10 В). В зависимости от того, был ли объект перемещен дальше от текущего положения или ближе, формируется восходящий или нисходящий фронт сигнала. Аналоговый выход может переключаться между током и напряжением (см. рисунок J). Для этого нажмите и удерживайте кнопку обучения $Q_A > 10$ секунд, пока левый желтый светодиод и зеленый светодиод не начнут мигать попеременно. Затем отпустите кнопку. Зеленый светодиод продолжит мигать. Левый желтый светодиод загорится в зависимости от того, находится ли датчик в режиме токового выхода или выхода по напряжению. Для переключения между режимами коротко нажмите кнопку обучения Q_A . Если нажатия кнопки не происходит дольше 10 секунд, датчик сохраняет текущий режим, и происходит выход из меню настроек.

б) Настройка переключающего выхода

Регулировка расстояния срабатывания производится нажатием кнопки обучения Q дольше 1 секунды (см. рисунок F). Не нажимайте кнопку обучения острыми предметами. Рекомендуется устанавливать расстояние срабатывания так, чтобы его граница проходила внутри объекта. После настройки расстояния срабатывания удалите объект с траектории луча, при этом затемняется фон и изменяется переключающий выход (см. рисунок C).

с) Настройка с помощью ПО SOPAS и перенос настроек посредством флеш-накопителя SICK Memory Stick в качестве альтернативы возможна настройка датчика с помощью собственного программного обеспечения SICK SOPAS. Вы также можете использовать флеш-накопитель SICK Memory Stick (IOLP2ZZ-M3201, артикульный номер 1064290) для переноса настроек с одного датчика на другой. При возникновении вопросов обращайтесь к сотруднику отдела сбыта, работающему с вашей компанией.

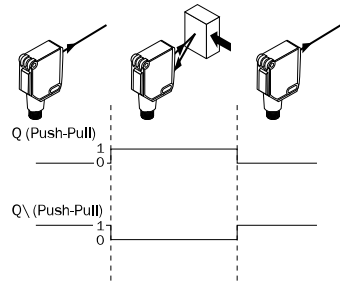


Рисунок: C

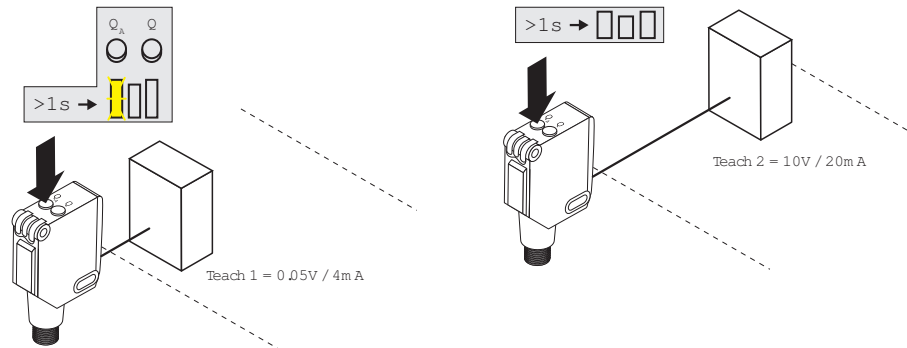


Рисунок: E

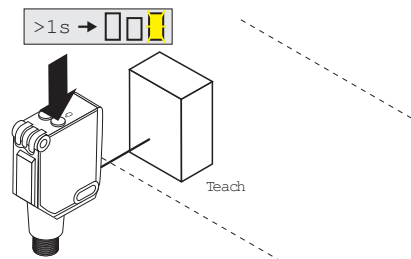


Рисунок 43: F

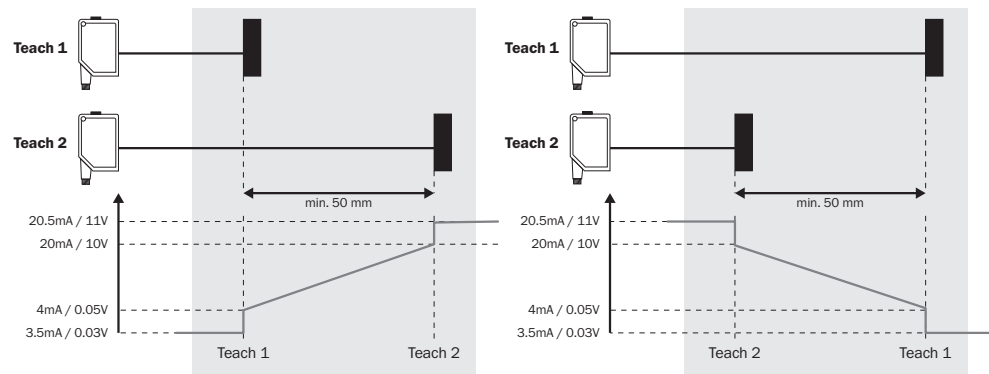


Рисунок 44: G

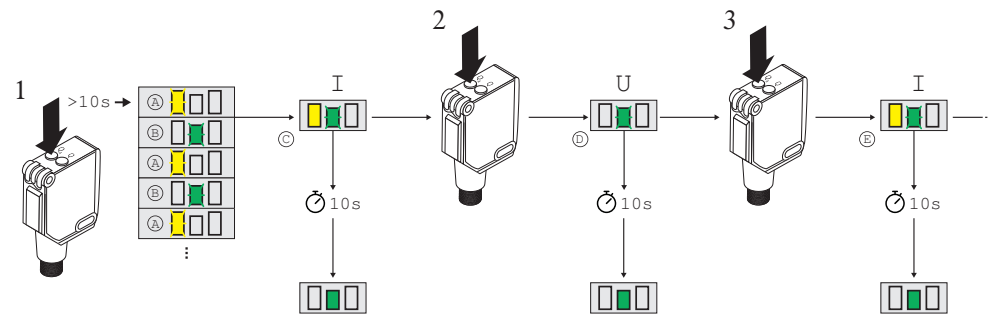


Рисунок 45: J

78 Устранение неисправностей

78.1 Устранение неисправностей

В таблице Устранение неисправностей показано, какие меры необходимо предпринять, если датчики не работают.

78.2 Таблица диагностики неисправностей

| Светодиодный индикатор / картина неисправности | Причина | Меры по устранению |
|---|--|--|
| зеленый светодиод не горит | нет напряжения питания или оно ниже нижнего предельного значения | Проверить напряжения питания, всю схему электроподключения (проводку и разъемные соединения) |
| зеленый светодиод не горит | Пропадание напряжения питания | Обеспечить надежную подачу напряжения питания без его пропадания |
| зеленый светодиод не горит | Сенсор неисправен | Если напряжение питания в порядке, то заменить сенсор |
| зеленый светодиод горит, выходной сигнал детектирования объекта отсутствует | SenderOff неверно подключен | См. указания по подключению SenderOff |
| Синхронно мигают желтые светодиоды | Сенсор не готов к работе. При низкой окружающей температуре — сенсор находится в фазе разогрева. | При низкой окружающей температуре подождите, пока сенсор не разогреется. При |

| Светодиодный индикатор / картина неисправности | Причина | Меры по устранению |
|--|---|---|
| | При высокой окружающей температуре — сенсор отключился. | высокой окружающей температуре обеспечьте охлаждение сенсора. |
| желтый светодиод мигает (лишь кратковременно) | Режим калибровки | Проверить режим калибровки |
| rechte gelbe LED leuchtet, kein Objekt im Strahlengang | Расстояние между сенсором и фоном слишком мало | Уменьшить расстояние срабатывания. |
| Объект на пути луча, желтый светодиод не горит | Слишком большое расстояние между сенсором и объектом или установлена слишком малая дистанция переключения | Увеличить расстояние срабатывания. |

79 Технические характеристики

| | -Ахх1х | -Ахх2х | -Ахх3х | -Ахх4х | -Ахх5х | -Ахх6х |
|--|--|--|--|--|--|--|
| Класс лазера | 1 | 1 | 1 | 1 | 1 | 1 |
| Диаметр светового пятна / расстояние | < 11.0 mm / 1600 mm | < 10.0 mm / 1400 mm | < 14.0 mm / 2500 mm | <12.0 / 1800 mm | <12.0 / 1800 mm | <12.0 / 3800 mm |
| Переключающий выход (выходной ток $I_{\text{макс.}}$) | 1x PUSH/ PULL: PNP/NPN (50 mA) | 1x PUSH/ PULL: PNP/NPN (50 mA) | 1x PUSH/ PULL: PNP/NPN (50 mA) | 1x PUSH/ PULL: PNP/NPN (50 mA) | 1x PUSH/ PULL: PNP/NPN (50 mA) | 1x PUSH/ PULL: PNP/NPN (50 mA) |
| Расстояние срабатывания | 100 ... 1600 mm ¹⁾ | 100 ... 1400 mm ¹⁾ | 100 ... 2500 mm ¹⁾ | 100 ... 1800 ¹⁾ | 100 ... 1800 ¹⁾ | 100 ... 3800 ¹⁾ |
| Расстояние срабатывания, макс. | 50 ... 1600 mm ¹⁾ | 50 ... 1400 mm ¹⁾ | 50 ... 2500 mm ¹⁾ | 50 ... 1800 ¹⁾ | 50 ... 1800 ¹⁾ | 50 ... 3800 ¹⁾ |
| Частота срабатывания макс. | 1,000 Hz ²⁾ | 30 Hz ²⁾ | 1,000 Hz ²⁾ | 30 Hz ²⁾ | 100 Hz ²⁾ | 100 Hz ²⁾ |
| Время отклика макс. | 0.5 ms ³⁾ | 16.7 ms ³⁾ | 0.5 ms ³⁾ | 16.7 ms ³⁾ | 5 ms ³⁾ | 5 ms ³⁾ |
| Аналоговый выход | 1x 4 mA ... 20 mA ($\leq 450 \Omega$) 0 V ... 10 V ($\geq 50 \text{ k} \Omega$) configurable | 1x 4 mA ... 20 mA ($\leq 450 \Omega$) 0 V ... 10 V ($\geq 50 \text{ k} \Omega$) configurable | 1x 4 mA ... 20 mA ($\leq 450 \Omega$) 0 V ... 10 V ($\geq 50 \text{ k} \Omega$) configurable | 1x 4 mA ... 20 mA ($\leq 450 \Omega$) 0 V ... 10 V ($\geq 50 \text{ k} \Omega$) configurable | 1x 4 mA ... 20 mA ($\leq 450 \Omega$) 0 V ... 10 V ($\geq 50 \text{ k} \Omega$) configurable | 1x 4 mA ... 20 mA ($\leq 450 \Omega$) 0 V ... 10 V ($\geq 50 \text{ k} \Omega$) configurable |
| Диапазон измерения | 100 ... 1600 mm | 100 ... 1400 mm | 100 ... 2500 mm | 100 ... 1800 mm | 100 ... 1800 mm | 100 ... 3800 mm |
| Разрешение | 1 mm / 12 Bit | 1 mm / 12 Bit | 1 mm / 12 Bit | 1 mm / 12 Bit | 1 mm / 12 Bit | 1 mm / 12 Bit |
| Воспроизводимость 1 | 2.7 ... 8.0 mm | 1.1 ... 1.5 mm | 2.3 ... 6.1 mm | 0.9 ... 1.3 mm | 1.2 ... 3.0 mm | 1.1 ... 3.0 mm |
| Точность | typ. ± 20 mm (50 ... 1000 mm) typ. ± 15 mm (1000 ... 1600 mm) | typ. ± 20 mm (50 ... 1000 mm) typ. ± 15 mm (1000 ... 1400 mm) | typ. ± 15 mm | typ. ± 15 mm | typ. ± 20 mm (50 ... 1000 mm) typ. ± 15 mm (1000 ... 1800 mm) | typ. ± 15 mm |
| Производительность | 3 ms | 16.7 ms | 3 ms | 16.7 ms | 5 ms | 5 ms |
| Вход | inactive (U Low): <5 V / active (U High): 12 V ... V_s | inactive (U Low): <5 V / active (U High): 12 V ... V_s | inactive (U Low): <5 V / active (U High): 12 V ... V_s | inactive (U Low): <5 V / active (U High): 12 V ... V_s | inactive (U Low): <5 V / active (U High): 12 V ... V_s | inactive (U Low): <5 V / active (U High): 12 V ... V_s |

| | -Ахх1х | -Ахх2х | -Ахх3х | -Ахх4х | -Ахх5х | -Ахх6х |
|--|---|---|---|---|---|---|
| Класс защиты | IP 67 | IP 67 | IP 67 | IP 67 | IP 67 | IP 67 |
| Напряжение питания U_V | DC 12 ... 30 V (for use of analog voltage output VS = 13 ... 30 V DC) ⁴⁾ | DC 12 ... 30 V (for use of analog voltage output VS = 13 ... 30 V DC) ⁴⁾ | DC 12 ... 30 V (for use of analog voltage output VS = 13 ... 30 V DC) ⁴⁾ | DC 12 ... 30 V (for use of analog voltage output VS = 13 ... 30 V DC) ⁴⁾ | DC 12 ... 30 V (for use of analog voltage output VS = 13 ... 30 V DC) ⁴⁾ | DC 12 ... 30 V (for use of analog voltage output VS = 13 ... 30 V DC) ⁴⁾ |
| Класс защиты | III | III | III | III | III | III |
| Схемы защиты | A, B, C ⁵⁾ | A, B, C ⁵⁾ | A, B, C ⁵⁾ | A, B, C ⁵⁾ | A, B, C ⁵⁾ | A, B, C ⁵⁾ |
| Диапазон рабочих температур | -35 ... +50 °C ⁶⁾ | -35 ... +50 °C ⁶⁾ | -35 ... +50 °C ⁶⁾ | -35 ... +50 °C ⁶⁾ | -35 ... +50 °C ⁶⁾ | -35 ... +50 °C ⁶⁾ |
| Время на разогрев | <15 min | <15 min | <15 min | <15 min | <15 min | <15 min |
| <p>¹⁾ Сканируемый объект – ремиссия 6 % ... 90 % (относительно стандартного белого по DIN 5033)</p> <p>²⁾ Соотношение светлых и темных участков изображения 1:1</p> <p>³⁾ Продолжительность сигнала при омической нагрузке</p> <p>⁴⁾ Предельные значения: эксплуатация в защищенной от короткого замыкания сети макс. 8 А; остаточная волнистость макс. 5 Bss</p> <p>⁵⁾ Для $UV \leq 24$ В начиная с $T_U = 45$ °C на QАдопустимо максимальное нагрузочное сопротивление от 300 Ом до 450 Ом. При значении ниже $T_U = -10$ °C требуется время на прогрев.</p> | | | | | | |

80 Демонтаж и утилизация

Датчик должен быть утилизирован в соответствии с действующим законодательством конкретной страны. В процессе утилизации следует прилагать усилия для переработки составляющих материалов (особенно драгоценных металлов).



УКАЗАНИЕ

Утилизация батарей, электрических и электронных устройств

- В соответствии с международными директивами батареи, аккумуляторы и электрические или электронные устройства не должны выбрасываться в общий мусор.
- По закону владелец обязан вернуть эти устройства в конце срока их службы в соответствующие пункты общественного сбора.



Этот символ на изделии, его упаковке или в данном документе указывает на то, что изделие подпадает под действие настоящих правил.

81 Техобслуживание

Датчики SICK не нуждаются в техобслуживании.

Рекомендуется регулярно

- очищать оптические ограничивающие поверхности
- проверять прочность резьбовых и штекерных соединений

Запрещается вносить изменения в устройства.

Право на ошибки и внесение изменений сохранено. Указанные свойства изделия и технические характеристики не являются гарантией.

| | | |
|---|--|---|
| <p>Australia Phone +61 (3) 9457 0600 1800 33 48 02 - tollfree E-Mail sales@sick.com.au</p> | <p>Israel Phone +972-4-6881000 E-Mail info@sick-sensors.com</p> | <p>South Korea Phone +82 2 786 6321 E-Mail info@sickkorea.net</p> |
| <p>Austria Phone +43 (0) 2236 62288-0 E-Mail office@sick.at</p> | <p>Italy Phone +39 02 27 43 41 E-Mail info@sick.it</p> | <p>Spain Phone +34 93 480 31 00 E-Mail info@sick.es</p> |
| <p>Belgium/Luxembourg Phone +32 (0) 2 466 55 66 E-Mail info@sick.be</p> | <p>Japan Phone +81 3 5309 2112 E-Mail support@sick.jp</p> | <p>Sweden Phone +46 10 110 10 00 E-Mail info@sick.se</p> |
| <p>Brazil Phone +55 11 3215-4900 E-Mail comercial@sick.com.br</p> | <p>Malaysia Phone +603-8080 7425 E-Mail enquiry.my@sick.com</p> | <p>Switzerland Phone +41 41 619 29 39 E-Mail contact@sick.ch</p> |
| <p>Canada Phone +1 905.771.1444 E-Mail cs.canada@sick.com</p> | <p>Mexico Phone +52 (472) 748 9451 E-Mail mario.garcia@sick.com</p> | <p>Taiwan Phone +886-2-2375-6288 E-Mail sales@sick.com.tw</p> |
| <p>Czech Republic Phone +420 2 57 91 18 50 E-Mail sick@sick.cz</p> | <p>Netherlands Phone +31 (0) 30 229 25 44 E-Mail info@sick.nl</p> | <p>Thailand Phone +66 2 645 0009 E-Mail marcom.th@sick.com</p> |
| <p>Chile Phone +56 (2) 2274 7430 E-Mail chile@sick.com</p> | <p>New Zealand Phone +64 9 415 0459 0800 222 278 - tollfree E-Mail sales@sick.co.nz</p> | <p>Turkey Phone +90 (216) 528 50 00 E-Mail info@sick.com.tr</p> |
| <p>China Phone +86 20 2882 3600 E-Mail info.china@sick.net.cn</p> | <p>Norway Phone +47 67 81 50 00 E-Mail sick@sick.no</p> | <p>United Arab Emirates Phone +971 (0) 4 88 65 878 E-Mail info@sick.ae</p> |
| <p>Denmark Phone +45 45 82 64 00 E-Mail sick@sick.dk</p> | <p>Poland Phone +48 22 539 41 00 E-Mail info@sick.pl</p> | <p>United Kingdom Phone +44 (0)17278 31121 E-Mail info@sick.co.uk</p> |
| <p>Finland Phone +358-9-25 15 800 E-Mail sick@sick.fi</p> | <p>Romania Phone +40 356-17 11 20 E-Mail office@sick.ro</p> | <p>USA Phone +1 800.325.7425 E-Mail info@sick.com</p> |
| <p>France Phone +33 1 64 62 35 00 E-Mail info@sick.fr</p> | <p>Russia Phone +7 495 283 09 90 E-Mail info@sick.ru</p> | <p>Vietnam Phone +65 6744 3732 E-Mail sales.gsg@sick.com</p> |
| <p>Germany Phone +49 (0) 2 11 53 01 E-Mail info@sick.de</p> | <p>Singapore Phone +65 6744 3732 E-Mail sales.gsg@sick.com</p> | |
| <p>Hong Kong Phone +852 2153 6300 E-Mail ghk@sick.com.hk</p> | <p>Slovakia Phone +421 482 901 201 E-Mail mail@sick-sk.sk</p> | |
| <p>Hungary Phone +36 1 371 2680 E-Mail ertesites@sick.hu</p> | <p>Slovenia Phone +386 591 78849 E-Mail office@sick.si</p> | |
| <p>India Phone +91-22-6119 8900 E-Mail info@sick-india.com</p> | <p>South Africa Phone +27 (0)11 472 3733 E-Mail info@sickautomation.co.za</p> | <p>Further locations at www.sick.com</p> |

