

Object Detection

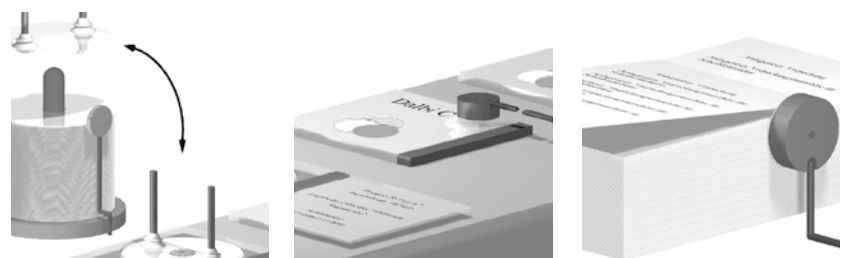
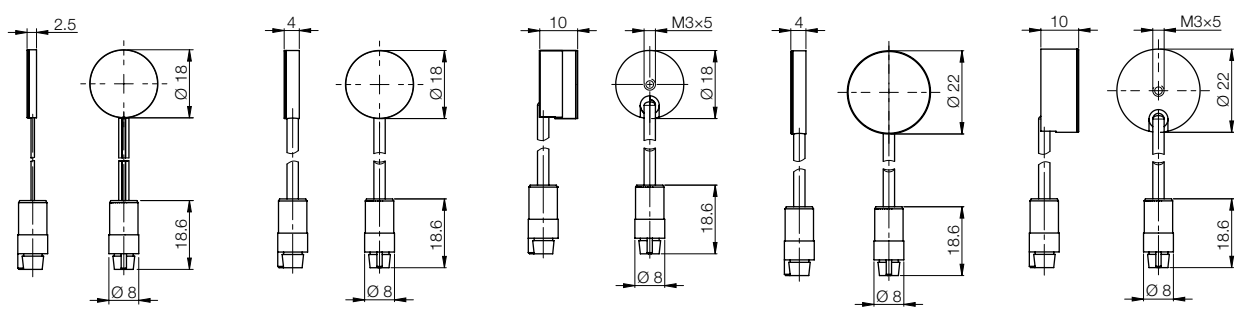
DC 3-wire · Disc types
 Ø 18 mm, Ø 22 mm



DC 3-wire
 Tubular housings
 Disc types
 Block-style
 Stick-on sensor

DC 4-wire
 Dynamic function diagnostics

Ø 18x2.5 mm	Ø 18x4 mm	Ø 18x10 mm	Ø 22x4 mm	Ø 22x10 mm
flush	flush	flush	flush	flush
0.1...3 mm	1...5 mm	1...5 mm	1...10 mm	1...10 mm
BCS001A	BCS001C	BCS001E	BCS001F	BCS001H
BCS D18T403-XXS30C-EP02-GZ01-002	BCS D18T404-XXS50C-EP02-GZ01-002	BCS D18T407-XXS50C-EP02-GZ01-002	BCS D22T405-XXS10C-EP02-GZ01-002	BCS D22T408-XXS10C-EP02-GZ01-002
4...8 V DC	4...8 V DC	4...8 V DC	4...8 V DC	4...8 V DC
75 V DC	75 V DC	75 V DC	75 V DC	75 V DC
-30...+70 °C	-30...+80 °C	-30...+80 °C	-30...+80 °C	-30...+80 °C
100 Hz	100 Hz	100 Hz	100 Hz	100 Hz
IP 66	IP 66	IP 66	IP 66	IP 66
V2A	V2A	V2A	V2A	V2A
PTFE	PTFE	PTFE	PTFE	PTFE
2 m cable PVC, 3x0.09 mm ²	2 m cable PUR, 3x0.14 mm ²	2 m cable PUR, 3x0.14 mm ²	2 m cable PUR, 3x0.14 mm ²	2 m cable PUR, 3x0.14 mm ²



Electrical devices, connectors and holders see Accessories section starting page 69



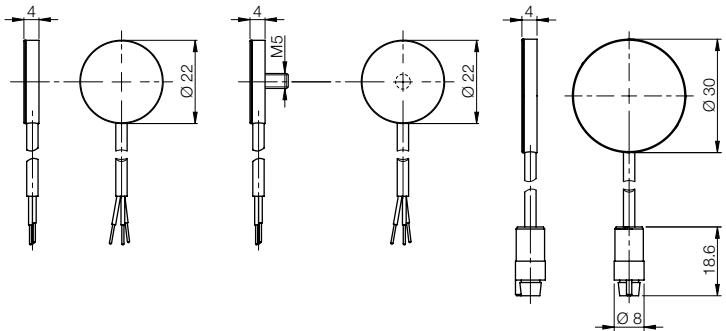
Object Detection

DC 3-wire · Disc types
 Ø 22 mm, Ø 30 mm



Housing size		Ø 22×4 mm	Ø 22×4 mm	Ø 30×4 mm
Mounting		flush	flush	flush
Rated switching distance s_n		6 mm ±10 %	6 mm ±10 %	1...15 mm
With sensor amplifier		Ordering code		BCS001J
		Part number		BCS D30T406-XXS15C-EP02-GZ01-002
PNP	Normally open	Ordering code	BCS003H	BCS00HK
		Part number	BCS D22T403-PSM60C-EP02	BCS D22T402-PSM60C-EP02
PNP	Normally closed	Ordering code		
		Part number		
NPN	Normally open	Ordering code	BCS003J	
		Part number	BCS D22T403-NSM60C-EP02	
NPN	Normally closed	Ordering code		
		Part number		
PNP/NPN and NO/NC selectable		Ordering code		
		Part number		
Supply voltage U_s		12...30 V DC	12...30 V DC	4...8 V DC
Voltage drop U_d at I_o		≤ 0.8 V	≤ 0.8 V	
Rated insulation voltage U_i		75 V DC	75 V DC	75 V DC
Output current max.		300 mA	300 mA	
No-load supply current I_o max.		≤ 10 mA	≤ 10 mA	
Reverse polarity/short circuit protected		yes/yes	yes/yes	
Ambient temperature range T_a		-30...+70 °C	-30...+70 °C	-30...+80 °C
Switching frequency f		100 Hz	100 Hz	100 Hz
Output function indicator				
Degree of protection per IEC 60529		IP 64	IP 64	IP 66
Material				
Housing		V2A	V2A	V2A
Sensing face		PTFE	PTFE	PTFE
Cover				
Wiring		2 m cable PUR, 3×0.14 mm ²	2 m cable PUR, 3×0.14 mm ²	2 m cable PUR, 3×0.14 mm ²

For sensor amplifiers see
 Accessories section
 Page 71



Object Detection

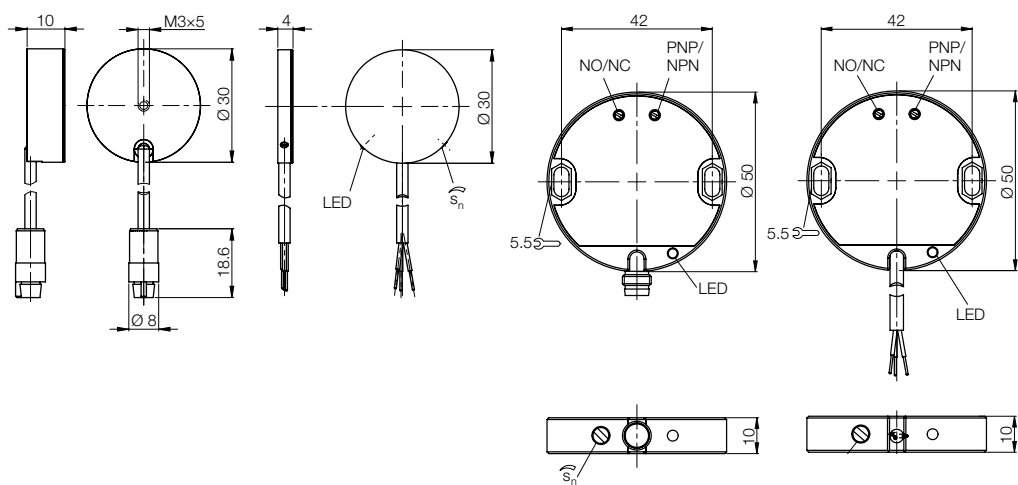
DC 3-wire · Disc types
 Ø 30 mm, Ø 50 mm



DC 3-wire
 Tubular housings
Disc types
 Block-style
 Stick-on sensor

DC 4-wire
 Dynamic function diagnostics

Ø 30x10 mm	Ø 30x4 mm	Ø 50x10 mm	Ø 50x10 mm	
flush	flush	flush	flush	
1...15 mm	2...15 mm	2...25 mm	2...25 mm	
BCS001K				
BCS D30T409-XXS15C-EP02-GZ01-002				
	BCS003A			
	BCS D30T401-PSC15C-EP02			
	BCS003C			
	BCS D30T401-POC15C-EP02			
	BCS003E			
	BCS D30T401-NSC15C-EP02			
	BCS003F			
	BCS D30T401-NOC15C-EP02			
		BCS003L	BCS003K	
		BCS D500003-YPC25C-S49G	BCS D500002-YPC25C-EV02	
4...8 V DC	10...35 V DC	10...30 V DC	10...30 V DC	
75 V DC	≤ 0.8 V	≤ 1.5 V	≤ 2 V	
	75 V DC	75 V DC	75 V DC	
	300 mA	150 mA	150 mA	
	≤ 10 mA	≤ 15 mA	≤ 15 mA	
	yes/yes	yes/yes	yes/yes	
-30...+80 °C	-30...+70 °C	-30...+60 °C	-30...+60 °C	
100 Hz	100 Hz	50 Hz	50 Hz	
	LED yellow	LED yellow	LED yellow	
IP 66	IP 67	IP 65	IP 67	
V2A	V2A	POM	POM	
PTFE	PTFE	POM	POM	
		POM	POM	
2 m cable PUR, 3x0.14 mm ²	2 m cable PUR, 3x0.14 mm ²	M8 connector, 3-pin	2 m cable PVC, 3x0.25 mm ²	



Electrical devices, connectors and holders see Accessories section starting **page 69**

