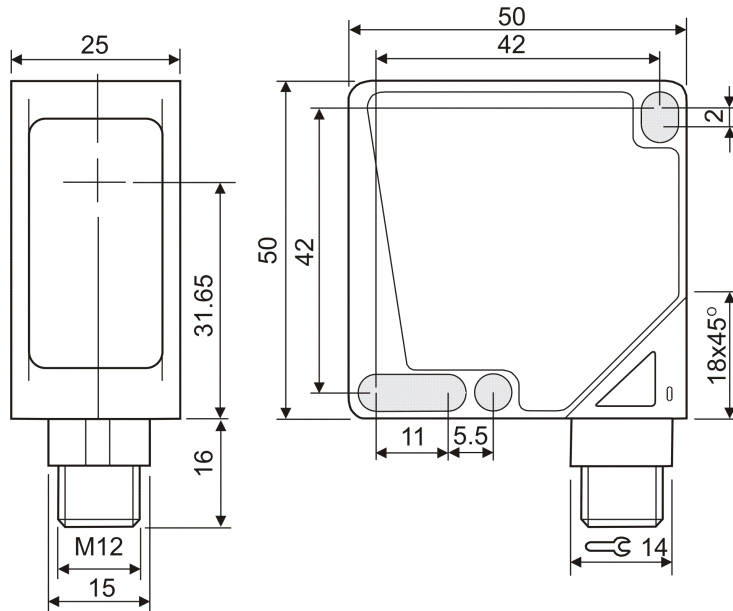


**BOL 27K-NS-01-S115**  
**Photoelectric Sensors**  
**Line Sensors**

NPN

**BALLUFF**  
*sensors worldwide*



**Electrical data:**

Connection	Connector M12, 8-pin
Rated supply frequency	DC
Utilization category	DC 13
Switching element function	light-on
Rated operational voltage	24 DC V
Off Time delay	≤ 3 ms
On Time delay	≤ 3 ms
Alarm output	PNP, light on
Output signal	4...20 mA
Switching frequency	≥130 Hz
Turn-off delay time	5, 10, 20, 30, 40 ms
Load current capacity max. (I <sub>e</sub> )	100 mA
Switching output	NPN
Current Consumption I <sub>o</sub> max. (No Load)	70 mA
Supply voltage min.	10 V
Supply voltage max.	30 V
Voltage ripple max.	max. 10% from UB
Voltage drop U <sub>d</sub> max. at I <sub>e</sub>	2 V

**Mechanical data:**

Number of wires	8
Sensing face material	Glass
Housing material	ABS
Linearity max.	1 %
Operating Distance Adjustment	Teach-in
Resolution max.	0.15 mm
Ambient temperature max.	+55 °C
Ambient temperature min.	-10 °C
weight	100 g

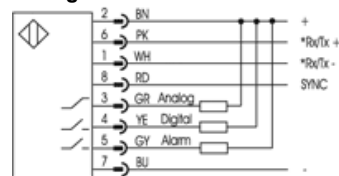
**General data:**

Supply voltage indication	yes, green LED
Function indication	yes, yellow LED
Short circuit protected	yes
Degree of protection IP	IP 67
Approval	CE, cULus
Type	Distance sensor

**Optical data:**

Emitter Light Source	Infrared
Wavelength of Emitted Light	875 nm
Beam width	150 mm
Reference material	Reflective tape
Permissible ambient light	10000 Lux

**Wiring:**



[www.balluff.com](http://www.balluff.com)

Balluff Europe: +49 7158 173 -0  
 Balluff USA: 1-800-54 3-83 90  
 Balluff Asia: +86 21-50 64 41 31

Online Productinformation  
 2009-01-19