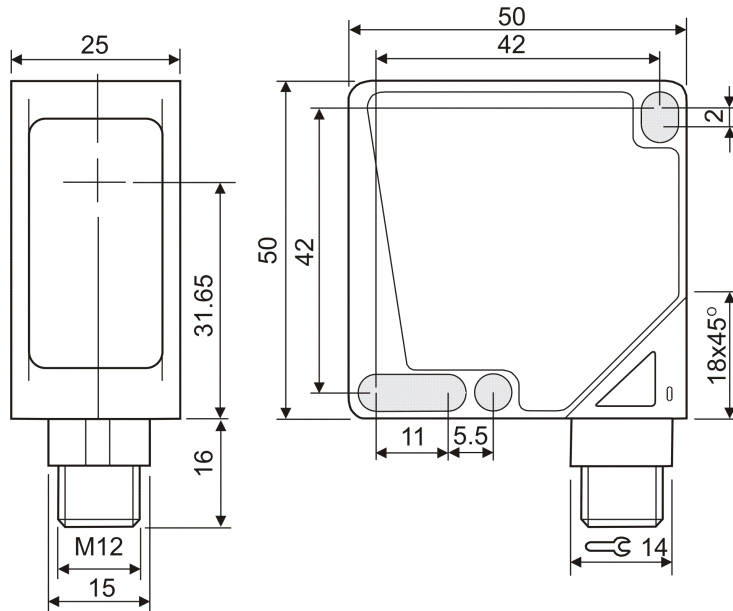


BOL 27K-PS-01-S115
Photoelectric Sensors
Line Sensors

PNP

BALLUFF
sensors worldwide



Electrical data:

Connection	Connector M12, 8-pin
Rated supply frequency	DC
Utilization category	DC 13
Switching element function	light-on
Rated operational voltage	24 DC V
Off Time delay	≤ 3 ms
On Time delay	≤ 3 ms
Alarm output	PNP, light on
Output signal	4...20 mA
Switching frequency	≥130 Hz
Turn-off delay time	5, 10, 20, 30, 40 ms
Load current capacity max. (Ie)	100 mA
Switching output	PNP
Current Consumption I _o max. (No Load)	70 mA
Supply voltage min.	10 V
Supply voltage max.	30 V
Voltage ripple max.	max. 10% from UB
Voltage drop U _d max. at I _e	2 V

Mechanical data:

Number of wires	8
Sensing face material	Glass
Housing material	ABS
Linearity max.	1 %
Operating Distance Adjustment	Teach-in
Resolution max.	0.15 mm
Ambient temperature max.	+55 °C
Ambient temperature min.	-10 °C
weight	100 g

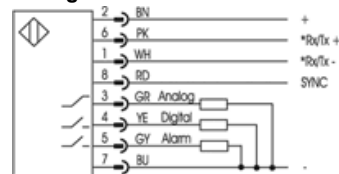
General data:

Supply voltage indication	yes, green LED
Function indication	yes, yellow LED
Short circuit protected	yes
Degree of protection IP	IP 67
Approval	CE, cULus
Type	Distance sensor

Optical data:

Emitter Light Source	Infrared
Wavelength of Emitted Light	875 nm
Beam width	150 mm
Reference material	Reflective tape
Permissible ambient light	10000 Lux

Wiring:



www.balluff.com

Balluff Europe: +49 7158 173 -0
 Balluff USA: 1-800-54 3-83 90
 Balluff Asia: +86 21-50 64 41 31

Online Productinformation
 2009-01-19