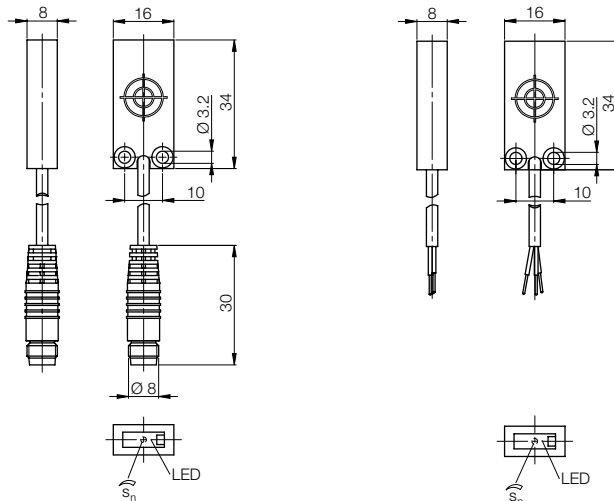
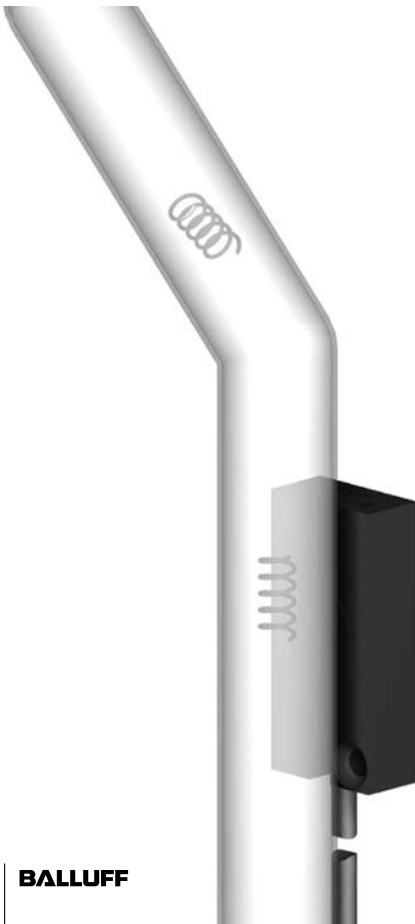


# Object Detection

DC 3-wire · Block-style housings  
Micro-Box 16×34×8 mm



| Housing size                             |                 | 16×34×8 mm Micro-Box   |                                | 16×34×8 mm Micro-Box                  |                         |
|--|-----------------|--|--------------------------------|---------------------------------------|-------------------------|
| Mounting                                 |                 | flush  |                                | flush                                 |                         |
| Rated switching distance $s_n$           |                 | 1...8 mm   |                                | 1...8 mm                              |                         |
| PNP                                      | Normally open   | <b>Ordering code</b>   | <b>BCS0055</b>                 | <b>Ordering code</b>                  | <b>BCS0051</b>          |
|  |                 | Part number  | BCS R08RR01-PSM80C-EP00,2-GS49 | Part number                           | BCS R08RR01-PSM80C-EP02 |
| PNP                                      | Normally closed | <b>Ordering code</b>   | <b>BCS0056</b>                 | <b>Ordering code</b>                  | <b>BCS0052</b>          |
|  |                 | Part number  | BCS R08RR01-POM80C-EP00,2-GS49 | Part number                           | BCS R08RR01-POM80C-EP02 |
| NPN                                      | Normally open   | <b>Ordering code</b>   | <b>BCS0057</b>                 | <b>Ordering code</b>                  | <b>BCS0053</b>          |
|  |                 | Part number  | BCS R08RR01-NSM80C-EP00,2-GS49 | Part number                           | BCS R08RR01-NSM80C-EP02 |
| NPN                                      | Normally closed | <b>Ordering code</b>   | <b>BCS0058</b>                 | <b>Ordering code</b>                  | <b>BCS0054</b>          |
|  |                 | Part number  | BCS R08RR01-NOM80C-EP00,2-GS49 | Part number                           | BCS R08RR01-NOM80C-EP02 |
| Supply voltage $U_s$                     |                 | 12...30 V DC   |                                | 12...30 V DC                          |                         |
| Voltage drop $U_d$ at $I_o$              |                 | ≤ 1.5 V  |                                | ≤ 1.5 V                               |                         |
| Rated insulation voltage $U_i$           |                 | 75 V DC  |                                | 75 V DC                               |                         |
| Output current max.                      |                 | 50 mA  |                                | 50 mA                                 |                         |
| No-load supply current $I_o$ max.        |                 | ≤ 10 mA  |                                | ≤ 10 mA                               |                         |
| Reverse polarity/short circuit protected |                 | yes/yes  |                                | yes/yes                               |                         |
| Ambient temperature range $T_a$          |                 | -30...+70 °C   |                                | -30...+70 °C                          |                         |
| Switching frequency $f$                  |                 | 100 Hz   |                                | 100 Hz                                |                         |
| Output function indicator                |                 | LED yellow   |                                | LED yellow                            |                         |
| Degree of protection per IEC 60529       |                 | IP 67  |                                | IP 67                                 |                         |
| Material                                 | Housing         | PP   |                                | PP                                    |                         |
|  | Sensing face    | PP   |                                | PP                                    |                         |
|  | Cover           | PP   |                                | PP                                    |                         |
| Wiring                                   |                 | 0.2 m cable PUR, 3×0.14 mm <sup>2</sup> with M8 connector, 3-pin |                                | 2 m cable PUR, 3×0.14 mm <sup>2</sup> |                         |



Mounting frame included in scope of delivery

Mounting frame included in scope of delivery

# Object Detection

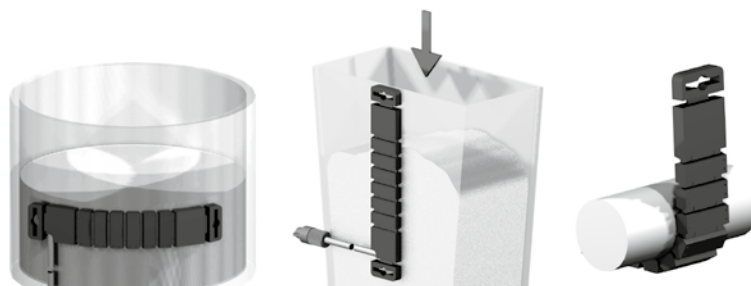
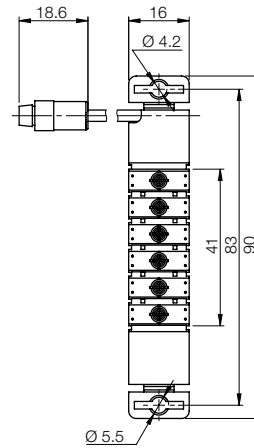
DC 3-wire · Stick-on sensor  
90×16×4 mm



**DC 3-wire**  
Tubular housings  
Disc types  
**Block-style**  
**Stick-on sensor**  
  
**DC 4-wire**  
Dynamic function diagnostics

|   |  |                                  |
|---|--|----------------------------------|
| Housing size                                      | <b>90×16×4 mm</b>                        |                                  |
| Mounting  | flush                                    |                                  |
| Rated switching distance $s_n$                    | <b>0...10 mm</b>                         |                                  |
| With sensor amplifier                             | <b>Ordering code</b>                     | <b>BCS000Y</b>                   |
|   | Part number                              | BCS F01CP01-XXS10C-EP02-GZ01-002 |
| Supply voltage $U_s$                              | 4...8 V DC                               |                                  |
| Rated insulation voltage $U_i$ (protection class) | 75 V DC                                  |                                  |
| Ambient temperature range $T_a$                   | 0...+60 °C                               |                                  |
| Switching frequency $f$                           | 100 Hz                                   |                                  |
| Degree of protection per IEC 60529                | IP 60                                    |                                  |
| Material  | Housing                                  | PC/PUR                           |
|   | Sensing face                             | PUR                              |
| Wiring  | 2 m cable PUR,<br>3×0.14 mm <sup>2</sup> |                                  |

For sensor amplifiers see  
Accessories section  
Page 71



Electrical devices,  
connectors and  
holders see  
Accessories  
section starting  
**page 69**

