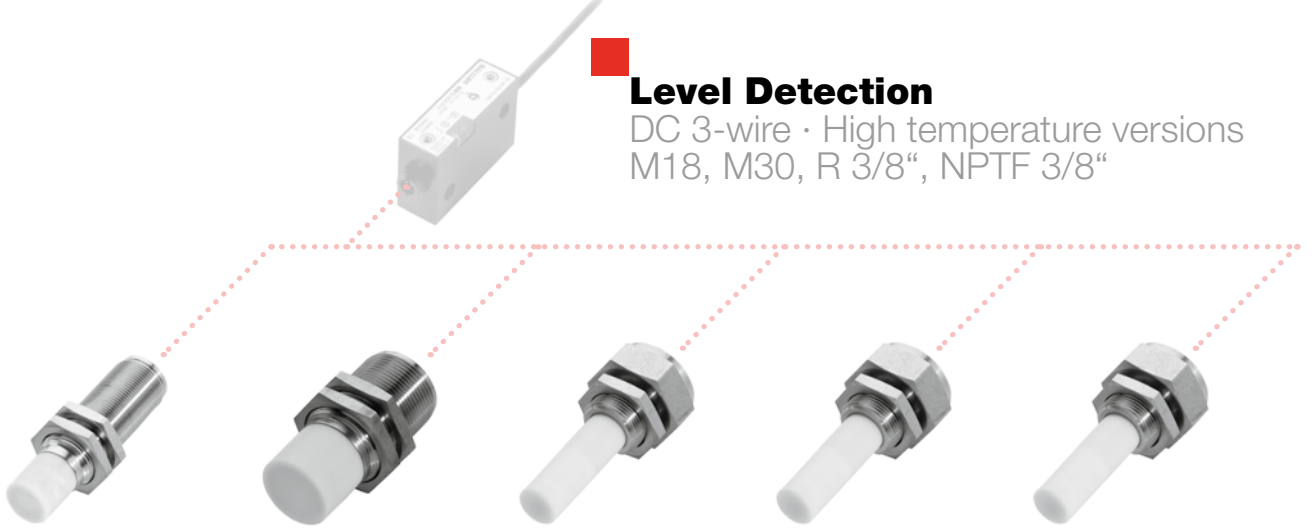


Level Detection

DC 3-wire · High temperature versions
M18, M30, R 3/8", NPTF 3/8"



M18x1	M30x1.5	M18x1	R 3/8"	NPTF 3/8"
non-flush	non-flush	non-flush	non-flush	non-flush
1...10 mm	1...20 mm	Level adjustable	Level adjustable	Level adjustable
BCS00A1	BCS00A2	BCS00A3	BCS00A4	BCS00A5
BCS M18T4H1-XXS10H-SZ02-T08	BCS M30T4G1-XXS20H-SZ02-T08	BCS S10T401-XXSFNC-SZ02-T07	BCS S10T402-XXSFNC-SZ02-T07	BCS S10T403-XXSFNC-SZ02-T07
4...8 V DC	4...8 V DC	4...8 V DC	4...8 V DC	4...8 V DC
-180...+250 °C	-180...+250 °C	-10...+180 °C	-10...+180 °C	-10...+180 °C
IP 54	IP 54	IP 54 (Sensing face: IP 68 at max. 6 bar)	IP 54 (Sensing face: IP 68 at max. 6 bar)	IP 54 (Sensing face: IP 68 at max. 6 bar)
V2A	V2A	V2A	V2A	V2A
PTFE	PTFE	PTFE	PTFE	PTFE
PTFE/MS-Cr	PTFE/MS-Cr	PTFE/MS-Cr	PTFE/MS-Cr	PTFE/MS-Cr
Triax sensor cable	Triax sensor cable	Triax sensor cable	Triax sensor cable	Triax sensor cable



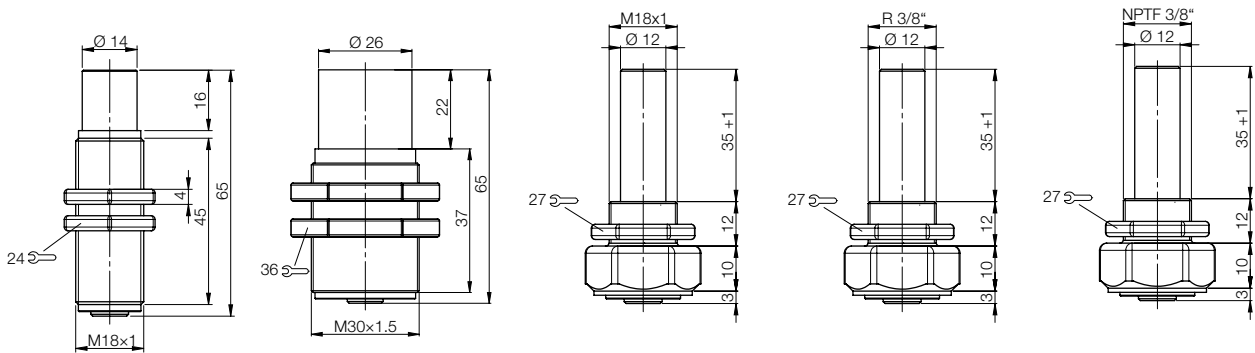
DC 3-wire

Tubular housings

SMARTLEVEL technology

High temperature rated styles

Leak sensor



AC/DC 2-wire

Tubular housings

Electrical devices, connectors and holders see Accessories section starting **page 69**

