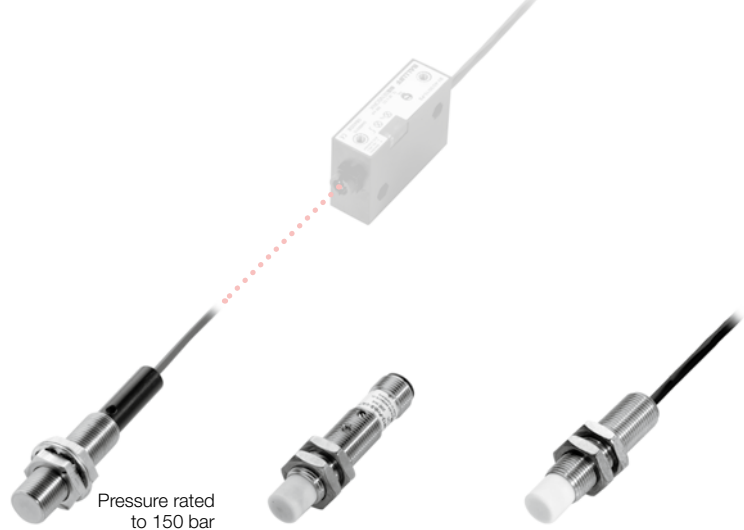


Level Detection

DC 3-wire · Tubular housings
M12



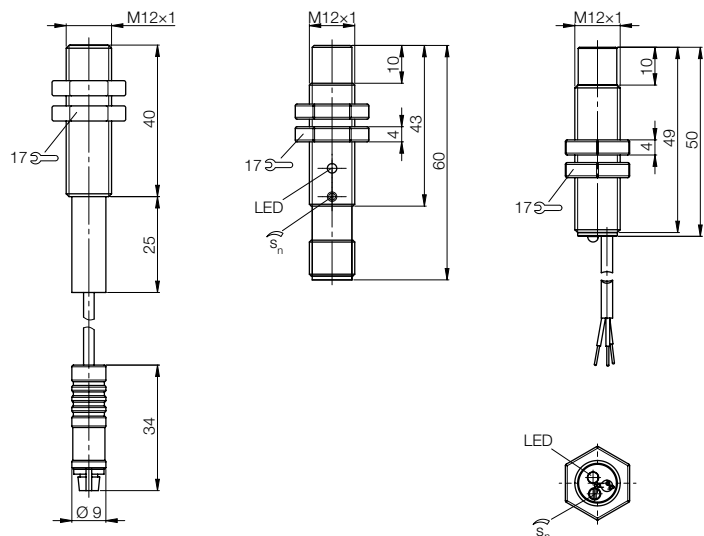
Housing size	M12×1	M12×1	M12×1
Mounting	flush	non-flush	non-flush
Rated switching distance s_n	1 mm	1...8 mm	1...8 mm
With sensor amplifier	Ordering code Part number	BCS00CR BCS M12EG2-XS10B-BT01-GZ01-501	
PNP Normally open	Ordering code Part number	BCS0062 BCS M12T4D2-PSM80G-S04G	BCS005F BCS M12T4G1-PSM80G-EP02
PNP Normally closed	Ordering code Part number	BCS0063 BCS M12T4D2-POM80G-S04G	BCS005H BCS M12T4G1-POM80G-EP02
NPN Normally open	Ordering code Part number	BCS0064 BCS M12T4D2-NSM80G-S04G	BCS005J BCS M12T4G1-NSM80G-EP02
NPN Normally closed	Ordering code Part number	BCS0065 BCS M12T4D2-NOM80G-S04G	BCS005K BCS M12T4G1-NOM80G-EP02
Supply voltage U_s	4...8 V DC	12...35 V DC	12...35 V DC
Voltage drop U_a at I_o		≤ 0.8 V	≤ 0.8 V
Rated insulation voltage U_i	75 V DC	75 V DC	75 V DC
Output current max.		200 mA	200 mA
No-load supply current I_o max.		≤ 10 mA	≤ 10 mA
Reverse polarity/short circuit protected	no/yes	yes/yes	yes/yes
Ambient temperature range T_a	0...+70 °C	-30...+70 °C	-30...+70 °C
Switching frequency f		100 Hz	100 Hz
Output function indicator		LED yellow	LED yellow
Degree of protection per IEC 60529	IP 67	IP 65	IP 65
Material	Housing: V2A Sensing face: PTFE Cover: POM	Housing: V2A Sensing face: PTFE Cover: PA	Housing: V2A Sensing face: PTFE Cover: POM
Wiring	Triax sensor cable, see page 64	M12 connector, 4-pin, A-coded	2 m cable PUR, 3×0.14 mm ²

For sensor amplifiers see
Accessories section
Page 71



For direct installation in containers

The non-flush mount sensors for level detection M12...M30 in plastic or PTFE housing provide IP 68 protection (at approx. 5 bar) at the sensing face. Sensors in stainless steel housing meet IP 67 at the sensing face.



Level Detection

DC 3-wire · Tubular housings
M12



Especially
EMC resistant,
above standard

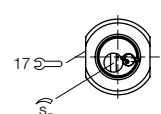
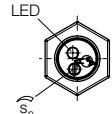
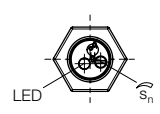
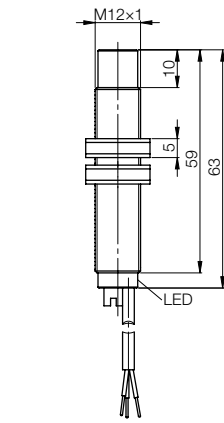
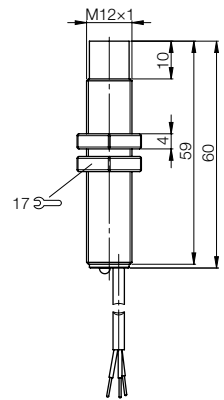
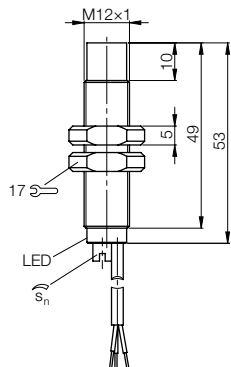
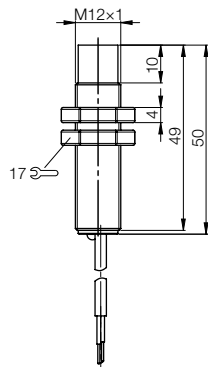
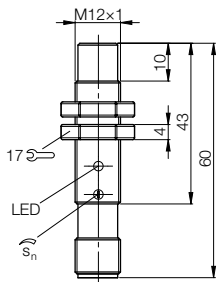


Especially
EMC resistant,
above standard

M12x1 non-flush 1...8 mm	M12x1 non-flush 1...8 mm	M12x1 non-flush 1...8 mm	M12x1 non-flush 1...6 mm	M12x1 non-flush 1...6 mm
BCS005Y BCS M12VWD2-PSM80G-S04G	BCS0059 BCS M12VWG1-PSM80G-EP02	BCS006Z BCS M12TTG1-PSM80G-ET02	BCS006T BCS M12VW1-PSM60G-EP02-E	BCS009J BCS M12TT11-PSM60G-ET02-E
BCS005Z BCS M12WD2-POM80G-S04G	BCS005A BCS M12VWG1-POM80G-EP02	BCS0070 BCS M12TTG1-POM80G-ET02	BCS006U BCS M12VW1-POM60G-EP02-E	BCS009K BCS M12TT11-POM60G-ET02-E
BCS0060 BCS M12WD2-NSM80G-S04G	BCS005C BCS M12VWG1-NSM80G-EP02	BCS0071 BCS M12TTG1-NSM80G-ET02	BCS006W BCS M12VW1-NSM60G-EP02-E	BCS009L BCS M12TT11-NSM60G-ET02-E
BCS0061 BCS M12WD2-NOM80G-S04G	BCS005E BCS M12VWG1-NOM80G-EP02	BCS0072 BCS M12TTG1-NOM80G-ET02	BCS006Y BCS M12VW1-NOM60G-EP02-E	BCS009M BCS M12TT11-NOM60G-ET02-E
12...35 V DC	12...35 V DC	12...35 V DC	13...35 V DC	12...35 V DC
≤ 0.8 V	≤ 0.8 V	≤ 0.8 V	≤ 0.8 V	≤ 0.8 V
75 V DC	75 V DC	75 V DC	75 V DC	75 V DC
200 mA	200 mA	200 mA	200 mA	200 mA
≤ 10 mA	≤ 10 mA	≤ 10 mA	≤ 15 mA	≤ 10 mA
yes/yes	yes/yes	yes/yes	yes/yes	yes/yes
-30...+60 °C	-30...+60 °C	-30...+70 °C	-30...+60 °C	-30...+60 °C
100 Hz	100 Hz	100 Hz	25 Hz	25 Hz
LED yellow	LED yellow	LED red	LED yellow	LED red
IP 65	IP 65	IP 65	IP 65	IP 65
PVC	PVC	PTFE	PVC	PTFE
PVC	PVC	PTFE	PVC	PTFE
PA	PVC	PTFE	PVC	PTFE
M12 connector, 4-pin, A-coded	2 m cable PUR, 3×0.14 mm ²	2 m cable PTFE, 3×0.2 mm ²	2 m cable PUR, 3×0.14 mm ²	2 m cable PTFE, 3×0.2 mm ²


DC 3-wire
Tubular housings
SMART LEVEL
technology
High temperature
rated styles
Leak sensor

AC/DC 2-wire
Tubular
housings



Electrical
devices,
connectors and
holders see
Accessories
section starting
page 69



Level Detection

DC 3-wire · Tubular housings
M18

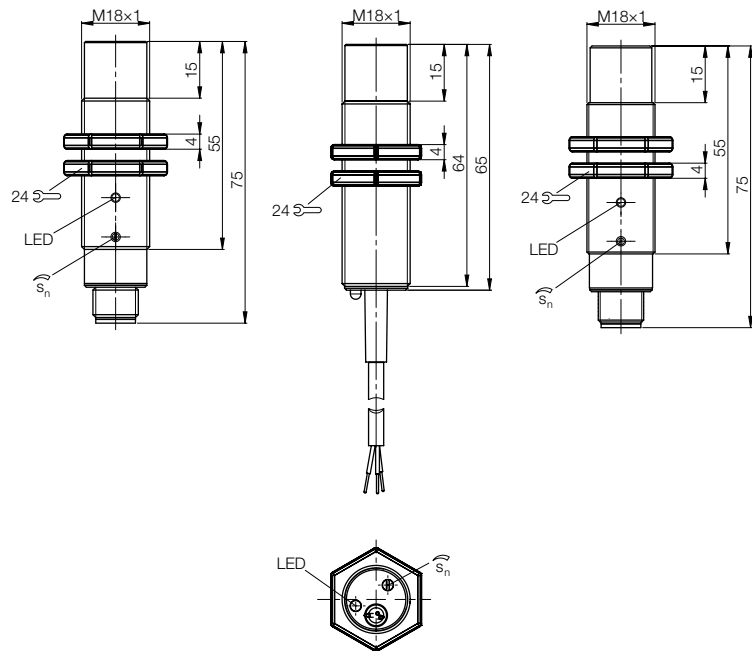


Housing size	M18x1	M18x1	M18x1
Mounting	non-flush	non-flush	non-flush
Rated switching distance s_n	2...15 mm	2...15 mm	2...15 mm
PNP Normally open	Ordering code	BCS006A	BCS005R
	Part number	BCS M18T4G2-PSC15G-S04G	BCS M18T4I1-PSC15G-DV02
PNP Normally closed	Ordering code	BCS006C	BCS005T
	Part number	BCS M18T4G2-POC15G-S04G	BCS M18T4I1-POC15G-DV02
NPN Normally open	Ordering code	BCS006E	BCS005U
	Part number	BCS M18T4G2-NSC15G-S04G	BCS M18T4I1-NSC15G-DV02
NPN Normally closed	Ordering code	BCS006F	BCS005W
	Part number	BCS M18T4G2-NOC15G-S04G	BCS M18T4I1-NOC15G-DV02
Supply voltage U_s	10...35 V DC	10...35 V DC	10...35 V DC
Voltage drop U_d at I_o	≤ 1.5 V	≤ 1.5 V	≤ 1.5 V
Rated insulation voltage U_i (protection class)	75 V DC	75 V DC	75 V DC
Output current max.	300 mA	300 mA	300 mA
No-load supply current I_o max.	≤ 10 mA	≤ 10 mA	≤ 10 mA
Reverse polarity/short circuit protected	yes/yes	yes/yes	yes/yes
Ambient temperature range T_a	-30...+70 °C	-30...+70 °C	-30...+60 °C
Switching frequency f	100 Hz	100 Hz	100 Hz
Output function indicator	LED yellow	LED yellow	LED yellow
Degree of protection per IEC 60529	IP 67	IP 67	IP 67
Material	Housing	V2A	V2A
	Sensing face	PTFE	PTFE
	Cover	PA	POM
Wiring	M12 connector, 4-pin, A-coded	2 m cable PVC, 3x0.25 mm ²	M12 connector, 4-pin, A-coded



For direct installation in containers

The non-flush mount sensors for level detection M12...M30 in plastic or PTFE housing provide IP 68 protection (at approx. 5 bar) at the sensing face. Sensors in stainless steel housing meet IP 67 at the sensing face.



Level Detection

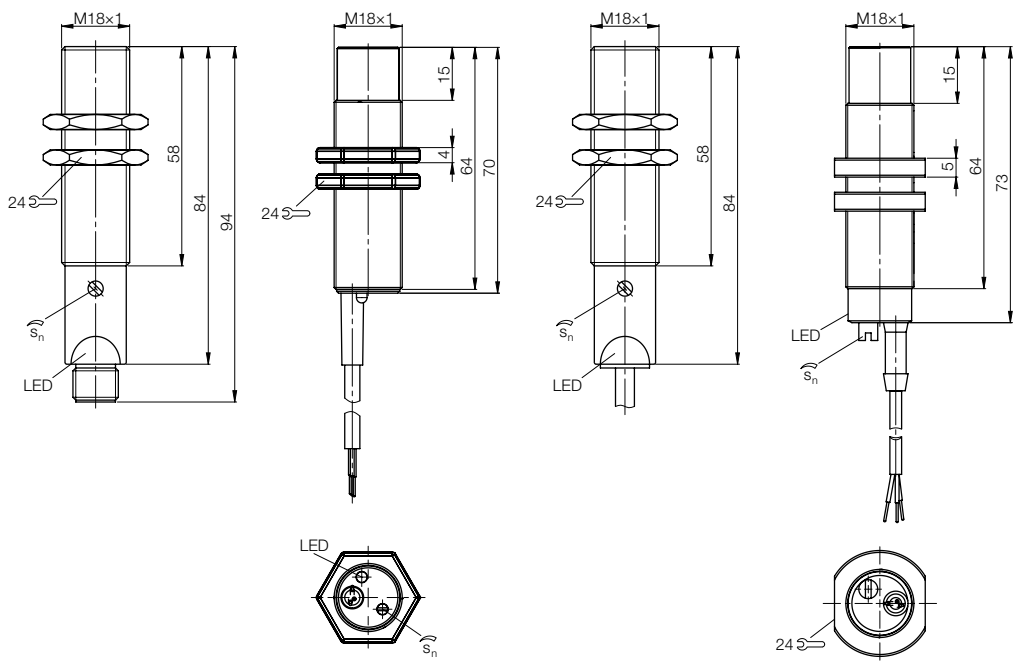
DC 3-wire · Tubular housings
M18



M18x1	M18x1	M18x1	M18x1
non-flush	non-flush	non-flush	non-flush
8 mm	2...15 mm	8 mm	2...15 mm
BCS000H	BCS005L	BCS000E	BCS0073
BCS M18KM3-PSC80G-S04G	BCS M18VM1-PSC15G-DV02	BCS M18KM3-PSC80G-BV02	BCS M18TTI2-PSC15G-AT02
BCS000C	BCS005M	BCS000A	BCS0074
BCS M18KM3-POC80G-S04G-001	BCS M18VM1-POC15G-DV02	BCS M18KM3-POC80G-BV02	BCS M18TTI2-POC15G-AT02
	BCS005N	BCS0009	BCS0075
	BCS M18VM1-NSC15G-DV02	BCS M18KM3-NSC80G-BV02	BCS M18TTI2-NSC15G-AT02
	BCS005P	BCS0008	BCS0076
	BCS M18VM1-NOC15G-DV02	BCS M18KM3-NOC80G-BV02	BCS M18TTI2-NOC15G-AT02
10...36 V DC	10...35 V DC	10...36 V DC	10...35 V DC
≤ 2.5 V	≤ 1.5 V	≤ 2.5 V	≤ 1.5 V
250 V AC (□)	75 V DC	250 V AC (□)	75 V DC
250 mA	300 mA	250 mA	300 mA
≤ 15 mA	≤ 10 mA	≤ 15 mA	≤ 10 mA
yes/yes	yes/yes	yes/yes	yes/yes
-25...+80 °C	-30...+60 °C	-25...+80 °C	-30...+70 °C
50 Hz	100 Hz	50 Hz	100 Hz
LED yellow	LED yellow	LED yellow	LED red
IP 67	IP 67	IP 67	IP 67
PBT	PVC	PBT	PTFE
PBT	PVC	PBT	PTFE
PBT	PBT	PBT	PTFE
M12 connector, 4-pin, A-coded	2 m cable PVC, 3×0.25 mm ²	2 m cable PVC, 3×0.34 mm	2 m cable PTFE, 3×0.2 mm ²


DC 3-wire
Tubular housings
SMART LEVEL
technology
High temperature
rated styles
Leak sensor

AC/DC 2-wire
Tubular
housings



Electrical
devices,
connectors and
holders see
Accessories
section starting
page 69



Level Detection

DC 3-wire · Tubular housings
M30

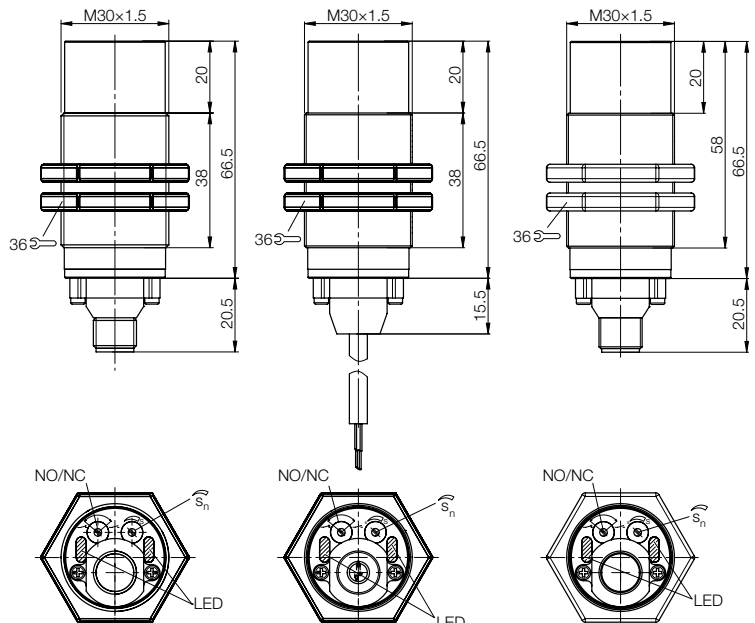


Housing size		M30×1.5	M30×1.5	M30×1.5
Mounting		non-flush	non-flush	non-flush
Rated switching distance s_n		1...30 mm	2...30 mm	1...30 mm
PNP Normally open	Ordering code			
	Part number			
PNP Normally closed	Ordering code			
	Part number			
PNP NO/NC selectable	Ordering code	BCS007L	BCS007J	BCS007F
	Part number	BCS M30T4M2-PPC30G-S04G	BCS M30T4M3-PPC30G-EP02	BCS M30BBM2-PPC30G-S04G
NPN Normally open	Ordering code			
	Part number			
NPN Normally closed	Ordering code			
	Part number			
NPN NO/NC selectable	Ordering code	BCS007M	BCS007K	BCS007H
	Part number	BCS M30T4M2-NPC30G-S04G	BCS M30T4M3-NPC30G-EP02	BCS M30BBM2-NPC30G-S04G
Supply voltage U_s		10...35 V DC	10...35 V DC	10...35 V DC
Voltage drop U_d at I_o		≤ 1.8 V	≤ 1.8 V	≤ 1.8 V
Rated insulation voltage U_i (protection class)		75 V DC	75 V DC	75 V DC
Output current max.		300 mA	300 mA	300 mA
No-load supply current I_o max.		≤ 15 mA	≤ 15 mA	≤ 15 mA
Reverse polarity/short circuit protected		yes/yes	yes/yes	yes/yes
Ambient temperature range T_a		-30...+70 °C	-30...+70 °C	-30...+70 °C
Switching frequency f		100 Hz	100 Hz	100 Hz
Power indicator		LED green	LED green	LED green
Output function indicator		LED yellow	LED yellow	LED yellow
Degree of protection per IEC 60529		IP 64	IP 64	IP 64
Material	Housing	V2A	V2A	PBT
	Sensing face	PTFE	PTFE	PBT
	Cover	PBT/PE	PBT/PE	PBT/PE
Wiring		M12 connector, 4-pin, A-coded	2 m cable PUR 3×0.34 mm ²	M12 connector, 4-pin, A-coded



For direct installation in containers

The non-flush mount sensors for level detection M12...M30 in plastic or PTFE housing provide IP 68 protection (at approx. 5 bar) at the sensing face. Sensors in stainless steel housing meet IP 67 at the sensing face.



Level Detection

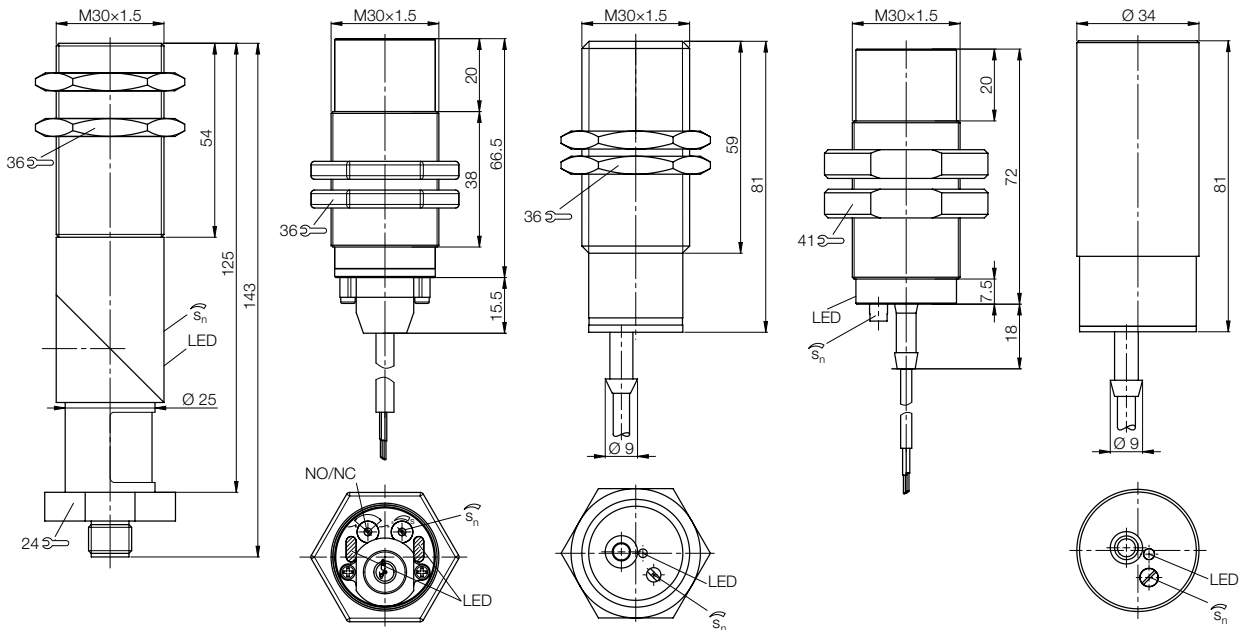
DC 3-wire · Tubular housings
M30, Ø 34 mm



M30x1.5 non-flush 15 mm	M30x1.5 non-flush 1...30 mm	M30x1.5 non-flush 15 mm	M30x1.5 non-flush 2...30 mm	Ø 34 mm non-flush 20 mm
		BCS000R BCS M30KN2-PSC18G-AV02	BCS0077 BCS M30TTH2-PSC30G-AT02	BCS0005 BCS G34KN2-PSC24G-AV02
		BCS000P BCS M30KN2-POC15G-AV02	BCS0078 BCS M30TTH2-POC30G-AT02	BCS0004 BCS G34KN2-POC20G-AV02
BCS000L BCS M30KM7-PPH15G-S04U	BCS007C BCS M30BBM3-PPC30G-EP02			
		BCS000N BCS M30KN2-NSC18G-AV02	BCS0079 BCS M30TTH2-NSC30G-AT02	BCS0003 BCS G34KN2-NSC24G-AV02
		BCS000M BCS M30KN2-NOC15G-AV02	BCS007A BCS M30TTH2-NOC30G-AT02	BCS0002 BCS G34KN2-NOC20G-AV02
	BCS007E BCS M30BBM3-NPC30G-EP02			
10...36 V DC ≤ 2.5 V 250 V AC (□) 250 mA ≤ 16 mA yes/yes -25...+70 °C 40 Hz	10...35 V DC ≤ 1.8 V 75 V DC 300 mA ≤ 15 mA yes/yes -30...+70 °C 100 Hz	10...36 V DC ≤ 2.5 V 250 V AC (□) 250 mA ≤ 15 mA yes/yes -25...+70 °C 40 Hz	10...35 V DC ≤ 1.8 V 75 V DC 300 mA ≤ 10 mA yes/yes -30...+70 °C 100 Hz	10...36 V DC ≤ 2.5 V 250 V AC (□) 250 mA ≤ 13 mA yes/yes -25...+70 °C 40 Hz
LED yellow IP 65	LED green LED yellow IP 64	LED yellow IP 65	LED red IP 67	LED yellow IP 65
PBT	PBT	PBT	PTFE	PBT
PBT	PBT	PBT	PTFE	PBT
PC	PBT/PE	PBT	PTFE	PBT
M12 connector, 4-pin, A-coded	2 m cable PUR 3×0.34 mm ²	2 m cable PVC, 3×0.5 mm	2 m cable PTFE, 3×0.2 mm ²	2 m cable PVC, 3×0.5 mm

DC 3-wire
Tubular housings
SMART LEVEL
technology
High temperature
rated styles
Leak sensor

AC/DC 2-wire
Tubular
housings



Mounting cuff included
in scope of delivery

Electrical
devices,
connectors and
holders see
Accessories
section starting
page 69

