

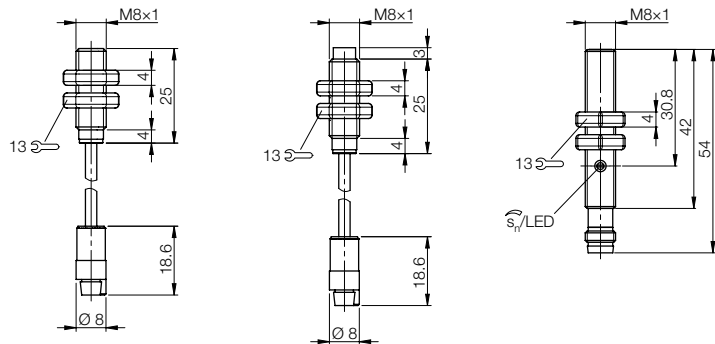
Object Detection

DC 3-wire · Tubular housings
M8



| | | | | | |
|--|----------------------|--|--|-------------------------|--|
| Housing size | | M8 x 1 | M8 x 1 | M8 x 1 | |
| Mounting | | flush | non-flush | flush | |
| Rated switching distance s_n | | 0.1...1.5 mm | 0.1...3 mm | 0.1...1.5 mm | |
| With sensor amplifier | Ordering code | BCS0014 | BCS0015 | | |
| | Part number | BCS M08T4C-XXS15C-EP02-GZ01-002 | BCS M08T4C1-XXS30G-EP02-GZ01-002 | | |
| PNP Normally open | Ordering code | | | BCS002A | |
| | Part number | | | BCS M08T4E2-PSM15C-S49G | |
| PNP Normally closed | Ordering code | | | BCS002C | |
| | Part number | | | BCS M08T4E2-POM15C-S49G | |
| NPN Normally open | Ordering code | | | BCS002E | |
| | Part number | | | BCS M08T4E2-NSM15C-S49G | |
| NPN Normally closed | Ordering code | | | BCS002F | |
| | Part number | | | BCS M08T4E2-NOM15C-S49G | |
| Supply voltage U_s | | 4...8 V DC | 4...8 V DC | 11...30 V DC | |
| Voltage drop U_a at I_o | | | | ≤ 2 V | |
| Rated insulation voltage U_i | | 75 V DC | 75 V DC | 75 V DC | |
| Output current max. | | | | 50 mA | |
| No-load supply current I_o max. | | | | ≤ 10 mA | |
| Reverse polarity/short circuit protected | | | | yes/yes | |
| Ambient temperature range T_a | | -30...+80 °C | -30...+80 °C | -10...+70 °C | |
| Switching frequency f | | 100 Hz | 100 Hz | 100 Hz | |
| Output function indicator | | | | LED yellow | |
| Degree of protection per IEC 60529 | | IP 67 | IP 67 | IP 65 | |
| Material | Housing | V2A | V2A | V2A | |
| | Sensing face | PTFE | PTFE | PTFE | |
| | Cover | POM | POM | V2A | |
| Wiring | | 2 m cable PUR, 3x0.14 mm ² | 2 m cable PUR, 3x0.14 mm ² | M8 connector, 3-pin | |

For sensor amplifiers see
Accessories section
Page 71



Object Detection

DC 3-wire · Tubular housings
M8, Ø 10 mm



DC 3-wire

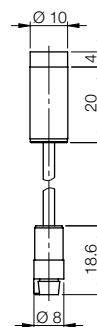
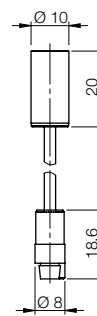
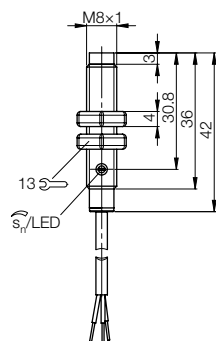
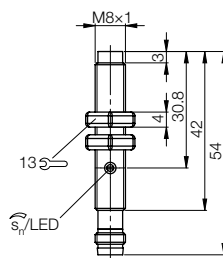
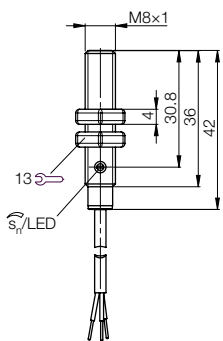
Tubular housings

Disc types
Block-style
Stick-on sensor

DC 4-wire

Dynamic function diagnostics

| M8 x 1 flush 0.1...1.5 mm | M8 x 1 non-flush 0.1...3 mm | M8 x 1 non-flush 0.1...3 mm | Ø 10 mm flush 0.1...4 mm BCS0016 BCS G10T4B-XXS40C-EP02-GZ01-002 | Ø 10 mm non-flush 1...8 mm BCS0017 BCS G10T4C-XXS80G-EP02-GZ01-002 |
|--|--|--|---|---|
| BCS0026 BCS M08T4E1-PSM15C-EP02 | BCS002M BCS M08T4E2-PSM30G-S49G | BCS002H BCS M08T4E1-PSM30G-EP02 | | |
| BCS0027 BCS M08T4E1-POM15C-EP02 | BCS002N BCS M08T4E2-POM30G-S49G | BCS002J BCS M08T4E1-POM30G-EP02 | | |
| BCS0028 BCS M08T4E1-NSM15C-EP02 | BCS002P BCS M08T4E2-NSM30G-S49G | BCS002K BCS M08T4E1-NSM30G-EP02 | | |
| BCS0029 BCS M08T4E1-NOM15C-EP02 | BCS002R BCS M08T4E2-NOM30G-S49G | BCS002L BCS M08T4E1-NOM30G-EP02 | | |
| 11...30 V DC ≤ 2 V 75 V DC 50 mA ≤ 10 mA yes/yes -10...+70 °C 100 Hz LED yellow IP 65 V2A PTFE POM 2 m cable PUR, 3x0.14 mm ² | 11...30 V DC ≤ 2 V 75 V DC 50 mA ≤ 10 mA yes/yes -10...+70 °C 100 Hz LED yellow IP 65 V2A PTFE V2A M8 connector, 3-pin | 11...30 V DC ≤ 2 V 75 V DC 50 mA ≤ 10 mA yes/yes -10...+70 °C 100 Hz LED yellow IP 65 V2A PTFE POM 2 m cable PUR, 3x0.14 mm ² | 4...8 V DC 75 V DC | 4...8 V DC 75 V DC |



Electrical devices, connectors and holders see Accessories section starting page 69

