

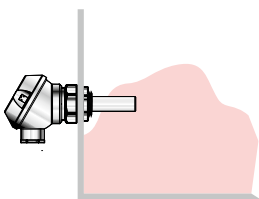
# Level Detection

DC 3-wire · Tubular housings  
Micro-Level NPT 1/4"  
M18



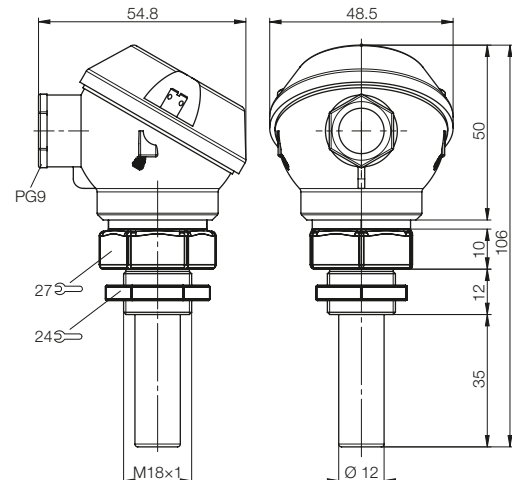
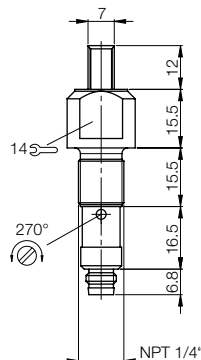
Pressure rated to 10 bar

Housing size		<b>NPT 1/4" Micro-Level</b>	<b>M18x1</b>
Mounting		non-flush	non-flush
Rated switching distance $s_n$		<b>Level adjustable</b>	<b>Level adjustable</b>
PNP Normally open	<b>Ordering code</b>		<b>BCS006H</b>
	Part number		BCS S01T401-PSCFNG-KM16-T02
PNP Normally closed	<b>Ordering code</b>		<b>BCS006J</b>
	Part number		BCS S01T401-POCFNG-KM16-T02
NPN Normally open	<b>Ordering code</b>		<b>BCS006K</b>
	Part number		BCS S01T401-NSCFNG-KM16-T02
NPN Normally closed	<b>Ordering code</b>		<b>BCS006L</b>
	Part number		BCS S01T401-NOCFNG-KM16-T02
PNP/NPN and NO/NC selectable	<b>Ordering code</b>	<b>BCS00A0</b>	
	Part number	BCS S42SS03-GPCFNG-S49G	
Supply voltage $U_s$		10...35 V DC	10...35 V DC
Voltage drop $U_d$ at $I_o$		$\leq 3$ V	$\leq 2.7$ V
Rated insulation voltage $U_i$		75 V DC	75 V DC
Output current max.		50 mA	100 mA
No-load supply current $I_o$ max.		$\leq 20$ mA	$\leq 10$ mA
Reverse polarity/short circuit protected		no/yes	yes/yes
Ambient temperature range $T_a$		-10...+70 °C	-30...+125 °C
Switching frequency $f$		5 Hz	5 Hz
Power indicator		LED green	
Output function indicator		LED yellow	LED yellow
Degree of protection per IEC 60529		IP 64 (Sensing face: IP 68 at max. 10 bar)	IP 67 (Sensing face: IP 68 at max. 10 bar)
Material	Housing	PSU	Die-case aluminum (GD-Al)
	Sensing face	PSU	PTFE
	Cover	PSU	Die-case aluminum (GD-Al)
Wiring		M8 connector, 3-pin	Screw terminals



## Adjustment

Adjustment is made using the trimming potentiometer. The objective is to set a middle value between the turn-on and turn-off point when the sensor is damped. In individual cases when temperature swings are great and very sticky media are used a slight readjustment may be necessary. Otherwise our adjustment instructions for non-flush mount sensor versions apply.



Gasket not included in the scope of delivery

# Level Detection

DC 3-wire · Tubular housings  
R 3/8", NPTF 3/8"



Pressure rated to 10 bar

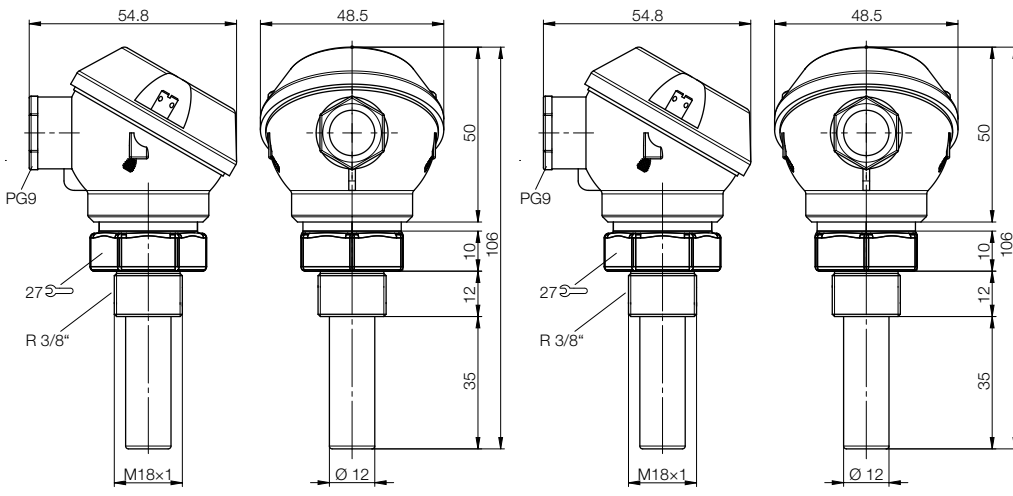


Pressure rated to 10 bar

R 3/8"	NPTF 3/8"
non-flush	non-flush
<b>Level adjustable</b>	<b>Level adjustable</b>
<b>BCS006M</b>	<b>BCS00A6</b>
BCS S02T401-PSCFNG-KM16-T02	BCS S03T401-PSCFNH-KM16-T02
<b>BCS006N</b>	<b>BCS00A7</b>
BCS S02T401-POCFNG-KM16-T02	BCS S03T401-POCFNH-KM16-T02
<b>BCS006P</b>	<b>BCS00A8</b>
BCS S02T401-NSCFNG-KM16-T02	BCS S03T401-NSCFNH-KM16-T02
<b>BCS006R</b>	<b>BCS00A9</b>
BCS S02T401-NOCFNG-KM16-T02	BCS S03T401-NOCFNH-KM16-T02
10...35 V DC ≤ 2.7 V 75 V DC 100 mA ≤ 10 mA yes/yes -30...+125 °C 5 Hz	10...35 V DC ≤ 2.7 V 75 V DC 100 mA ≤ 10 mA yes/yes -30...+125 °C 5 Hz
LED yellow IP 67 (Sensing face: IP 68 at max. 10 bar)	LED yellow IP 67 (Sensing face: IP 68 at max. 10 bar)
Die-case aluminum (GD-Al) PTFE Die-case aluminum (GD-Al) Screw terminals	Die-case aluminum (GD-Al) PTFE Die-case aluminum (GD-Al) Screw terminals

**DC 3-wire**  
**Tubular housings**  
**SMART LEVEL**  
technology  
High temperature  
rated styles  
Leak sensor

**AC/DC 2-wire**  
Tubular  
housings



Gasket not included in the scope of delivery

Gasket not included in the scope of delivery

Electrical devices, connectors and holders see Accessories section starting **page 69**

