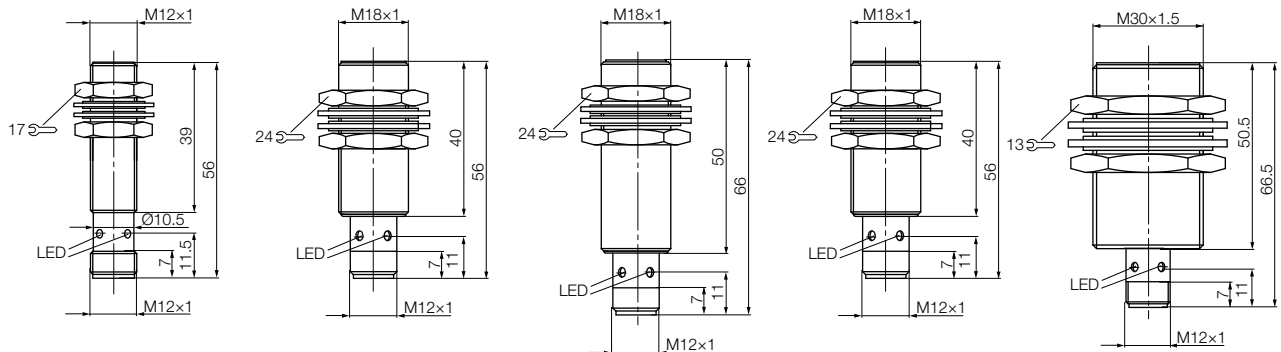


Weld Immune Factor 1+ Sensors

A plus for your application



M12x1	M18x1	M18x1	M18x1	M30x1.5
Flush	Flush	Flush	Quasi-flush	Flush
4 mm	8 mm	8 mm	12 mm	15 mm
BES03YR	BES03YT	BES03YU	BES03YW	BES03YY
BES M12MG-PSC40A-S04G-W	BES M18MG-PSC80A-S04G-W	BES M18MI-PSC80A-S04G-W	BES M18MG-PSC12A-S04G-W	BES M30MI-PSC15A-S04G-W
10...30 V DC	10...30 V DC	10...30 V DC	10...30 V DC	10...30 V DC
200 mA	200 mA	200 mA	200 mA	200 mA
Yes/yes	Yes/yes	Yes/yes	Yes/yes	Yes/yes
-25...+70 °C	-25...+70 °C	-25...+70 °C	-25...+70 °C	-25...+70 °C
2000 Hz	350 Hz	600 Hz	600 Hz	250 Hz
IP 67	IP 67	IP 67	IP 67	IP 67
CE, cULus	CE, cULus	CE, cULus	CE, cULus	CE, cULus
Brass, PTFE coated	Brass, PTFE coated	Brass, PTFE coated	Brass, PTFE coated	Brass, PTFE coated
PPS GF40	PPS GF40	PPS GF40	PPS GF40	PPS GF40
M12 connector, 3-pin, A-coded	M12 connector, 3-pin, A-coded	M12 connector, 3-pin, A-coded	M12 connector, 3-pin, A-coded	M12 connector, 3-pin, A-coded

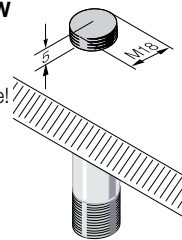


Installation in metal for

BES03YW

requires:

Observe
clear zone!



more added value

- Optimization of system availability
- Reduction in maintenance costs
- Increase in process quality

The ultra-high temperature-resistant inductive sensors can be used in temperature ranges up to +160 °C. These sensors are ideally suited to harsh environments in the steel industry, in plastic injection molding machines and in forging and foundry processes.



Size	
Mounting type	
Rated switching distance s_n	
PNP, NO	Ordering code
	Part number
Operating voltage U_B	
Voltage drop U_d at I_e	
Rated operating current I_e	
Ambient temperature range	
Switching frequency f	
Degree of protection per IEC 60529	
Housing material	
Sensing surface material	
Connection	



For Extreme Applications up to +160 °C

Ultra-high temperature-resistant inductive sensors



M18x1	M18x1	M30x1.5	M30x1.5
Flush	Non-flush	Flush	Non-flush
5 mm	8 mm	10 mm	15 mm
BES043T	BES043U	BES043W	BES043Y
BES 515-326-SA49-D-TF-02	BES 515-360-SA13-D-TF-02	BES 515-327-SA22-D-TF-02	BES 515-362-SA4-D-TF-02
10...30 V DC	10...30 V DC	10...30 V DC	10...30 V DC
2.5 V	2.5 V	2.5 V	2.5 V
200 mA	200 mA	200 mA	200 mA
-25...+160 °C	-25...+160 °C	-25...+160 °C	-25...+160 °C
200 Hz	200 Hz	200 Hz	200 Hz
IP 69K	IP 69K	IP 69K	IP 69K
Stainless steel 1.4571	Stainless steel 1.4571	Stainless steel 1.4571	Stainless steel 1.4571
PEEK	PEEK	PEEK	PEEK
2 m cable FEP, 3x0.34 mm ²	2 m cable FEP, 3x0.34 mm ²	2 m cable FEP, 3x0.34 mm ²	2 m cable FEP, 3x0.34 mm ²

Rated operating current

