

Inductive Sensors

DC 3-/4-wire
Block style housings
 s_n 40 mm, 50 mm

80×84×40 mm

Housing size	80×84×40 mm Maxisensor	80×84×40 mm Maxisensor
Mounting (see notes starting p. 1.0.11)	flush	non-flush
Rated operating distance s_n	40 mm	50 mm
Assured operating distance s_a	0...32.4 mm	0...40.5 mm

Non-flush mount

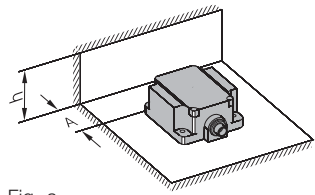


Fig. a

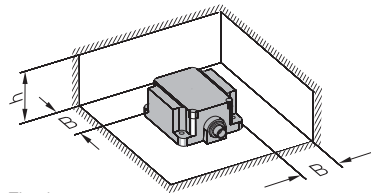


Fig. b

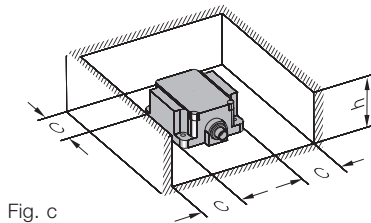


Fig. c

Minimum distances with steel

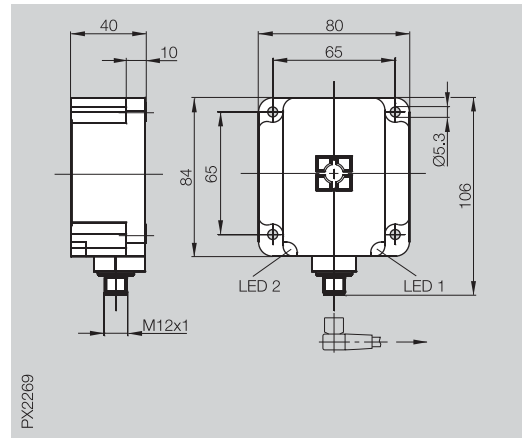
h	A	B	C
40	70	80	90
70	80	90	100

Minimum distances with aluminum

h	A	B	C
40	0	10	10
70	10	20	20

Dimensions in mm

The change in effective operating distance s_r for these installation dimensions is $\leq 10\%$.



PNP	NO	①	BES Q80KA-PSH40B-S04Q	BES Q80KA-PSH50F-S04Q
	complementary	③	BES Q80KA-PAH40B-S04Q	BES Q80KA-PAH50F-S04Q
NPN	complementary	⑥		
Supply voltage U_B	10...55 V DC		10...55 V DC	
Voltage drop U_d at I_e	≤ 2.5 V		≤ 2.5 V	
Rated insulation voltage U_i	250 V AC		250 V AC	
Rated operational current I_e	200 mA		200 mA	
No-load supply current I_0 max.	≤ 15 mA		≤ 15 mA	
Polarity reversal protected	yes		yes	
Short circuit protected	yes		yes	
Repeat accuracy R	$\leq 5\%$		$\leq 5\%$	
Ambient temperature range T_a	$-25...+70$ °C		$-25...+70$ °C	
Switching frequency f	50 Hz		50 Hz	
Utilization category	DC 13		DC 13	
Function/Supply voltage indicator	yes/yes		yes/yes	
Degree of protection per IEC 60529	IP 67		IP 67	
Insulation class	□		□	
Housing material	PBT		PBT	
Material of sensing face	PBT		PBT	
Connection	Connector		Connector	
max. conductor cross-section				
Recommended connector	BKS-_ 19/BKS-_ 20		BKS-_ 19/BKS-_ 20	
possible mounting options	Fig. d		Fig. a to c	

Flush mount

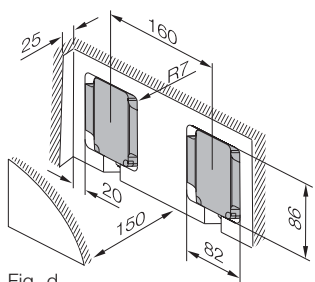


Fig. d



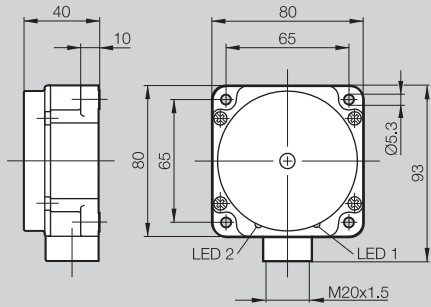
80×80×40 mm Inductive Sensors

DC 4-wire
Block style housings
s_n 40 mm, 50 mm

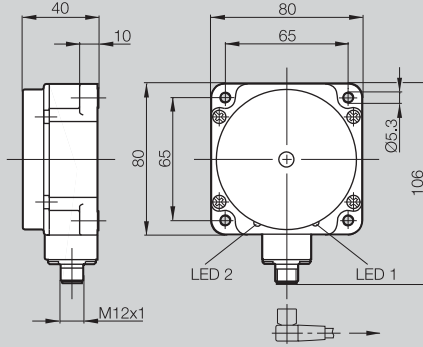
80×80×40 mm Maxisensor
flush
40 mm
0...32.4 mm

80×80×40 mm Maxisensor
non-flush
50 mm
0...40.5 mm

80×80×40 mm Maxisensor
non-flush
50 mm
0...40.5 mm



PX1573



PX0656a

1.1

BES 517-139-M4-H

BES 517-139-M5-H

BES 517-140-M5-H

BES 517-140-M5-H-S4

10...55 V DC
≤ 2.5 V
250 V AC
200 mA
≤ 15 mA
yes
yes

10...55 V DC
≤ 2.5 V
250 V AC
200 mA
≤ 15 mA
yes
yes

10...55 V DC
≤ 2.5 V
250 V AC
200 mA
≤ 15 mA
yes
yes

≤ 5 %
-25...+70 °C
50 Hz
DC 13
yes/yes

≤ 5 %
-25...+70 °C
100 Hz
DC 13
yes/yes

≤ 5 %
-25...+70 °C
100 Hz
DC 13
yes/yes

IP 67

IP 67

IP 67



PBT

PBT

PBT

PBT

PBT

PBT

Screw terminals
up to 2.5 mm²

Screw terminals
to 2.5 mm²

Connector

Fig. 1 to 4

Fig. 4

BKS- 19/BKS- 20

Fig. 4

Mounting in steel

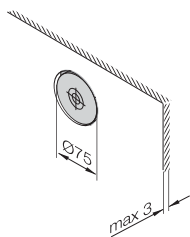


Fig. 1

Mounting in non-ferrous metals

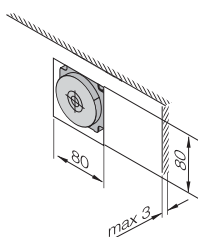


Fig. 2

Mounting in steel/ non-ferrous metals

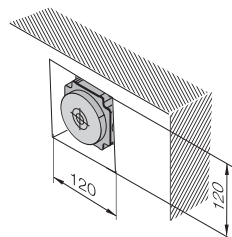


Fig. 3

Mounting on steel/ non-ferrous metals

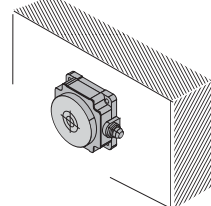


Fig. 4



5

Connectors
page 5.2 ...