

Vision Sensors BVS-C with Configurator

Maximum productivity with a local solution

VISIONSENSOR

For fast and simple retrofitting of machines and equipment, you can also get the BVS Vision Sensor with a separate configurator including display and software. You can also use the same tools on the BVS-E series as the BVS-C. The difference? Tasks are taught in using a configurator.

- Quick and easy to retrofit
- Simple operation, without a PC
- Process monitoring in live screen
- Application statistics
- Configurator and/or PLC for changing between inspections
- Setup times minimized
- Extensive range of accessories
- Function module for PLC available



The complete solution including BVS-C configurator

- Color 3.5 inch display and handy operating buttons
- 20 inspection memory cells
- Eight independent tools
- On-site teach-in and correction
- Password protection possible



Series	
Style	
Lens, focal length	
PNP	Ordering code
	Part number
Supply voltage U_b	
Switching inputs	
Switching outputs	
Rated operating current I_b	
Parameter configuration	
Typ. detection rate	
Image sensor	
Working range	
Working distance, Field of view (horizontal×vertical)	
Lighting	
Eye safety per IEC 62471	
Dimensions	
Connection	
Degree of protection per IEC 60529	
Ambient temperature range T_a	
Display	

Refer to the chapter "Basic Information and Definitions" on page 15 for optical and electrical information.

To define the field of view and working distance, use the distance calculator at:

www.balluff.com/vision

ePLAN

EPLAN macros – Electrical project planning made easy. Also for the BVS!



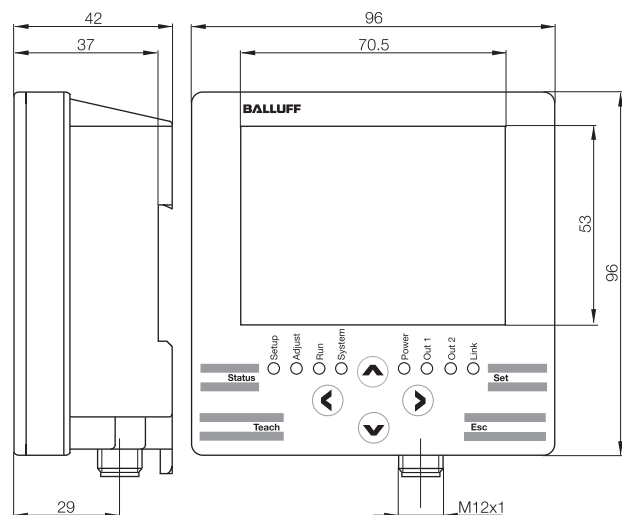
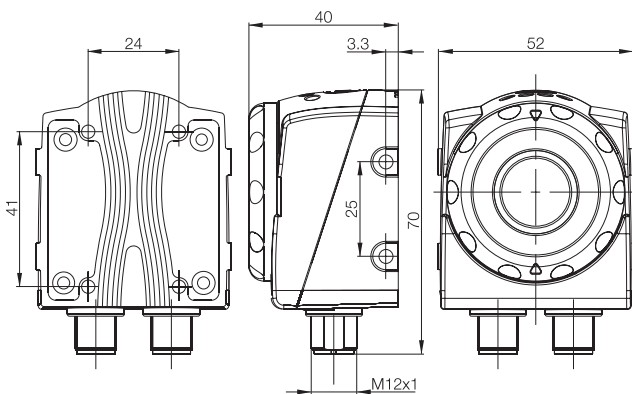
Vision Sensors BVS-C with Configurator

Maximum productivity with a local solution



BVS-E Standard
BVS-E Advanced
BVS-C with configurator
BVS-E Identification
BVS starter kits

Vision sensor	Vision sensor	Configurator with display
BVS-C with configurator	BVS-C with configurator	BVS-C
Standard lens, 8 mm	Telephoto lens, 12 mm	
BVS0008	BVS0007	BAE009C
BVS OI-3-011-C	BVS OI-3-013-C	BAE PD-VS-001-C
24 V DC ±10 %	24 V DC ±10 %	24 V DC ±10 %
1× Trigger, 1× Select	1× Trigger, 1× Select	
1× lighting synchron. or PNP, 3× PNP or NPN configurable	1× lighting synchron. or PNP, 3× PNP or NPN configurable	
100 mA	100 mA	
Configurator	Configurator	
3...15 Hz (depending on evaluation function)	3...15 Hz (depending on evaluation function)	
CMOS-SW-VGA 640×480	CMOS-SW-VGA 640×480	
50...1000 mm	50...1000 mm	
50 mm, 1000 mm, 25×20 mm 460×380 mm	50 mm, 1000 mm, 17×12 mm 320×210 mm	
LED, incident light (red), deselectable	LED, incident light (red), deselectable	
Exempt group	Exempt group	
58×52×40 mm	58×52×40 mm	96×96×42.4 mm
2 connectors M12 (8-pin)	2 connectors M12 (8-pin)	1 connector M12 (8-pin)
IP 54	IP 54	IP 40
-10...+55 °C	-10...+55 °C	-10...+55 mm
		3.5" color LCD



Description	Starter kit
Version	for BVS-C with configurator
Ordering code	BVS0009
Part number	BVS Z-SK-OI-02
Contents	Vision Sensor, configurator, mounting bracket, installation accessories, connector, software and quick guide

Lights, connectors and mounting components, see chapter "Accessories", on page 37

