

PowerProx Small Teach-in – WTT190L-Kxxx

MultiTask photoelectric sensor

SICK
Sensor Intelligence.



PowerProx Small Teach-in – WTT190L-Kxxx

MultiTask photoelectric sensor

SICK
Sensor Intelligence.



de
en
es
fr
it
ja
pt
ru
zh

Described product

PowerProx Small Teach-in – WTT190L-Kxxxx

Manufacturer

SICK AG
Erwin-Sick-Str. 1
79183 Waldkirch
Germany

Legal information

This work is protected by copyright. Any rights derived from the copyright shall be reserved for SICK AG. Reproduction of this document or parts of this document is only permissible within the limits of the legal determination of Copyright Law. Any modification, abridgment or translation of this document is prohibited without the express written permission of SICK AG.

The trademarks stated in this document are the property of their respective owner.

© SICK AG. All rights reserved.

Original document

This document is an original document of SICK AG.




Contents

1	Safety information.....	4
1.1	Safety notes.....	4
2	Product description.....	4
2.1	Intended use.....	4
2.2	Dimensional drawing.....	5
3	Commissioning.....	5
3.1	Check the application conditions:.....	5
3.2	Mounting.....	6
3.3	Electronics.....	6
3.4	Functioning of the programmable input.....	7
3.5	Alignment.....	7
4	Configuration.....	7
4.1	Setting the switching output via the teach-in quick access button (-/Q1) (+/Q2) (Set/Q3).....	7
4.2	Setting the switching outputs and other sensor configurations via the menu.....	8
4.3	Pushbutton lock.....	11
5	Troubleshooting.....	11
5.1	Troubleshooting.....	11
5.2	Table: Fault diagnosis.....	11
6	Technical data.....	11
6.1	Technical data.....	11
7	Disassembly and disposal.....	12
8	Maintenance.....	12

1 Safety information

1.1 Safety notes

- Read the operating instructions before commissioning.
- Connection, mounting, and setting may only be performed by trained specialists.
- Not a safety component in accordance with the EU Machinery Directive.
- UL: Only for use in applications in accordance with NFPA 79. These devices shall be protected by a 1 A fuse suitable for 30 V DC. Adapters listed by UL with connection cables are available. Enclosure type 1.
- When commissioning, protect the device from moisture and contamination.
- These operating instructions contain information required during the life cycle of the sensor.

LASERKLASSE 1	
	Laser 1
EN/IEC 60825-1:2014 IEC60825-1:2007	
Maximum pulse power < 64 mW Puls length: 9 ns Wavelength: 650 nm	
Complies with 21 CFR 1040.10 and 1040.11 except for deviations pursuant to Laser Notice No. 50, dated June 24, 2007	



ATTENTION

WARNING: Interruption, manipulation or incorrect use can lead to hazardous exposure due to laser radiation.

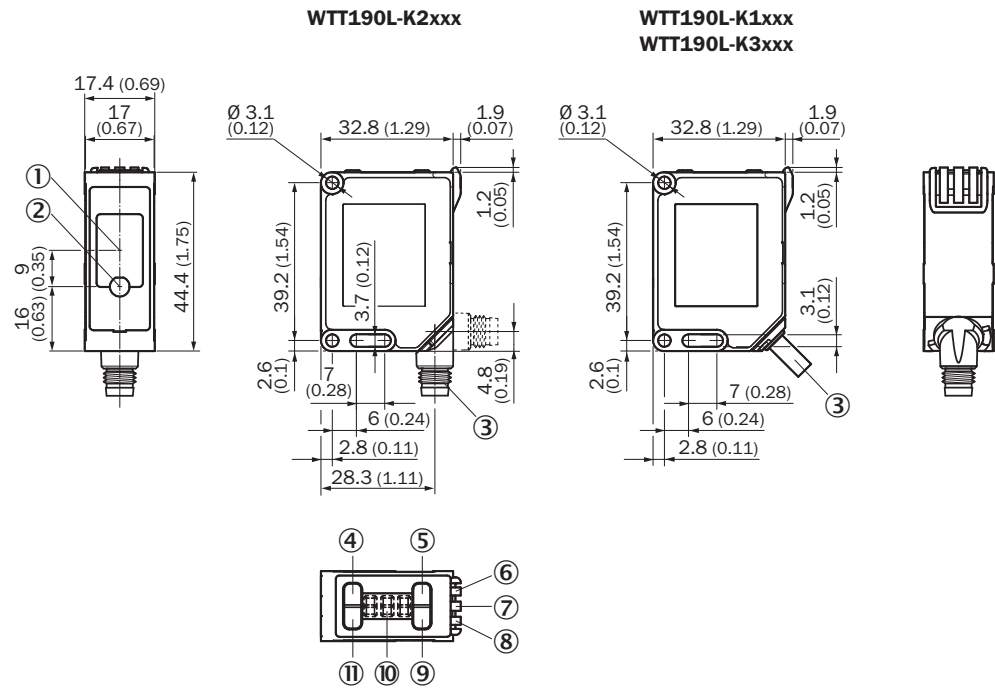
2 Product description

2.1 Intended use

The WTT190L-Kxxxx is an opto-electronic photoelectric proximity sensor (referred to as “sensor” in the following) for the optical, non-contact detection of objects. If the product is used for any other purpose or modified in any way, any warranty claim against SICK AG shall become void.

Photoelectric proximity sensor with background suppression and analog distance value output.

2.2 Dimensional drawing



- ① Receiver
- ② Sender
- ③ Connection
- ④ RUN button
- ⑤ (+/Q2) button
- ⑥ Output display (orange)
- ⑦ Stability display (green/red), Q3 output display (orange)
- ⑧ Output display (orange)
- ⑨ (-/Q1) button
- ⑩ Display
- ⑪ (SET/Q3) button

3 Commissioning

3.1 Check the application conditions:

Check the application conditions: Adjust the sensing range and distance to the object or background and the remission capability of the object according to the corresponding diagram [H1, H2] (x = sensing range, y = minimum distance between the object and background in mm (object remission / background remission)). Remission: 6% = black, 90% = white (referring to standard white as per DIN 5033).

The minimum distance (= y) for background suppression can be read from diagram [H1⑤] as follows:

Example: x = 1,000 mm, y = 20 mm. That is, the background is suppressed at a distance of > 20 mm from the sensor.

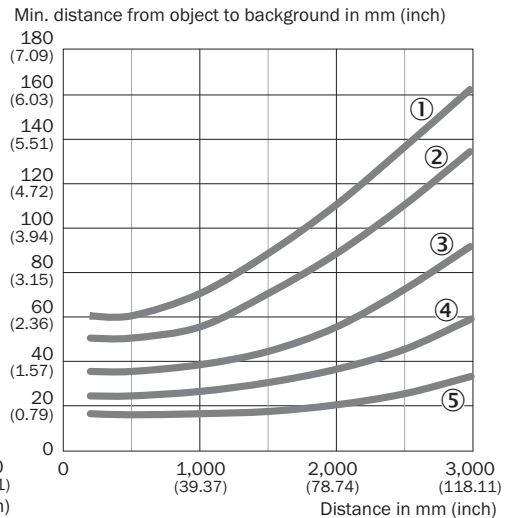
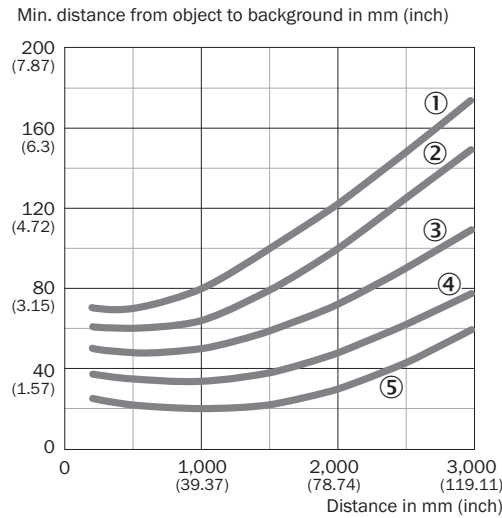


Figure: H-1 - Small teach and analog 6%/90%

Figure: H-2 - Small teach and analog 90%/90%

- ① 6%/90% AVG1
- ② 6%/90% AVG4
- ③ 6%/90% AVG16
- ④ 6%/90% AVG64
- ⑤ 6%/90% AVG256

- ① 90%/90% AVG1
- ② 90%/90% AVG4
- ③ 90%/90% AVG16
- ④ 90%/90% AVG64
- ⑤ 90%/90% AVG256

3.2 Mounting

Mount the sensor using a suitable mounting bracket (see the SICK range of accessories).

Note the sensor's maximum permissible tightening torque of 0.8 Nm.

Note the preferred direction of the object relative to the sensor [F].

3.3 Electronics

The sensors must be connected in a voltage-free state ($U_V = 0\text{ V}$). The information in the graphics [B] must be observed, depending on the connection type:

- Male connector connection: pin assignment
- Cable: wire color

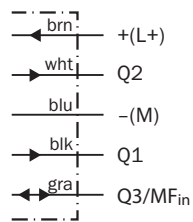


Figure: B - WTT190L-K15x4

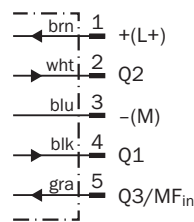


Figure: B-2 - -K35x4

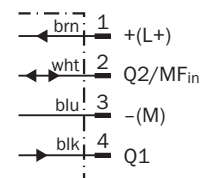


Figure: B-3 - K22x3

Only apply voltage/switch on the voltage supply ($U_V > 0\text{ V}$) once all electrical connections have been established. The green LED indicator lights up on the sensor.

Explanations of the connection diagram (Graphic B):

MF_{in} = multifunctional, programmable input.

3.4 Functioning of the programmable input

		Value	Notes
PNP mode	Deactivated	< 5.0 V	Also deactivated when not connected
	Active	> 10.0 V	Max. applied voltage not higher than UV
NPN mode	Deactivated	> 10.0 V	Max. applied voltage not higher than UV
	Active	< 4.0 V	Also active when not connected

The programmable input must be active for the durations specified below (e.g., U > 10.0 V in PNP mode) in order to set the corresponding functions. For a description of the available functions and how to select them via the menu, see „[Setting the switching outputs and other sensor configurations via the menu](#)“, page 8

Function	Minimum duration	Maximum duration
Laser shutdown	4 ms	-
External teach-in Q1	4 ms	1 s
External teach-in Q2	1 s	2 s

3.5 Alignment

Align the sensor with the object. Select the position so that the red emitted light beam hits the center of the object. You must ensure that the optical opening (front screen) of the sensor is completely clear [F]. We recommend making the adjustments using an object with a low remission.

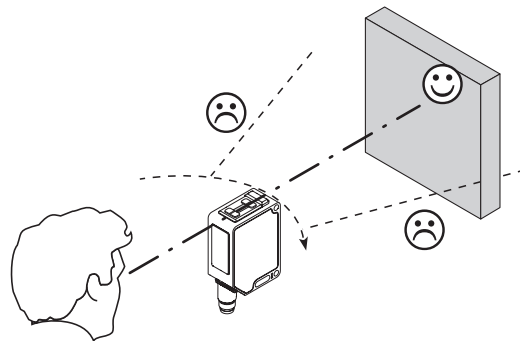


Figure: E

4 Configuration

Perform configuration:

4.1 Setting the switching output via the teach-in quick access button (-/Q1) (+/Q2) (Set/Q3)

The sensing range is adjusted by pressing the teach-in quick access button for > 1 s.



NOTE

The teach-in quick access button (Set/Q3) is only active if the **OUT** option has previously been selected in the **MF** menu item. See section [chapter 4.2](#) for more information

Do not operate the teach-in buttons using sharp objects. We recommend placing the switching range in the object, e.g., see Graphic F. Once the sensing range has been adjusted, the object is removed from the path of the beam, which causes the background to be suppressed and the switching output to change (see Graphic C).

The sensor is adjusted and ready for operation. Refer to Graphic C to check the function. If the switching output fails to behave in accordance with Graphic C, check the application conditions. See section [chapter 5](#).

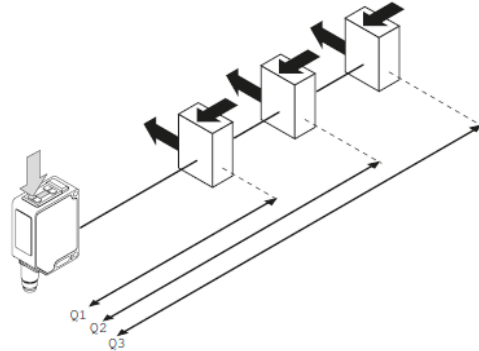


Figure: F

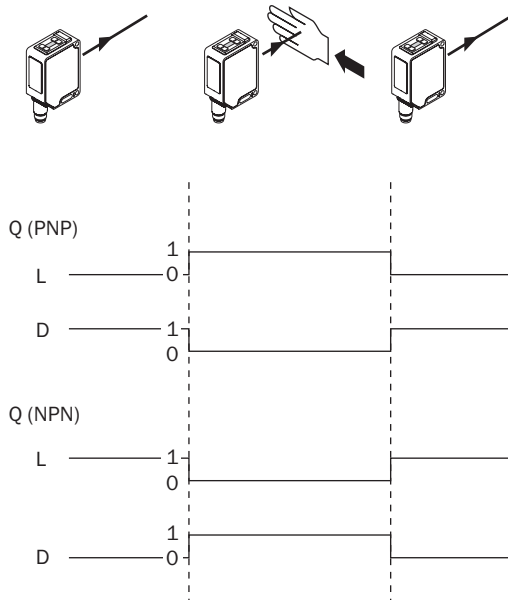


Figure: C

4.2 Setting the switching outputs and other sensor configurations via the menu

As an alternative, the switching outputs can also be set via the menu. Further sensor configurations can also be performed via the menu. The menu is accessed by briefly pressing the **Set/Q3** button for < 1 s. Graphic K describes how to navigate within the menu.

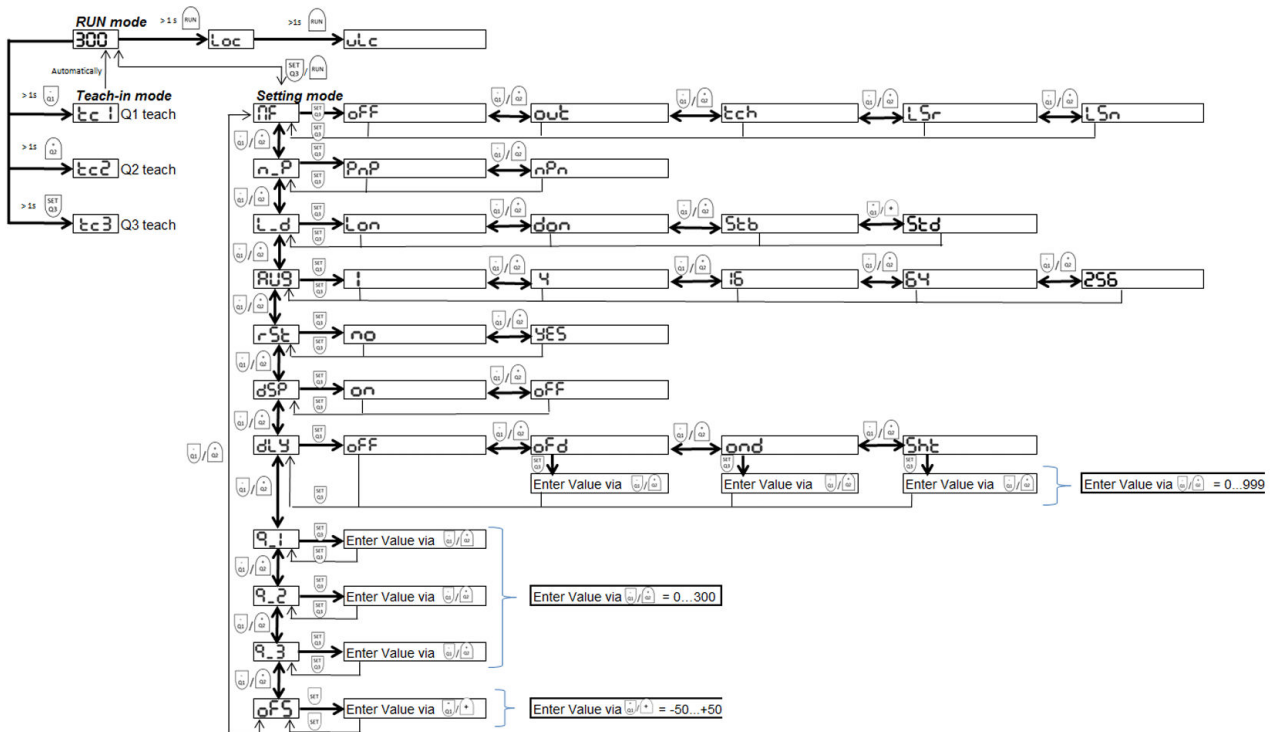


Figure 1: K

The table below explains the abbreviations and displays the possible settings.

Table 1: Teach parameter list

Name	Display	Description	Value selection	Display	Initial value	Description
MF	MF	Enables the configuration of the multifunctional input/output.	OFF, OUT, TCH, LSR, LSN	oFF		The external input has no function.
				out		In 5-pin devices: Pin 5 or the gray wire functions as a switching output. In 4-pin devices: Pin 2 functions as a switching output.
				tch		The external input is a teach-in input. For a functional description, see „Electronics“, page 6
				LSr	X	The external input functions as a laser shutdown, high-active.
				LSn		The external input functions as a laser shutdown, low-active.
N_P	n_P	Switchover between PNP/NPN mode.	PNP, NPN	PnP	X	Inputs and outputs are in PNP mode.
				nPn		Inputs and outputs are in NPN mode.
L_D	L_d	Switchover between light/dark switching	LON, DON, STB, STD	Lon	X	Light switching: The switching output switches on when the object is closer than the taught sensing range.

Name	Display	Description	Value selection	Display	Initial value	Description
				don		Dark switching: The switching output switches off when the object is closer than the taught sensing range.
				Stb		The switching output Q1 issues the stability of the measured value acquisition (therefore corresponds to the LED stability display). Light switching functionality.
				Std		The switching output Q1 issues the stability of the measured value acquisition (therefore corresponds to the LED stability display). Dark switching functionality.
AVG	AUG	Setting the moving arithmetic average	1, 4, 16, 64, 256	64	64	Sets the number of values across which a moving arithmetic average is established when the signal is output. This smooths the signal output. The possible values are 1, 4, 16, 64, or 256 (e.g., 1 = no averaging, 256 = average across 256 values)
RST	rSt	Reset to factory settings	NO, YES	no	X	No reset.
				YES		Reset all values to factory settings with the exception of the PNP/NPN selection.
DSP	dSP	Display settings	ON, OFF	on	X	Display shows display value in cm.
				oFF		Display switches off 30 seconds after an operating button was last pressed.
DLY	dLY	Setting the time functions for the switching outputs.	OFF, OFD, OND, SHT	oFF	X	No time function activated.
				oFd		Switch-off delay, adjustable from 0 ... 999 ms.
				ond		Switch-on delay, adjustable from 0 ... 999 ms.
				Sht		Single shot, adjustable from 0 ... 999 ms.
Q_1	q_1	Distance assignment for switching output Q1.	0 ... 300	300	300	Value range 0 ... 300
Q_2	q_2	Distance assignment for switching output Q2.	0 ... 300	300	300	Value range 0 ... 300
Q_3	q_3	Distance assignment for switching output Q3. (only in 5-pin devices)	0 ... 300	300	300	Value range 0 ... 300
OFS	oFS	Defines the offset of the switching threshold (cm) during the teach-in, based on the currently measured value.	-50 ... +50	0	0	Value range -50 ... +50

If the switching outputs are to be set via the menu, adjust the Q_X entries.

Press the Run button to leave the menu.

4.3 Pushbutton lock

Pushbutton lock on: Press the (Run) button for > 1 s

Pushbutton lock off: Press the (Run) button again for > 1 s

5 Troubleshooting

5.1 Troubleshooting

The Troubleshooting table indicates measures to be taken if the sensor stops working.

5.2 Table: Fault diagnosis

LED indicator/fault pattern / LED indicator/fault pattern	Cause / Cause	Measures / Measures
Green LED does not light up / Green LED does not light up	No voltage or voltage below the limit values / No voltage or voltage below the limit values	Check the power supply, check all electrical connec- tions (cables and plug connec- tions) / Check the power supply, check all electrical connec- tions (cables and plug connec- tions)
Green LED does not light up / Green LED does not light up	Voltage interruptions / Voltage interruptions	Ensure there is a stable power supply without interruptions / Ensure there is a stable power supply without interruptions
Green LED does not light up / Green LED does not light up	Sensor is faulty / Sensor is faulty	If the power supply is OK, replace the sensor / If the power supply is OK, replace the sensor
Yellow LED lights up, no object in the path of the beam / Yellow LED lights up, no object in the path of the beam	Distance between the sensor and the background is too short / / Distance between the sen- sor and the background is too short	Reduce the sensing range, see graphic F / Reduce the sensing range, see graphic F
Object is in the path of the beam, yellow LED does not light up / Object is in the path of the beam, yellow LED does not light up	Distance between the sensor and the object is too long or sensing range is set too short / Distance between the sensor and the object is too long or sensing range is set too short	Increase the sensing range, see graphic F / Increase the sensing range, see graphic F

6 Technical data

6.1 Technical data

	WTT190L-Kxxx
Laser class	1

	WTT190L-Kxxx
Sensing range	0.2 ... 3.0 m ¹⁾
Sensing range max.	0.2 ... 3.0 m ¹⁾
Light spot diameter/distance	~ 12.0 mm / 3.0 m
Supply voltage V _S	DC 10 ... 30 V ²⁾
Output current I _{max}	≤ 100 mA
Max. switching frequency	AVG 1: 833 Hz, AVG 4: 500 Hz, AVG 16: 147 Hz, AVG 64: 38 Hz, AVG 256: 10 Hz ^{3) 4)5)}
Max. response time	AVG 1: 0.6 ms, AVG 4: 1 ms, AVG 16: 3.4 ms, AVG 64: 13 ms, AVG 256: 51.4 ms ^{6) 4)5)}
Enclosure rating	IP 67
Protection class	III
Circuit protection	A, B, C ⁷⁾
Ambient operating temperature	-30 ... +50 °C ⁸⁾
¹⁾ Object with 6 % ... 90 % remission (based on standard white DIN 5033) ²⁾ Limit value; operation in short-circuit protection mains max. 8 A; residual ripple max. 5 V _{ss} ³⁾ With light / dark ratio 1:1 ⁴⁾ Can be influenced via average filter. ⁵⁾ Dependent on distance to object, distance to background, and switching threshold selected ⁶⁾ Signal transit time with resistive load ⁷⁾ A = UV-connections reverse polarity protected B = inputs and output reverse-polarity protected C = Interference suppression ⁸⁾ Where TU < -10 °C: warm-up time < 10 min; UV>=24 V.	

7 Disassembly and disposal

The sensor must be disposed of according to the applicable country-specific regulations. Efforts should be made during the disposal process to recycle the constituent materials (particularly precious metals).

8 Maintenance

SICK sensors are maintenance-free.

We recommend doing the following regularly:

- Clean the external lens surfaces
- Check the screw connections and plug-in connections

No modifications may be made to devices.

Subject to change without notice. Specified product properties and technical data are not written guarantees.

PowerProx Small Teach-in - WTT190L-Kxxx

MultiTask-Lichtschränke

SICK
Sensor Intelligence.



de
en
es
fr
it
ja
pt
ru
zh

Beschriebenes Produkt

PowerProx Small Teach-in - WTT190L-Kxxxx

Hersteller

SICK AG
Erwin-Sick-Str. 1
79183 Waldkirch
Deutschland

Rechtliche Hinweise

Dieses Werk ist urheberrechtlich geschützt. Die dadurch begründeten Rechte bleiben bei der Firma SICK AG. Die Vervielfältigung des Werks oder von Teilen dieses Werks ist nur in den Grenzen der gesetzlichen Bestimmungen des Urheberrechtsgesetzes zulässig. Jede Änderung, Kürzung oder Übersetzung des Werks ohne ausdrückliche schriftliche Zustimmung der Firma SICK AG ist untersagt.

Die in diesem Dokument genannten Marken sind Eigentum ihrer jeweiligen Inhaber.

© SICK AG. Alle Rechte vorbehalten.

Originaldokument

Dieses Dokument ist ein Originaldokument der SICK AG.




Inhalt

9	Zu Ihrer Sicherheit.....	16
9.1	Sicherheitshinweise.....	16
10	Produktbeschreibung.....	16
10.1	Bestimmungsgemäße Verwendung.....	16
10.2	Maßzeichnung.....	17
11	Inbetriebnahme.....	17
11.1	Einsatzbedingungen prüfen:.....	17
11.2	Montage.....	18
11.3	Elektronik.....	18
11.4	Funtionsweise des programmierbaren Eingangs.....	19
11.5	Ausrichtung.....	19
12	Konfiguration.....	19
12.1	Einstellung des Schaltausgangs über die Teach-in-Schnellzugriffstaste (-/Q1) (+/Q2) (Set/Q3).....	19
12.2	Einstellung der Schaltausgänge sowie weitere Parametrierungen des Sensors über das Menü.....	20
12.3	Tastensperre.....	23
13	Störungsbehebung.....	23
13.1	Störungsbehebung.....	23
13.2	Tabelle Fehlerdiagnose.....	23
14	Technische Daten.....	24
14.1	Technische Daten.....	24
15	Demontage und Entsorgung.....	24
16	Wartung.....	24

9 Zu Ihrer Sicherheit

9.1 Sicherheitshinweise

- Vor der Inbetriebnahme die Betriebsanleitung lesen.
- Anschluss, Montage und Einstellung nur durch Fachpersonal.
- Kein Sicherheitsbauteil gemäß EU-Maschinenrichtlinie.
- UL: Nur zur Verwendung in Anwendungen gemäß NFPA 79. Diese Geräte müssen mit einer für 30V DC geeigneten 1A-Sicherung abgesichert werden. Von UL gelistete Adapter mit Anschlusskabeln sind verfügbar. Enclosure type 1.
- Gerät bei Inbetriebnahme vor Feuchte und Verunreinigung schützen.
- Diese Betriebsanleitung enthält Informationen, die während des Lebenszyklus des Sensors notwendig sind.

LASERKLASSE 1	
	Laser 1
EN/IEC 60825-1:2014 IEC60825-1:2007	
Maximale Pulsleistung: < 64 mW Impulsdauer: 9 ns Wellenlänge: 650 nm	
Entspricht 21 CFR 1040.10 und 1040.11 mit Ausnahme von Abweichungen nach Laser-Hinweis 50, 24. Juni 2007	



ACHTUNG

ACHTUNG: Eingriffe oder Manipulationen oder nicht bestimmungsgemäße Verwendung kann zu gefährlicher Belastung durch Laser-Lichtstrahlung führen.

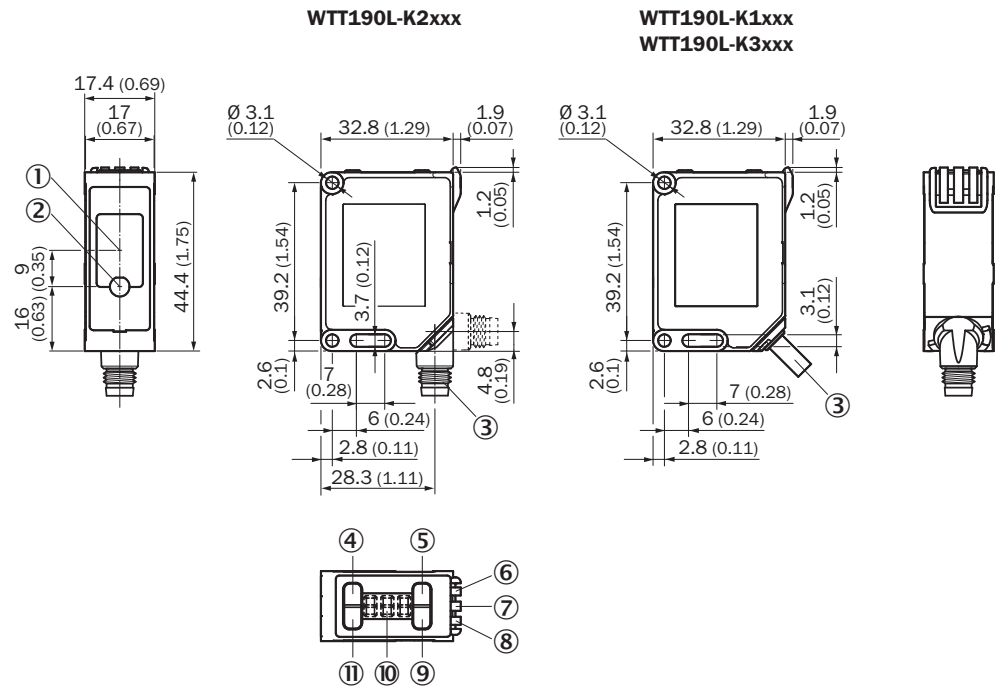
10 Produktbeschreibung

10.1 Bestimmungsgemäße Verwendung

Die WTT190L-Kxxxx ist ein optoelektronischer Reflexions-Lichttaster (im Folgenden Sensor genannt) und wird zum optischen, berührungslosen Erfassen von Sachen eingesetzt. Bei jeder anderen Verwendung und bei Veränderungen am Produkt verfällt jeglicher Gewährleistungsanspruch gegenüber der SICK AG.

Reflexionslichttaster mit Hintergrundausblendung.

10.2 Maßzeichnung



- ① Empfänger
- ② Sender
- ③ Anschluss
- ④ RUN Taste
- ⑤ (+/Q2) Taste
- ⑥ Ausgangsanzeige (orange)
- ⑦ Stabilitätsanzeige (grün / rot), Q3 Anzeige Ausgang (orange)
- ⑧ Ausgangsanzeige (orange)
- ⑨ (-/Q1) Taste
- ⑩ Anzeige
- ⑪ (SET/Q3) Taste

11 Inbetriebnahme

11.1 Einsatzbedingungen prüfen:

Einsatzbedingungen prüfen: Schaltabstand und Distanz zum Objekt bzw. Hintergrund sowie Remissionsvermögen des Objektes mit dem zugehörigen Diagramm [vgl. H1, H2] abgleichen (x = Schaltabstand, y = Mindestabstand zwischen Objekt und Hintergrund in mm (Remission Objekt / Remission Hintergrund)). Remission: 6 % = schwarz, 90 % = weiß (bezogen auf Standardweiß nach DIN 5033).

Die minimale Distanz (= y) für die Hintergrundausbldung kann aus dem Diagramm [vgl. H1⑤] wie folgt abgelesen werden:

Beispiel: x = 1000 mm, y = 20 mm. D. h. der Hintergrund wird ab einer Distanz von > 20 mm vom Objekt ausgeblendet.

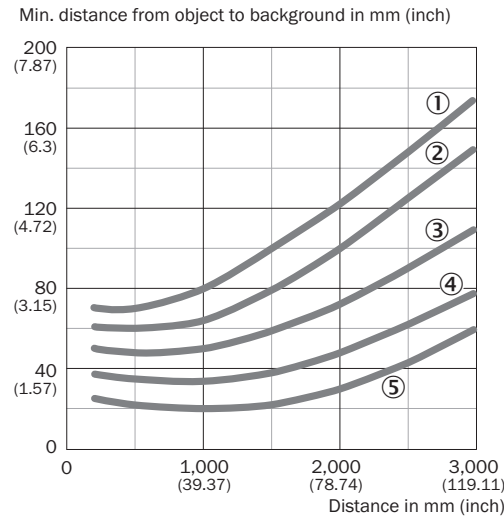


Abbildung: H-1 - Small teach and analog 6%/90%

- ① 6%/90% AVG1
- ② 6%/90% AVG4
- ③ 6%/90% AVG16
- ④ 6%/90% AVG64
- ⑤ 6%/90% AVG256

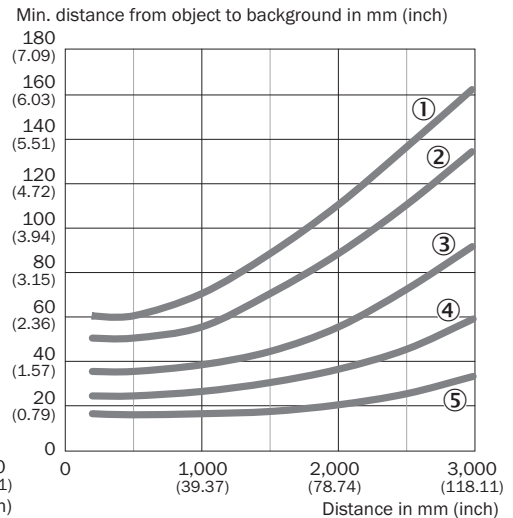


Abbildung: H-2 - Small teach and analog 90%/90%

- ① 90%/90% AVG1
- ② 90%/90% AVG4
- ③ 90%/90% AVG16
- ④ 90%/90% AVG64
- ⑤ 90%/90% AVG256

11.2 Montage

Den Sensor an einen geeigneten Befestigungswinkel montieren (siehe SICK-Zubehör-Programm).

Maximal zulässiges Anzugsdrehmoment des Sensors von 0.8 Nm beachten.

Vorzugsrichtung des Objektes zum Sensor beachten [vgl. F].

11.3 Elektronik

Anschluss der Sensoren muss spannungsfrei ($U_V = 0\text{ V}$) erfolgen. Je nach Anschlussart sind die Informationen in den Grafiken [vgl. B] zu beachten:

- Steckeranschluss: Pinbelegung
- Leitung: Adernfarbe

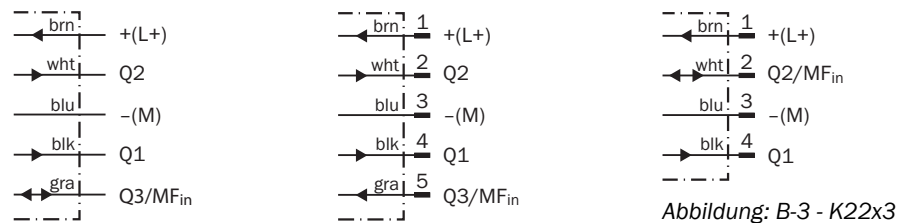


Abbildung: B - WTT190L-K15x4 Abbildung: B-2 - -K35x4

Erst nach Anschluss aller elektrischen Verbindungen die Spannungsversorgung ($U_V > 0\text{ V}$) anlegen bzw. einschalten. Am Sensor leuchtet die grüne Anzeige-LED.

Erläuterungen zum Anschlussschema (Grafik B):

MF_{in} = Multifunktion, programmierbarer Eingang.

11.4 Funktionsweise des programmierbaren Eingangs

		Wert	Bemerkung
PNP Modus	Inaktiv	< 5,0 V	Auch inaktiv wenn nicht angeschlossen
	Aktiv	> 10,0 V	Max. angelegte Spannung nicht höher als UV
NPN Modus	Inaktiv	> 10,0 V	Max. angelegte Spannung nicht höher als UV
	Aktiv	< 4,0 V	Auch aktiv wenn nicht angeschlossen

Der programmierbare Eingang muss für die unten stehenden Zeiten aktiv sein (z. B. im PNP Modus $U > 10,0\text{ V}$), um die entsprechenden Funktionen einzustellen. Die zur Verfügung stehenden Funktionen sowie deren Auswahl über das Menü entnehmen Sie [„Einstellung der Schaltausgänge sowie weitere Parametrierungen des Sensors über das Menü“](#), Seite 20

Funktion	Minimale Dauer	Maximale Dauer
Laserabschaltung	4 ms	-
Externer Teach Q1	4 ms	1 s
Externer Teach Q2	1 s	2 s

11.5 Ausrichtung

Sensor auf Objekt ausrichten. Positionierung so wählen, dass der rote Sendelichtstrahl in der Mitte des Objekts auftrifft. Es ist darauf zu achten, dass die optische Öffnung (Frontscheibe) des Sensors vollständig frei ist [vgl. F]. Wir empfehlen, die Einstellung mit einem Objekt von niedriger Remission vorzunehmen.

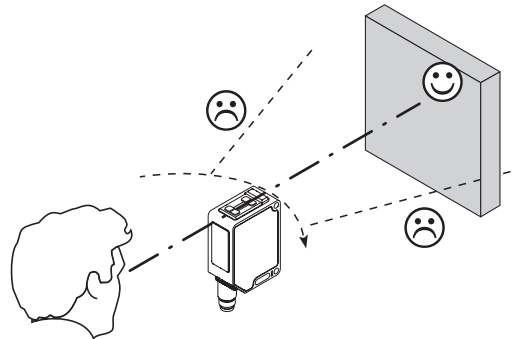


Abbildung: E

12 Konfiguration

Parametrierung durchführen:

12.1 Einstellung des Schaltausgangs über die Teach-in-Schnellzugriffstaste (-/Q1) (+/Q2) (Set/Q3)

Durch Drücken der Teach-in-Schnellzugriffstaste > 1 s wird der Schaltabstand eingestellt.



HINWEIS

Die Teach-in-Schnellzugriffstaste (Set/Q3) ist nur aktiv, wenn zuvor im Menüpunkt MF die Option **OUT** gewählt wurde. Siehe hierzu Abschnitt [Kapitel 12.2](#)

Teach-in-Tasten nicht mit spitzen Gegenständen betätigen. Wir empfehlen, den Schaltabstand in das Objekt zu legen, z. B. siehe Grafik F. Nachdem der Schaltabstand eingestellt worden ist, das Objekt aus dem Strahlengang entfernen, der Hintergrund wird dabei ausgeblendet und der Schaltausgang ändert sich (siehe Grafik C).

Sensor ist eingestellt und betriebsbereit. Zur Überprüfung der Funktion Grafik C heranziehen. Verhält sich der Schaltausgang nicht gemäß Grafik C, Einsatzbedingungen prüfen. Siehe Abschnitt [Kapitel 13](#).

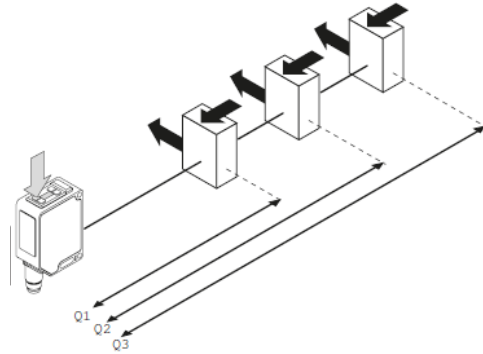


Abbildung: F

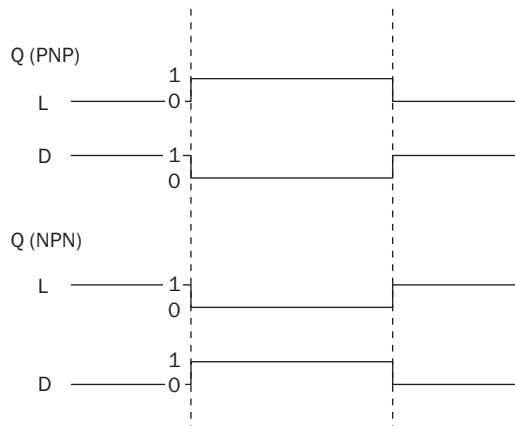
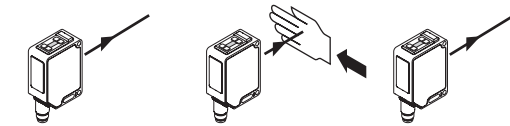


Abbildung: C

12.2 Einstellung der Schaltausgänge sowie weitere Parametrierungen des Sensors über das Menü

Die Schaltausgänge können alternativ auch über das Menü eingestellt werden. Ebenso lassen sich weitere Parametrierungen des Sensors über das Menü vornehmen. Der Zugriff zum Menü erfolgt über kurzes Drücken < 1 s der Taste **Set/Q3**. Die Navigation im Menü beschreibt Grafik K.

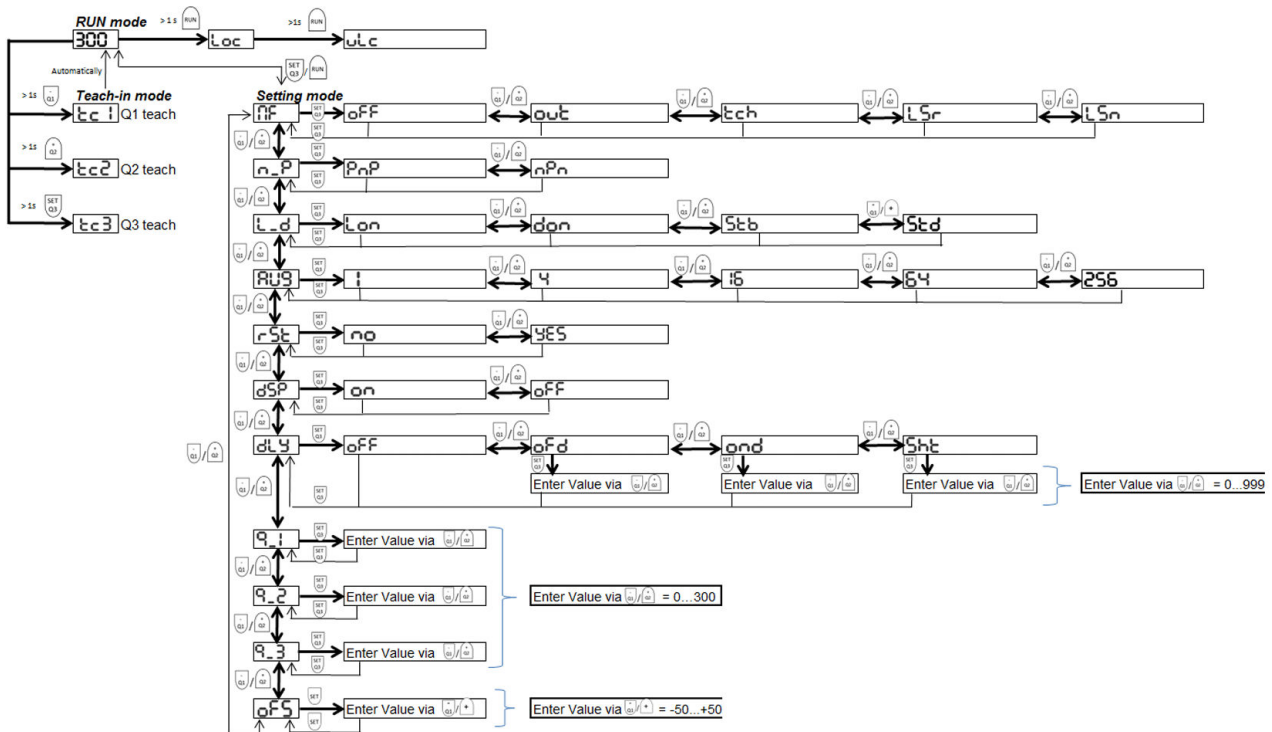


Abbildung 2: K

Die folgende Tabelle erklärt die Abkürzungen und zeigt die möglichen Einstellungen.

Tabelle 2: Teach-Parameter-Liste

Name	Anzeige	Beschreibung	Werteauswahl	Anzeige	Initialwert	Beschreibung
MF	MF	Ermöglicht die Parametrierung des Multifunktionsein-/ausgang.	OFF, OUT, TCH, LSR, LSN	oFF		Der externe Eingang ist funktionslos.
				out		Bei 5 poligen Geräten: Pin 5 bzw. die graue Ader funktioniert als Schaltausgang. Bei 4 poligen Geräten: Pin 2 funktioniert als Schaltausgang.
				tch		Der externe Eingang ist ein Teach-Eingang. Zur Funktionsweise siehe „Elektronik“, Seite 18
				LSr	X	Der externe Eingang funktioniert als Laserabschaltung, high-active.
				LSn		Der externe Eingang funktioniert als Laserabschaltung, low-active.
N_P	n_P	Umschaltung PNP-/NPN-Modus.	PNP, NPN	PnP	X	Ein- und Ausgänge sind im PNP Modus.
				nPn		Ein- und Ausgänge sind im NPN Modus.
L_D	L_d	Umschaltung hell-/dunkelschaltend	LON, DON, STB, STD	Lon	X	Hellschaltend: Der Schaltausgang schaltet ein, wenn sich das Objekt näher als der geteachte Schaltabstand befindet.

Name	Anzeige	Beschreibung	Werteauswahl	Anzeige	Initialwert	Beschreibung
				don		Dunkelschaltend: Der Schalt- ausgang schaltet aus, wenn sich das Objekt näher als der geteachte Schaltabstand befindet.
				Stb		Der Schaltausgang Q1 gibt die Stabilität der Messwerter- fassung aus (entspricht somit der LED Stabilitätsanzeige). Funktionsweise hell-schaltend.
				Std		Der Schaltausgang Q1 gibt die Stabilität der Messwerter- fassung aus (entspricht somit der LED Stabilitätsanzeige). Funktionsweise dunkel-schal- tend.
AVG	AUG	Einstellung gleitender arith- metischer Mittelwert	1, 4, 16, 64, 256	64	64	Stellt die Anzahl der Werte ein, über die bei der Signal- ausgabe ein gleitender arith- metischer Mittelwert gebildet wird. Dies beruhigt die Signal- ausgabe. Die möglichen Werte sind 1, 4, 16, 64 oder 256 (z. B. 1 = keine Mittel- wertbildung, 256 = Mittel- wert über 256 Werte)
RST	rSt	Zurücksetzen auf Werksein- stellung	NO, YES	no	X	Kein Zurücksetzen.
				YES		Zurücksetzen aller Werte auf Werkseinstellung mit Aus- nahme der PNP-/NPN-Aus- wahl.
DSP	dSP	Display-Einstellungen	ON, OFF	on	X	Display zeigt Distanzwert in cm.
				oFF		Display wird 30 Sekunden nach der letzten Betätigung einer Bedientaste ausgeschal- tet.
DLY	dLY	Einstellung Zeitfunktionen für die Schaltausgänge.	OFF, OFD, OND, SHT	oFF	X	Keine Zeitfunktion aktiviert.
				oFd		Ausschaltverzögerung, ein- stellbar von 0 ... 999 ms.
				ond		Einschaltverzögerung, einstell- bar von 0 ... 999 ms.
				Sht		Single shot, einstellbar von 0 ... 999 ms.
Q_1	q_1	Distanzzuordnung zu Schalt- ausgang Q1.	0...300	300	300	Wertebereich 0...300
Q_2	q_2	Distanzzuordnung zu Schalt- ausgang Q2.	0...300	300	300	Wertebereich 0...300
Q_3	q_3	Distanzzuordnung zu Schalt- ausgang Q3. (nur bei 5 poli- gen Geräten)	0...300	300	300	Wertebereich 0...300

Name	Anzeige	Beschreibung	Werteauswahl	Anzeige	Initialwert	Beschreibung
OFS	oFS	Definiert den Offset der Schaltschwelle (cm) beim Teach-In, bezogen auf den aktuell gemessenen Wert.	-50...+50	0	0	Wertebereich -50...+50

Sollen die Schaltausgänge über das Menü eingestellt werden, Einträge Q_X anpassen.
Das Menü wird durch Drücken der Taste Run verlassen.

12.3 Tastensperre

Tastensperre ein: Taste (Run) > 1 s drücken

Tastensperre aus: Taste (Run) erneut > 1 s drücken

13 Störungsbehebung

13.1 Störungsbehebung

Tabelle Störungsbehebung zeigt, welche Maßnahmen durchzuführen sind, wenn die Funktion des Sensors nicht mehr gegeben ist.

13.2 Tabelle Fehlerdiagnose

Anzeige-LED / Fehlerbild / LED indicator/fault pattern	Ursache / Cause	Maßnahme / Measures
grüne LED leuchtet nicht / Green LED does not light up	keine Spannung oder Spannung unterhalb der Grenzwerte / No voltage or voltage below the limit values	Spannungsversorgung prüfen, den gesamten elektrischen Anschluss prüfen (Leitungen und Steckerverbindungen) / Check the power supply, check all electrical connections (cables and plug connections)
grüne LED leuchtet nicht / Green LED does not light up	Spannungsunterbrechungen / Voltage interruptions	Sicherstellen einer stabilen Spannungsversorgung ohne Unterbrechungen / Ensure there is a stable power supply without interruptions
grüne LED leuchtet nicht / Green LED does not light up	Sensor ist defekt / Sensor is faulty	Wenn Spannungsversorgung in Ordnung ist, dann Sensor austauschen / If the power supply is OK, replace the sensor
gelbe LED leuchtet, kein Objekt im Strahlengang / Yellow LED lights up, no object in the path of the beam	Abstand zwischen Sensor und Hintergrund ist zu gering / Distance between the sensor and the background is too short	Schaltabstand verringern, siehe Grafik F / Reduce the sensing range, see graphic F
Objekt ist im Strahlengang, gelbe LED leuchtet nicht / Object is in the path of the beam, yellow LED does not light up	Abstand zwischen Sensor und Objekt ist zu groß oder Schaltabstand ist zu gering eingestellt /	Schaltabstand vergrößern, siehe Grafik F / Increase the sensing range, see graphic F

Anzeige-LED / Fehlerbild / LED indicator/fault pattern	Ursache / Cause	Maßnahme / Measures
	Distance between the sensor and the object is too long or sensing range is set too short	

14 Technische Daten

14.1 Technische Daten

	WTT190L-Kxxx
Laserklasse	1
Schaltabstand	0.2 ... 3.0 m ¹⁾
Schaltabstand max.	0.2 ... 3.0 m ¹⁾
Lichtfleckdurchmesser/Entfernung	~ 12.0 mm / 3.0 m
Versorgungsspannung U _v	DC 10 ... 30 V ²⁾
Ausgangsstrom I _{max} .	≤ 100 mA
Schaltfolge max.	AVG 1: 833 Hz, AVG 4: 500 Hz, AVG 16: 147 Hz, AVG 64: 38 Hz, AVG 256: 10 Hz ^{3) 4)5)}
Ansprechzeit max.	AVG 1: 0.6 ms, AVG 4: 1 ms, AVG 16: 3.4 ms, AVG 64: 13 ms, AVG 256: 51.4 ms ^{6) 4)5)}
Schutzart	IP 67
Schutzklasse	III
Schutzschaltungen	A, B, C ⁷⁾
Betriebsumgebungstemperatur	-30 ... +50 °C ⁸⁾
¹⁾ Tastgut mit 6 % ... 90 % Remission (bezogen auf Standard-Weiß DIN 5033) ²⁾ Grenzwerte; Betrieb im kurzschlussgeschützten Netz max. 8 A; Restwelligkeit max. 5 Vss ³⁾ Mit Hell- / Dunkelverhältnis 1:1 ⁴⁾ Kann über Mittelwertfilter beeinflusst werden. ⁵⁾ Abhängig von Abstand zu Objekt, Abstand zu Hintergrund und gewählter Schaltschwelle ⁶⁾ Signallaufzeit bei ohmscher Last ⁷⁾ A = UV-Anschlüsse verpolsicher B = Ein- und Ausgänge verpolsicher C = Störimpulsunterdrückung ⁸⁾ Bei Tu < -10 °C: Aufwärmzeit < 10 min;UV>=24 V.	

15 Demontage und Entsorgung

Die Entsorgung des Sensors hat gemäß den länderspezifisch anwendbaren Vorschriften zu erfolgen. Für die enthaltenen Wertstoffe (insbesondere Edelmetalle) ist im Rahmen der Entsorgung eine Verwertung anzustreben.

16 Wartung

SICK-Sensoren sind wartungsfrei.

Wir empfehlen, in regelmäßigen Abständen

- die optischen Grenzflächen zu reinigen
- Verschraubungen und Steckverbindungen zu überprüfen

Veränderungen an Geräten dürfen nicht vorgenommen werden.

Irrtümer und Änderungen vorbehalten. Angegebene Produkteigenschaften und technische Daten stellen keine Garantieerklärung dar.

PowerProx small apprentissage - WTT190L-Kxxx

Capteur photoélectrique multi-tâches

SICK
Sensor Intelligence.



de
en
es
fr
it
ja
pt
ru
zh

Produit décrit

PowerProx Small apprentissage - WTT190L-Kxxxx

Fabricant

SICK AG
Erwin-Sick-Straße 1
79183 Waldkirch
Allemagne

Remarques juridiques

Cet ouvrage est protégé par les droits d'auteur. Les droits établis restent dévolus à la société SICK AG. La reproduction de l'ouvrage, même partielle, n'est autorisée que dans le cadre légal prévu par la loi sur les droits d'auteur. Toute modification, tout abrègement ou toute traduction de l'ouvrage est interdit sans l'accord écrit exprès de la société SICK AG.

Les marques citées dans ce document sont la propriété de leurs détenteurs respectifs.

© SICK AG. Tous droits réservés.

Document original

Ce document est un document original de SICK AG.




Contenu

17	Pour votre sécurité.....	29
17.1	Consignes de sécurité.....	29
18	Description du produit.....	29
18.1	Utilisation conforme.....	29
18.2	Plan coté.....	30
19	Mise en service.....	30
19.1	Vérification des conditions d'utilisation :.....	30
19.2	Montage.....	31
19.3	Électronique.....	31
19.4	Fonctionnement de l'entrée programmable.....	32
19.5	Alignement.....	32
20	Configuration.....	32
20.1	Réglage de la sortie de commutation via la touche d'accès rapide à l'apprentissage (-/Q1) (+/Q2) (Set/Q3).....	32
20.2	Configurer la sortie de commutation ainsi que d'autres configurations du capteur via le menu.....	33
20.3	Verrouillage des touches.....	36
21	Élimination des défauts.....	36
21.1	Élimination des défauts.....	36
21.2	Tableau de diagnostic rapide.....	36
22	Caractéristiques techniques.....	37
22.1	Caractéristiques techniques.....	37
23	Démontage et mise au rebut.....	37
24	Maintenance.....	38

17 Pour votre sécurité

17.1 Consignes de sécurité

- Lire la notice d'instruction avant la mise en service.
- Confier le raccordement, le montage et le réglage uniquement à un personnel spécialisé.
- Il ne s'agit pas d'un composant de sécurité au sens de la directive machines CE.
- UL : utilisation uniquement dans des applications selon la NFPA 79. Ces appareils doivent être protégés par un fusible de 1 A adapté à du 30 V C.C. Des adaptateurs listés UL avec câbles de connexion sont disponibles. Enclosure type 1.
- Protéger l'appareil contre l'humidité et les impuretés lors de la mise en service.
- Cette notice d'instruction contient des informations nécessaires pendant toute la durée de vie du capteur.

LASERKLASSE 1	
	Laser 1
EN/IEC 60825-1:2014 IEC60825-1:2007	
Maximum pulse power < 64 mW Puls length: 9 ns Wavelength: 650 nm	
Complies with 21 CFR 1040.10 and 1040.11 except for deviations pursuant to Laser Notice No. 50, dated June 24, 2007	



ATTENTION

ATTENTION : toute intervention, manipulation ou utilisation non conforme peut entraîner des blessures graves causées par le faisceau laser.

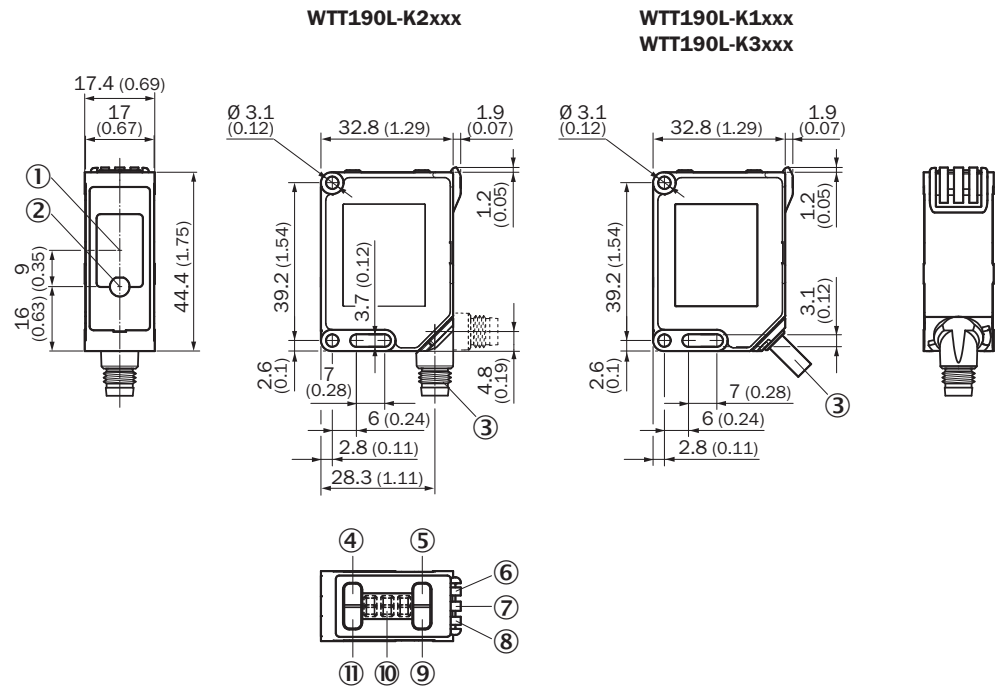
18 Description du produit

18.1 Utilisation conforme

WTT190L-Kxxxx est un détecteur à réflexion directe optoélectronique (appelé capteur dans ce document) qui permet la détection optique sans contact d'objets. Toute autre utilisation ou modification du produit annule la garantie de SICK AG.

Détecteur à réflexion directe avec élimination d'arrière-plan et édition analogique de la valeur de distance

18.2 Plan coté



- ① Récepteur
- ② Émetteur
- ③ Raccordement
- ④ Touche RUN
- ⑤ Touche (+/Q2)
- ⑥ Affichage de la sortie (orange)
- ⑦ Affichage de la stabilité (vert / rouge), affichage Q3 sortie (orange)
- ⑧ Affichage de la sortie (orange)
- ⑨ Touche (-/Q1)
- ⑩ Affichage
- ⑪ Touche (SET / Q3)

19 Mise en service

19.1 Vérification des conditions d'utilisation :

Vérifier les conditions d'utilisation : comparer la distance de commutation et la distance à l'objet ou à l'arrière-plan et les caractéristiques de rémission de l'objet avec le diagramme correspondant [cf. H1, H2] (x = distance de commutation, y = distance minimale entre l'objet et l'arrière-plan en mm (rémission de l'objet / rémission de l'arrière-plan)). Rémission : 6 % = noir, 90 % = blanc (par rapport au blanc standard selon DIN 5033).

La distance minimale (= y) pour l'élimination d'arrière-plan peut être déterminée à partir du diagramme [cf. H1⑤] comme suit :

Exemple : $x = 1\ 000$ mm, $y = 20$ mm. En d'autres termes, l'arrière-plan est masqué à partir d'une distance supérieure à 20 mm de l'objet.

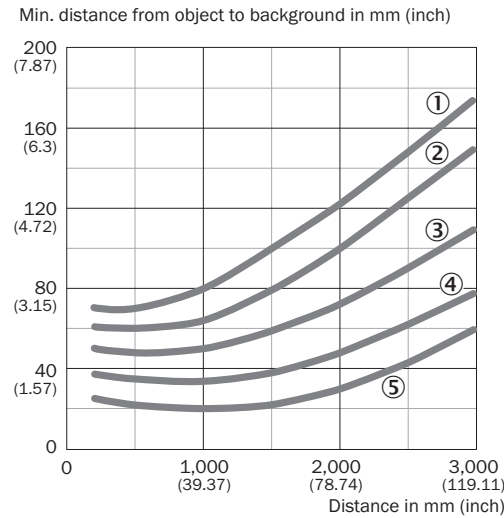


Illustration: H-1 - Small teach and analog
6%/90%

- ① 6%/90% AVG1
- ② 6%/90% AVG4
- ③ 6%/90% AVG16
- ④ 6%/90% AVG64
- ⑤ 6%/90% AVG256

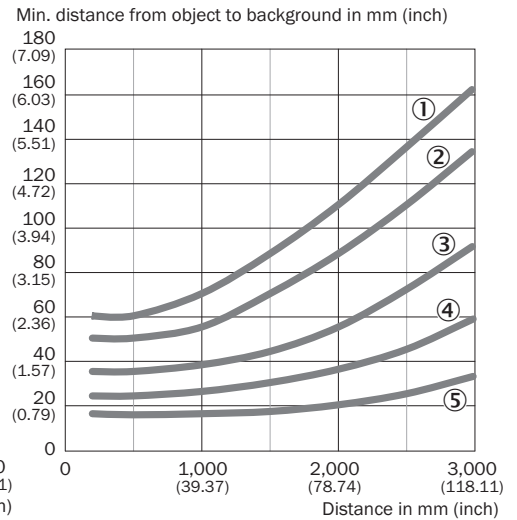


Illustration: H-2 - Small teach and analog
90%/90%

- ① 90%/90% AVG1
- ② 90%/90% AVG4
- ③ 90%/90% AVG16
- ④ 90%/90% AVG64
- ⑤ 90%/90% AVG256

19.2 Montage

Monter le capteur sur un étrier adapté (voir la gamme d'accessoires SICK).

Respecter le couple de serrage maximum autorisé du capteur de 0.8 Nm

Tenir compte de la direction préférentielle de l'objet par rapport au capteur [voir F].

19.3 Électronique

Le raccordement des capteurs doit s'effectuer hors tension ($U_v = 0$ V). Selon le mode de raccordement, respecter les informations contenues dans les schémas [B] :

- Raccordement du connecteur : affectation des broches
- Câble : couleur des fils

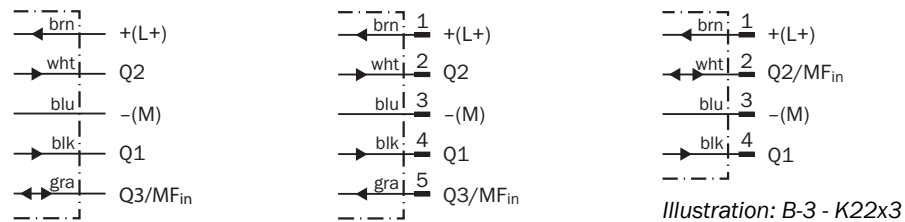


Illustration: B - WTT190L-K15x4 Illustration: B-2 - -K35x4

Après avoir terminé tous les raccordements électriques, activer l'alimentation électrique ($U_v > 0$ V). La DEL verte s'allume sur le capteur.

Explications relatives au schéma de raccordement (schéma B) :

MF_{in} = multifonction, entrée programmable.

19.4 Fonctionnement de l'entrée programmable

		Valeur	Remarque
Mode PNP	Inactive	< 5,0 V	Également inactive si non raccordée
	Active	> 10,0 V	Tension max. appliquée non supérieure à UV
Mode NPN	Inactive	> 10,0 V	Tension max. appliquée non supérieure à UV
	Active	< 4,0 V	Également active si non raccordée

L'entrée programmable doit être active pendant les durées ci-dessous (p. ex. en mode PNP Mode U > 10,0 V) pour régler les fonctions correspondantes. Les fonctions disponibles et les options possibles sont accessibles via le menu „[Configurer la sortie de commutation ainsi que d'autres configurations du capteur via le menu](#)“, page 33

Fonction	Durée minimale	Durée maximale
Coupure du laser	4 ms	-
Apprentissage externe Q1	4 ms	1 s
Apprentissage externe Q2	1 s	2 s

19.5 Alignement

Aligner le capteur sur l'objet. Choisir la position de sorte que le faisceau lumineux émis rouge touche l'objet en plein centre. S'assurer que l'ouverture optique (vitre frontale) du capteur est parfaitement dégagée [voir F]. Nous recommandons de procéder au réglage avec un objet peu réfléchissant.

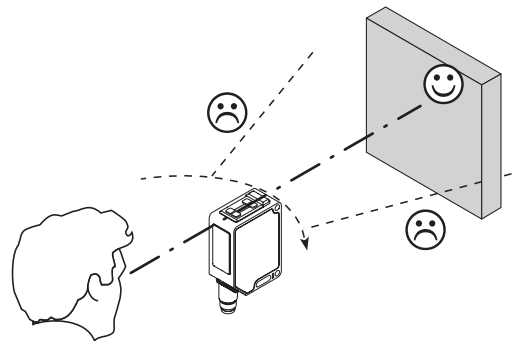


Illustration: E

20 Configuration

Effectuer la configuration :

20.1 Réglage de la sortie de commutation via la touche d'accès rapide à l'apprentissage (-/Q1) (+/Q2) (Set/Q3)

Appuyer sur la touche d'accès rapide à l'apprentissage > 1 s pour régler la distance de commutation.



REMARQUE

La touche d'accès rapide à l'apprentissage (Set/Q3) n'est active que si dans le menu MF l'option du menu **OUT** a été sélectionnée auparavant. Voir également la section [chapitre 20.2](#)

Ne pas appuyer sur les boutons d'apprentissage avec des objets pointus. Nous recommandons de régler la distance de commutation sur l'objet, par ex. voir le schéma F. Après le réglage de la distance de commutation, retirer l'objet de la trajectoire du faisceau, ce qui élimine l'arrière-plan et modifie la sortie de commutation (voir le schéma C).

Le capteur est réglé et prêt à l'emploi. Pour vérifier le fonctionnement, utiliser le schéma C. Si la sortie de commutation ne se comporte pas comme indiqué dans le schéma C, vérifier les conditions d'utilisation. Voir la section [chapitre 21](#).

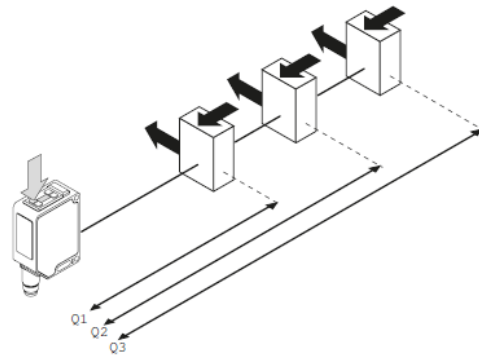


Illustration: F

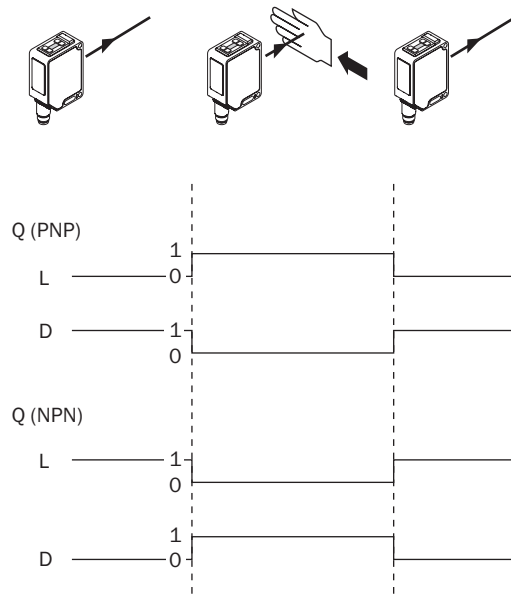


Illustration: C

20.2 Configurer la sortie de commutation ainsi que d'autres configurations du capteur via le menu

Alternativement, les sorties de commutation peuvent être configurées via le menu. Il est également possible d'effectuer d'autres configurations du capteur via le menu. L'accès au menu se fait en appuyant brièvement < 1 s sur la touche **Set/Q3**. Le graphique K décrit la navigation dans le menu.

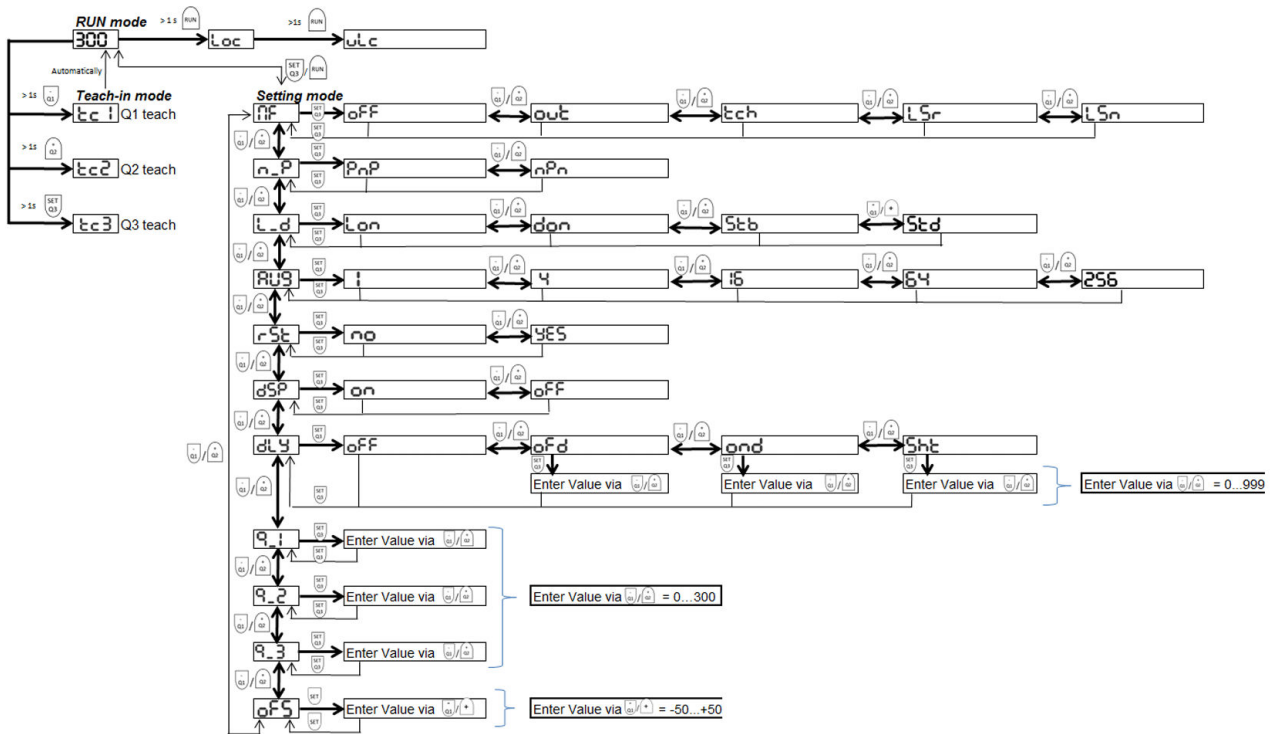


Illustration 3: K

Le tableau suivant explique les abréviations et indique les configurations possibles.

Tableau 3: Liste des paramètres d'apprentissage

Nom	Affichage	Description	Sélection de valeurs	Affichage	Valeur initiale	Description
MF	MF	Permet la configuration de l'entrée / la sortie multifonction.	OFF, OUT, TCH, LSR, LSN	oFF		L'entrée externe est sans fonction.
				out		Chez des appareils à 5 pôles : broche 5 respectivement le conducteur gris fonctionne comme sortie de commutation. Chez des appareils à 4 pôles : broche 2 fonctionne comme sortie de commutation.
				tch		L'entrée externe est une entrée d'apprentissage. Pour le fonctionnement, voir „Électronique“, page 31
				LSr	X	L'entrée externe sert de coupure du laser, high active.
				LSn		L'entrée externe sert de coupure du laser, low active.
N_P	n_P	Commutation mode PNP/NPN.	PNP, NPN	PnP	X	Les entrées et sorties se trouvent en mode PNP.
				nPn		Les entrées et sorties se trouvent en mode NPN.

Nom	Affichage	Description	Sélection de valeurs	Affichage	Valeur initiale	Description
L_D	L_d	Commutation clair/sombre	LON, DON, STB, STD	Lon	X	Commutation claire : la sortie de commutation s'allume lorsque l'objet se trouve plus près que la distance de commutation programmée.
				don		Commutation foncée : la sortie de commutation s'éteint lorsque l'objet se trouve plus près que la distance de commutation programmée.
				Stb		La sortie de commutation Q1 émet la stabilité de la détection des valeurs de mesure (correspond ainsi à l'affichage de stabilité des LED). Fonctionnement commutation claire
				Std		La sortie de commutation Q1 émet la stabilité de la détection des valeurs de mesure (correspond ainsi à l'affichage de stabilité des LED). Fonctionnement commutation sombre
AVG	AUG	Réglage de la moyenne arithmétique glissante	1, 4, 16, 64, 256	64	64	Règle le nombre de valeurs via lesquelles une moyenne arithmétique glissante est formée lors de l'émission du signal. Cela apaise l'émission de signaux. Les valeurs possibles sont 1, 4, 16, 64 ou 256 (par ex. 1 = pas de moyenne glissante, 256 = moyenne de 256 valeurs)
RST	rSt	Réinitialisation des réglages par défaut	NO, YES	no	X	Pas de réinitialisation.
				YES		Réinitialisation de toutes les valeurs qui passent aux valeurs par défaut à l'exception de la sélection PNP/NPN.
DSP	dSP	Réglages de l'affichage	ON, OFF	on	X	L'écran la valeur de la distance en cm.
				oFF		L'écran est éteint 30 secondes après la dernière activation d'une touche de commande.
DLY	dLY	Réglage fonctions temporelles pour sorties de commutation.	OFF, OFD, OND, SHT	oFF	X	Aucune fonction temporelle activée.
				oFd		Retard au déclenchement, réglable de 0 à 999 ms.
				ond		Retard à la mise sous tension, réglable de 0 à 999 ms.
				Sht		Single shot, réglable de 0 à 999 ms.

Nom	Affichage	Description	Sélection de valeurs	Affichage	Valeur initiale	Description
Q_1	q_1	Attribution de la distance à sortie de commutation Q1.	0 à 300	300	300	Plage de valeurs 0 à 300
Q_2	q_2	Attribution de la distance à sortie de commutation Q2.	0 à 300	300	300	Plage de valeurs 0 à 300
Q_3	q_3	Attribution de la distance à sortie de commutation Q3. (uniquement chez les appareils à 5 pôles)	0 à 300	300	300	Plage de valeurs 0 à 300
OFS	oFS	Définit l'Offset du seuil de commutation (cm) lors de l'apprentissage, par rapport à la valeur actuelle mesurée.	-50 à +50	0	0	Plage de valeurs -50 à +50

Lorsque les sorties de commutation sont configurées via le menu, adapter saisies Q_X.

Le menu est quitté en appuyant sur la touche **Run**.

20.3 Verrouillage des touches

Activer verrouillage : appuyer > 1 s sur la touche (Run)

Désactiver verrouillage : appuyer de nouveau > 1 s sur la touche (Run)

21 Élimination des défauts

21.1 Élimination des défauts

Le tableau Élimination des défauts présente les mesures à appliquer si le capteur ne fonctionne plus.

21.2 Tableau de diagnostic rapide

LED d'état / image du défaut / LED indicator/fault pattern	Cause / Cause	Mesure / Mesures
La LED verte ne s'allume pas / Green LED does not light up	Pas de tension ou tension inférieure aux valeurs limites / No voltage or voltage below the limit values	Contrôler l'alimentation électrique, contrôler tous les branchements électriques (câbles et connexions) / Check the power supply, check all electrical connections (cables and plug connections)
La LED verte ne s'allume pas / Green LED does not light up	Coupures d'alimentation électrique / Voltage interruptions	S'assurer que l'alimentation électrique est stable et ininterrompue / Ensure there is a stable power supply without interruptions
La LED verte ne s'allume pas / Green LED does not light up	Le capteur est défectueux / Sensor is faulty	Si l'alimentation électrique est en bon état, remplacer le capteur / If the power supply is OK, replace the sensor
La LED jaune s'allume, pas d'objet dans la trajectoire du faisceau /	La distance entre le capteur et l'arrière-plan est trop faible /	Réduire la portée, voir le schéma F /

LED d'état / image du défaut / LED indicator/fault pattern	Cause / Cause	Mesure / Measures
Yellow LED lights up, no object in the path of the beam	/ Distance between the sensor and the background is too short	Reduce the sensing range, see graphic F
L'objet est dans la trajectoire du faisceau, la LED jaune ne s'allume pas / Object is in the path of the beam, yellow LED does not light up	La distance entre le capteur et l'objet est trop grande ou la portée est trop faible / Distance between the sensor and the object is too long or sensing range is set too short	Augmenter la portée, voir le schéma F / Increase the sensing range, see graphic F

22 Caractéristiques techniques

22.1 Caractéristiques techniques

	WTT190L-Kxxx
Classe laser	1
Distance de commutation	0.2 ... 3.0 m ¹⁾
Portée max.	0.2 ... 3.0 m ¹⁾
Diamètre spot / distance	~ 12.0 mm / 3.0 m
Tension d'alimentation U _v	DC 10 ... 30 V ²⁾
Courant de sortie I _{max.}	≤ 100 mA
Commutation max.	AVG 1: 833 Hz, AVG 4: 500 Hz, AVG 16: 147 Hz, AVG 64: 38 Hz, AVG 256: 10 Hz ^{3) 4)5)}
Temps de réponse max.	AVG 1: 0.6 ms, AVG 4: 1 ms, AVG 16: 3.4 ms, AVG 64: 13 ms, AVG 256: 51.4 ms ^{6) 4)5)}
Indice de protection	IP 67
Classe de protection	III
Protections électriques	A, B, C ⁷⁾
Température de service	-30 ... +50 °C ⁸⁾
¹⁾ Objet avec 6 % ... 90 % de réémission (par rapport au blanc standard selon DIN 5033) ²⁾ Valeurs limites ; fonctionnement sur réseau protégé contre les courts-circuits max. 8 A ; ondulation résiduelle max. 5 Vcc ³⁾ Pour un rapport clair/sombre de 1:1 ⁴⁾ Peut être influencé via filtre de valeur moyenne. ⁵⁾ En fonction de la distance à l'objet, de la distance à l'arrière-plan et du seuil de commutation sélectionné ⁶⁾ Temps de propagation du signal sur charge ohmique ⁷⁾ A = raccordements UV protégés contre les inversions de polarité B = entrées et sorties protégées contre les inversions de polarité C = Suppression des impulsions parasites ⁸⁾ Sous TU < 10 °C: temps de préchauffage < 10 min; UV ≥ 24 V.	

23 Démontage et mise au rebut

La mise au rebut du capteur doit respecter la réglementation nationale en vigueur. Dans le cadre de la mise au rebut, veiller à recycler les matériaux (notamment les métaux précieux).

24 Maintenance

Les capteurs SICK ne nécessitent aucune maintenance.

Nous vous recommandons de procéder régulièrement

- au nettoyage des surfaces optiques
- au contrôle des vissages et des connexions enfichables

Ne procéder à aucune modification sur les appareils.

Sujet à modification sans préavis. Les caractéristiques du produit et techniques fournies ne sont pas une déclaration de garantie.

Produto descrito

PowerProx Small Teach-in - WTT190L-Kxxxx

Fabricante

SICK AG
Erwin-Sick-Str. 1
79183 Waldkirch
Alemanha

Notas legais

Reservados os direitos autorais do presente documento. Todos os direitos permanecem em propriedade da empresa SICK AG. A reprodução total ou parcial desta obra só é permitida dentro dos limites regulamentados pela Lei de Direitos Autorais. É proibido alterar, resumir ou traduzir esta obra sem a autorização expressa e por escrito da SICK AG.

As marcas citadas neste documento são de propriedade de seus respectivos proprietários.

© SICK AG. Todos os direitos reservados

Documento original

Este é um documento original da SICK AG.




Índice

25	Para a sua segurança.....	42
25.1	Notas de segurança.....	42
26	Descrição do produto.....	42
26.1	Especificações de uso.....	42
26.2	Desenho dimensional.....	43
27	Colocação em operação.....	43
27.1	Verificar as condições de uso:.....	43
27.2	Montagem.....	44
27.3	Sistema eletrônico.....	44
27.4	Modo de funcionamento da entrada programável.....	45
27.5	Alinhamento.....	45
28	Configuração.....	45
28.1	Ajuste da saída de comutação através da tecla de acesso rápido Teach-in (-/Q1) (+/Q2) (Set/Q3).....	45
28.2	Configuração das saídas de comutação e outras parametrizações do sensor através do menu.....	46
28.3	Bloqueio da tecla.....	49
29	Eliminação de falhas.....	49
29.1	Eliminação de falhas.....	49
29.2	Tabela Diagnóstico de erros.....	49
30	Dados técnicos.....	50
30.1	Dados técnicos.....	50
31	Desmontagem e descarte.....	51
32	Manutenção.....	51

25 Para a sua segurança

25.1 Notas de segurança

- Ler as instruções de operação antes da colocação em funcionamento.
- A conexão, a montagem e o ajuste devem ser executados somente por pessoal técnico qualificado.
- Os componentes de segurança não se encontram em conformidade com a Diretiva Europeia de Máquinas.
- UL: Somente na utilização em aplicações de acordo com NFPA 79. Estes dispositivos devem ser protegidos por um fusível de 1 A adequado para 30 VCC. Estão disponíveis adaptadores listados pela UL com cabos de conexão. Enclosure type 1.
- Durante o funcionamento, manter o aparelho protegido contra impurezas e umidade.
- Este manual de instruções contém informações necessárias para toda a vida útil do sensor.

LASERKLASSE 1	
	Laser 1
EN/IEC 60825-1:2014 IEC60825-1:2007	
Maximum pulse power < 64 mW Puls length: 9 ns Wavelength: 650 nm	
Complies with 21 CFR 1040.10 and 1040.11 except for deviations pursuant to Laser Notice No. 50, dated June 24, 2007	



ATENÇÃO

ATENÇÃO: Intervenções ou manipulações, ou o uso contrário às especificações podem levar a uma carga perigosa por radiação laser.

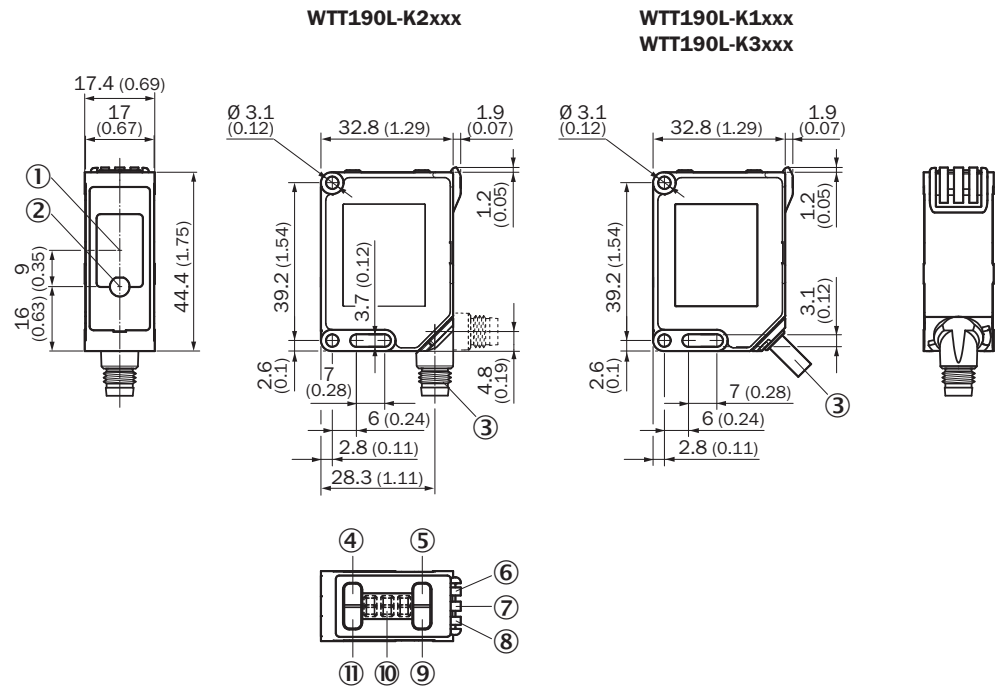
26 Descrição do produto

26.1 Especificações de uso

O WTT190L-Kxxxx é um sensor optoeletrônico de reflexão (a seguir denominado “sensor”) utilizado para a detecção ótica e sem contato de objetos. Qualquer utilização diferente ou alterações do produto ocasionam a perda da garantia da SICK AG.

Sensor fotoelétrico de reflexão com supressão do fundo e emissão analógica do valor de distância.

26.2 Desenho dimensional



- ① Receptor
- ② Emissor
- ③ Conexão
- ④ Tecla RUN
- ⑤ Tecla (+/Q2)
- ⑥ Indicador de saída (laranja)
- ⑦ Indicador de estabilidade (verde/vermelho), indicador Q3 saída (laranja)
- ⑧ Indicador de saída (laranja)
- ⑨ Tecla (-/Q1)
- ⑩ Indicação
- ⑪ Tecla (SET/Q3)

27 Colocação em operação

27.1 Verificar as condições de uso:

Verificar as condições de uso: equiparar a distância de comutação e distância até o objeto ou plano de fundo, bem como a refletividade do objeto, com o respectivo diagrama [cp. H1, H2] (x = distância de comutação, y = distância mínima entre o objeto e o plano de fundo em mm (luminescência do objeto /luminescência do fundo)). Luminescência: 6% = preto, 90% = branco (com base no padrão branco da norma DIN 5033).

A distância mínima ($= y$) para a supressão do fundo pode ser obtida do diagrama [cp. H1⑤] como a seguir:

Exemplo : $x = 1000$ mm, $y = 20$ mm. Isto significa que o objeto suprime o plano de fundo a partir de uma distância > 20 mm.

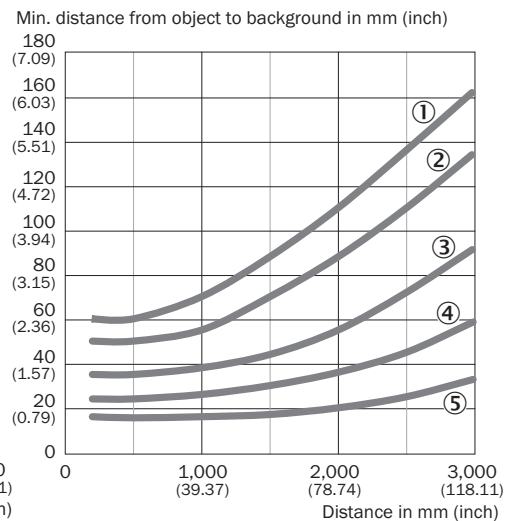
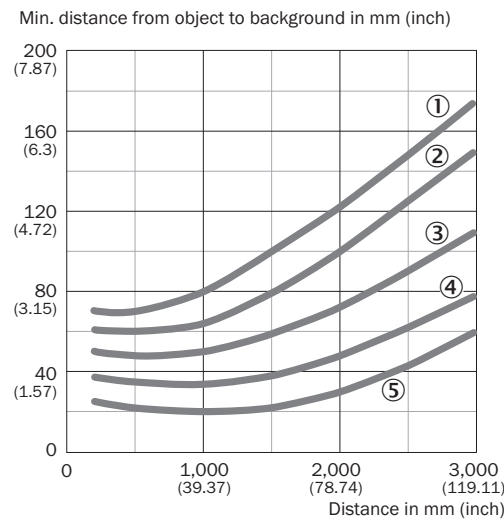


Figura: H-1 - Small teach and analog 6%/90%

Figura: H-2 - Small teach and analog 90%/90%

- ① 6%/90% AVG1
- ② 6%/90% AVG4
- ③ 6%/90% AVG16
- ④ 6%/90% AVG64
- ⑤ 6%/90% AVG256

- ① 90%/90% AVG1
- ② 90%/90% AVG4
- ③ 90%/90% AVG16
- ④ 90%/90% AVG64
- ⑤ 90%/90% AVG256

27.2 Montagem

Montar o sensor numa cantoneira de fixação adequada (ver linha de acessórios da SICK).

Observar o torque de aperto máximo permitido de 0.8 Nm para o sensor.

Observar a direção preferencial do objeto em relação ao sensor [cp. F].

27.3 Sistema eletrônico

A conexão dos sensores deve ser realizada em estado desenergizado ($U_V = 0\text{ V}$). Conforme o tipo de conexão, devem ser observadas as informações contidas nos gráficos [compare B]:

- Conector: Pin-out
- Cabo: Cor dos fios

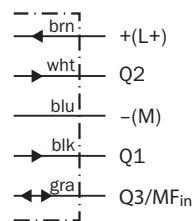


Figura: B - WTT190L-K15x4



Figura: B-2 - -K35x4



Figura: B-3 - K22x3

Instalar ou ligar a alimentação de tensão ($U_V > 0\text{ V}$) somente após a conexão de todas as conexões elétricas. O indicador LED verde está aceso no sensor.

Explicações relativas ao esquema de conexões (Gráfico B):

MF_{in} = Multifuncional, entrada programável.

27.4 Modo de funcionamento da entrada programável

		Valor	Observação
Modo PNP	Inativo	< 5,0 V	Também inativo quando não conectado
	Ativo	> 10,0 V	Tensão máxima aplicada não superior a UV
Modo NPN	Inativo	> 10,0 V	Tensão máxima aplicada não superior a UV
	Ativo	< 4,0 V	Também ativo quando não conectado

A entrada programável deve ser ativa para os tempos dados abaixo (por exemplo, no modo PNP $U > 10,0\text{ V}$) para configurar as funções correspondentes. As funções disponíveis e a sua seleção pelo menu podem ser consultadas em „Configuração das saídas de comutação e outras parametrizações do sensor através do menu“, página 46

Função	Duração mínima	Duração máxima
Desligamento do laser	4 ms	-
Teach externo Q1	4 ms	1 s
Teach externo Q2	1 s	2 s

27.5 Alinhamento

Alinhar o sensor ao objeto. Selecionar o posicionamento de forma que o feixe da luz de emissão vermelha incida sobre o centro do objeto. Certificar-se de que a abertura óptica (vidro frontal) do sensor esteja completamente livre [cp. F]. Recomendamos efetuar o ajuste com um objeto de baixa luminescência.

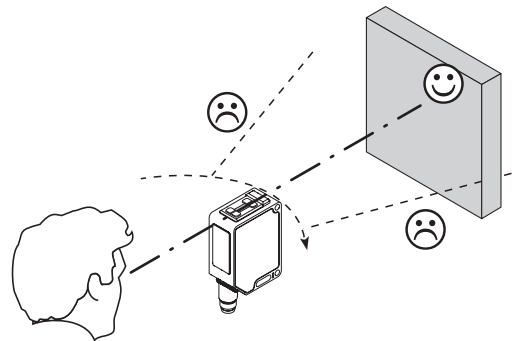


Figura: E

28 Configuração

Efetuar parametrização:

28.1 Ajuste da saída de comutação através da tecla de acesso rápido Teach-in (-/Q1) (+/Q2) (Set/Q3)

O ajuste da distância de comutação é efetuado pressionando-se a tecla de acesso rápido Teach-in por > 1 s.



NOTA

A tecla de acesso rápido Teach-in (Set/Q3) só estará ativa se tiver sido selecionada antes a opção **OUT** no item de menu **MF**. Ver o item [capítulo 28.2](#)

Não acionar as teclas Teach-in com objetos pontiagudos. Recomendamos posicionar a distância de comutação no objeto, por ex., como no gráfico F. Após o ajuste da distância de comutação, o objeto é removido do caminho óptico, o fundo é suprimido e a saída de comutação se altera (ver gráfico C).

O sensor está ajustado e operacional. Utilizar o gráfico C para verificar o funcionamento. Se a saída de comutação não se comportar de acordo com o gráfico C, verificar as condições de uso. Ver o item [capítulo 29](#).

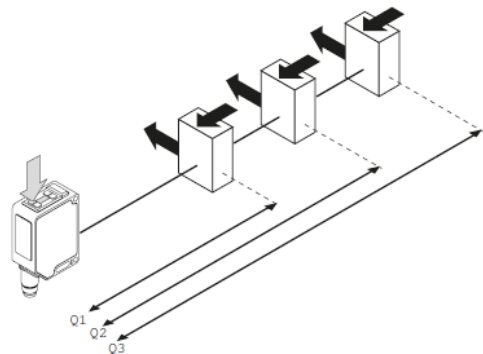


Figura: F

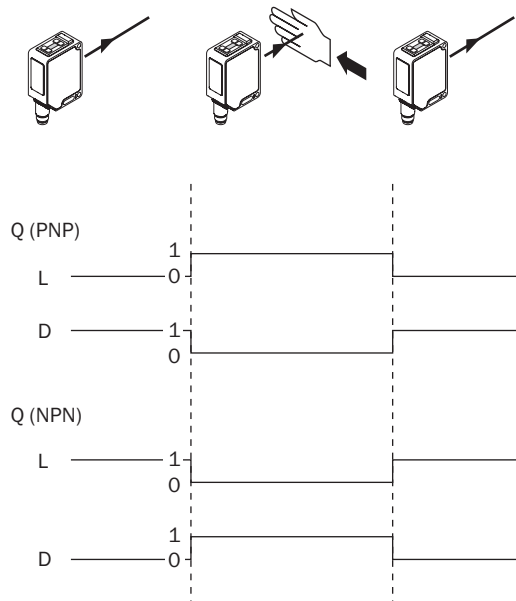


Figura: C

28.2 Configuração das saídas de comutação e outras parametrizações do sensor através do menu

Como alternativa, as saídas de comutação também podem ser configuradas através do menu. Também é possível efetuar outras parametrizações do sensor através do menu. Para o acesso ao menu, a tecla **Set/Q3** deve ser pressionada por < 1 s. O gráfico K descreve a navegação no menu.

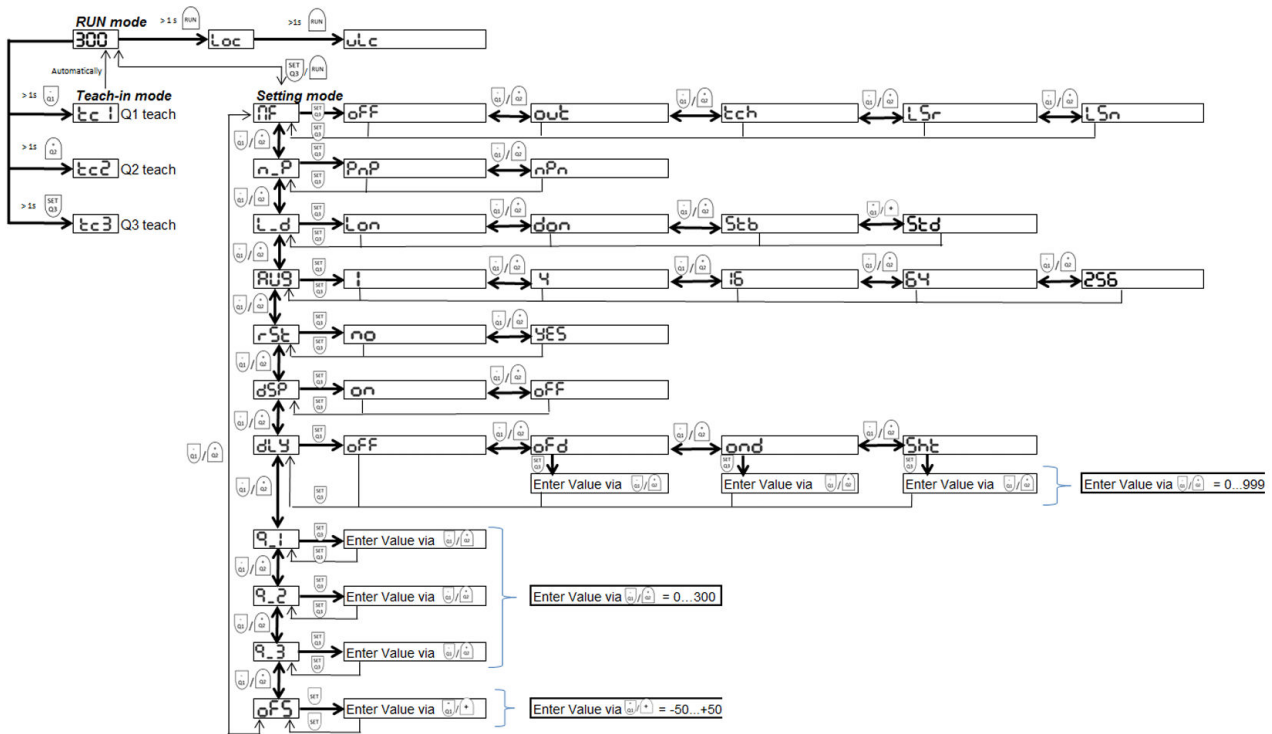


Figura 4: K

A tabela abaixo explica as abreviações e mostra as configurações possíveis.

Tabela 4: Lista de parâmetros de teach

Nome	Indicação	Descrição	Seleção do valor	Indicação	Valor inicial	Descrição
MF	MF	Permite a parametrização da entrada/saída multifuncional.	OFF, OUT, TCH, LSR, LSN	off		A saída externa não tem função.
				out		Em dispositivos de 5 pinos: pino 5 ou o fio cinza funciona como saída de comutação. Em dispositivos de 4 pinos: pino 2 funciona como saída de comutação.
				tch		A saída externa é uma entrada teach. Sobre o modo de funcionamento ver „Sistema eletrônico“, página 44
				LSr	X	A saída externa funciona como desativação do laser, high ativo.
				LSn		A saída externa funciona como desativação do laser, low ativo.
N_P	n_P	Comutação de modo PNP/ NPN.	PNP, NPN	PnP	X	Entradas e saídas estão no modo PNP.
				nPn		Entradas e saídas estão no modo NPN.

Nome	Indicação	Descrição	Seleção do valor	Indicação	Valor inicial	Descrição
L_D	L_d	Mudança da comutação por sombra/luz	LON, DON, STB, STD	Lon	X	Comutação por luz: a saída de comutação liga, quando o objeto se encontra mais próximo que a distância de comutação aprendida.
				don		Comutação por sombra: a saída de comutação desliga, quando o objeto se encontra mais próximo que a distância de comutação aprendida.
				Stb		A saída de comutação Q1 emite a estabilidade do registro do valor medido (correspondendo ao indicador de estabilidade LED). Modo de funcionamento comutação por luz.
				Std		A saída de comutação Q1 emite a estabilidade do registro do valor medido (correspondendo ao indicador de estabilidade LED). Modo de funcionamento comutação por sombra.
AVG	AUG	Configuração da média aritmética móvel	1, 4, 16, 64, 256	64	64	Configura a quantidade de valores para construir uma média aritmética móvel na saída de sinal. Isso “acalma” a saída de sinal. Os valores possíveis são 1, 4, 16, 64 ou 256 (p. ex., 1 = não há construção da média, 256 = média entre 256 valores)
RST	rSt	Reposição à configuração de fábrica	NO, YES	no	X	Não há reposição.
				YES		Reposição de todos os valores à configuração de fábrica, exceto a seleção de PNP/NPN.
DSP	dSP	Configurações do display	ON, OFF	on	X	Display exhibe valor de distância em cm.
				oFF		Display é desligado 30 segundos depois do último acionamento de uma tecla de operação.
DLY	dLY	Configuração de funções de tempo para as saídas de comutação.	OFF, OFD, OND, SHT	oFF	X	Nenhuma função de tempo ativada.
				oFd		Atraso de desligamento, configurável de 0 ... 999 ms.
				ond		Atraso de ligação, configurável de 0 ... 999 ms.
				Sht		Single shot, configurável de 0 ... 999 ms.

Nome	Indicação	Descrição	Seleção do valor	Indicação	Valor inicial	Descrição
Q_1	q_1	Atribuição da distância à saída de comutação Q1.	0...300	300	300	Faixa de valores 0...300
Q_2	q_2	Atribuição da distância à saída de comutação Q2.	0...300	300	300	Faixa de valores 0...300
Q_3	q_3	Atribuição da distância à saída de comutação Q3. (somente em dispositivos de 5 pinos)	0...300	300	300	Faixa de valores 0...300
OFS	oFS	Define o offset do limite de comutação (cm) no Teach-In, relativo ao atual valor medido.	-50...+50	0	0	Faixa de valores -50...+50

As entradas Q_X devem ser adaptadas, caso as saídas de comutação devam ser configuradas através do menu.

Para sair do menu, pressionar a tecla **Run**.

28.3 Bloqueio da tecla

Ativar o bloqueio da tecla: pressionar a tecla (Run) por > 1 s

Desativar o bloqueio da tecla: pressionar de novo a tecla (Run) por > 1 s

29 Eliminação de falhas

29.1 Eliminação de falhas

A tabela Eliminação de falhas mostra as medidas a serem executadas, quando o sensor não estiver funcionando.

29.2 Tabela Diagnóstico de erros

Indicador LED / padrão de erro / LED indicator/fault pattern	Causa / Cause	Medida / Measures
LED verde apagado / Green LED does not light up	Sem tensão ou tensão abaixo dos valores-limite / No voltage or voltage below the limit values	Verificar a alimentação de tensão, verificar toda a conexão elétrica (cabos e conectores) / Check the power supply, check all electrical connections (cables and plug connections)
LED verde apagado / Green LED does not light up	Interrupções de tensão / Voltage interruptions	Assegurar uma alimentação de tensão estável sem interrupções / Ensure there is a stable power supply without interruptions
LED verde apagado / Green LED does not light up	Sensor está com defeito / Sensor is faulty	Se a alimentação de tensão estiver em ordem, substituir o sensor / If the power supply is OK, replace the sensor
LED amarelo aceso, nenhum objeto no caminho óptico /	Distância entre sensor e fundo é pequena demais /	Reduzir a distância de comutação, ver gráfico F /

Indicador LED / padrão de erro / LED indicator/fault pattern	Causa / Cause	Medida / Measures
Yellow LED lights up, no object in the path of the beam	/ Distance between the sensor and the background is too short	Reduce the sensing range, see graphic F
Objeto está no caminho óptico, LED amarelo apagado / Object is in the path of the beam, yellow LED does not light up	Distância entre sensor e objeto é grande demais ou distância de comutação foi ajustada para um valor baixo demais / Distance between the sensor and the object is too long or sensing range is set too short	Aumentar a distância de comutação, ver gráfico F / Increase the sensing range, see graphic F

30 Dados técnicos

30.1 Dados técnicos

	WTT190L-Kxxx
Classe de laser	1
Distância de comutação	0.2 ... 3.0 m ¹⁾
Distância de comutação máx.	0.2 ... 3.0 m ¹⁾
Diâmetro do ponto de luz/distância	~ 12.0 mm / 3.0 m
Tensão de alimentação U _v	DC 10 ... 30 V ²⁾
Corrente de saída I _{max}	≤ 100 mA
Sequência máx. de comutação	AVG 1: 833 Hz, AVG 4: 500 Hz, AVG 16: 147 Hz, AVG 64: 38 Hz, AVG 256: 10 Hz ^{3) 4)5)}
Tempo máx. de resposta	AVG 1: 0.6 ms, AVG 4: 1 ms, AVG 16: 3.4 ms, AVG 64: 13 ms, AVG 256: 51.4 ms ^{6) 4)5)}
Tipo de proteção	IP 67
Classe de proteção	III
Circuitos de proteção	A, B, C ⁷⁾
Temperatura ambiente de funcionamento	-30 ... +50 °C ⁸⁾
<p>¹⁾ Objeto a ser detectado com 6 % ... 90% de luminância (com base no padrão branco DIN 5033) ²⁾ Valores limite; funcionamento com rede à prova de curto-circuito máx. 8 A; ondulação residual máx. 5 Vss ³⁾ Com proporção sombra/luz 1:1 ⁴⁾ Pode ser influenciado por meio do filtro de valor médio. ⁵⁾ Dependendo da distância até o objeto, distância ao fundo e limiar de comutação selecionado ⁶⁾ Tempo de funcionamento do sinal com carga ôhmica ⁷⁾ A = conexões protegidas contra inversão de pólos UV B = Entradas e saídas protegidas contra polaridade inversa C = Supressão de impulsos parasitas ⁸⁾ A uma TU < -10 °C: tempo de aquecimento < 10 min; UV>=24 V.</p>	

31 Desmontagem e descarte

O descarte do sensor deve ser efetuado de acordo com as normas aplicáveis específicas de cada país. No âmbito do descarte, deve-se procurar o aproveitamento dos materiais recicláveis contidos (principalmente dos metais nobres).

32 Manutenção

Os sensores SICK não requerem manutenção.

Recomendamos que se efetue em intervalos regulares

- uma limpeza das superfícies ópticas
- uma verificação das conexões roscadas e dos conectores

Não são permitidas modificações no aparelho.

Sujeito a alterações sem aviso prévio. As propriedades do produto e os dados técnicos especificados não constituem nenhum certificado de garantia.

Teach-in PowerProx Small - WTT190L-Kxxxx

Sensore fotoelettrico MultiTask

SICK
Sensor Intelligence.



de
en
es
fr
it
ja
pt
ru
zh

Descrizione prodotto

Teach-in PowerProx Small - WTT190L-Kxxxx

Produttore

SICK AG
Erwin-Sick-Str. 1
79183 Waldkirch
Germania

Note legali

Questo manuale è protetto dai diritti d'autore. I diritti che ne conseguono rimangono alla ditta SICK. Il manuale o parti di esso possono essere fotocopiati esclusivamente entro i limiti previsti dalle disposizioni di legge in materia di diritti d'autore. Non è consentito modificare, abbreviare o tradurre il presente manuale senza previa autorizzazione scritta della ditta SICK AG.

I marchi riportati nel presente manuale sono di proprietà del rispettivo proprietario.

© SICK AG. Tutti i diritti riservati.

Documento originale

Questo documento è un originale della ditta SICK AG.




Indice

33	Norme di sicurezza.....	55
33.1	Avvertenze sulla sicurezza.....	55
34	Descrizione del prodotto.....	55
34.1	Uso conforme alle disposizioni.....	55
34.2	Disegno quotato.....	56
35	Messa in funzione.....	56
35.1	Controllare le condizioni d'impiego:.....	56
35.2	Montaggio.....	57
35.3	Elettronica.....	57
35.4	Funzionamento dell'ingresso programmabile.....	58
35.5	Orientamento.....	58
36	Configurazione.....	58
36.1	Regolazione dell'uscita di commutazione tramite pulsante di accesso veloce Teach-in (-/Q1) (+/Q2) (Set/Q3).....	58
36.2	Regolazione delle uscite di commutazione e di altre parametrizza- zioni del sensore tramite il menù.....	59
36.3	Bloccaggio pulsante.....	62
37	Eliminazione difetti.....	62
37.1	Eliminazione difetti.....	62
37.2	Tabella diagnostica anomalie.....	62
38	Dati tecnici.....	63
38.1	Dati tecnici.....	63
39	Smontaggio e smaltimento.....	64
40	Manutenzione.....	64

33 Norme di sicurezza

33.1 Avvertenze sulla sicurezza

- Prima della messa in funzionamento leggere le istruzioni per l'uso.
- Allacciamento, montaggio e regolazione solo a cura di personale tecnico specializzato.
- Nessun componente di sicurezza ai sensi della direttiva macchine UE.
- UL: Solo per l'utilizzo in applicazioni ai sensi di NFPA 79. Questi dispositivi devono essere protetti con fusibile 1 A idoneo per 30 V dc. Sono disponibili adattatori elencati da UL con cavi di collegamento. Enclosure type 1.
- Alla messa in funzionamento proteggere l'apparecchio dall'umidità e dalla sporcizia.
- Queste istruzioni per l'uso contengono le informazioni che sono necessarie durante il ciclo di vita del sensore fotoelettrico. deTec4 core

LASERKLASSE 1	
	Laser 1
EN/IEC 60825-1:2014 IEC60825-1:2007	
Maximum pulse power < 64 mW Puls length: 9 ns Wavelength: 650 nm	
Complies with 21 CFR 1040.10 and 1040.11 except for deviations pursuant to Laser Notice No. 50, dated June 24, 2007	



ATTENZIONE

ATTENZIONE: interventi o manipolazioni o un uso non conforme alle indicazioni può provocare un carico pericoloso dovuto al raggio di luce laser.

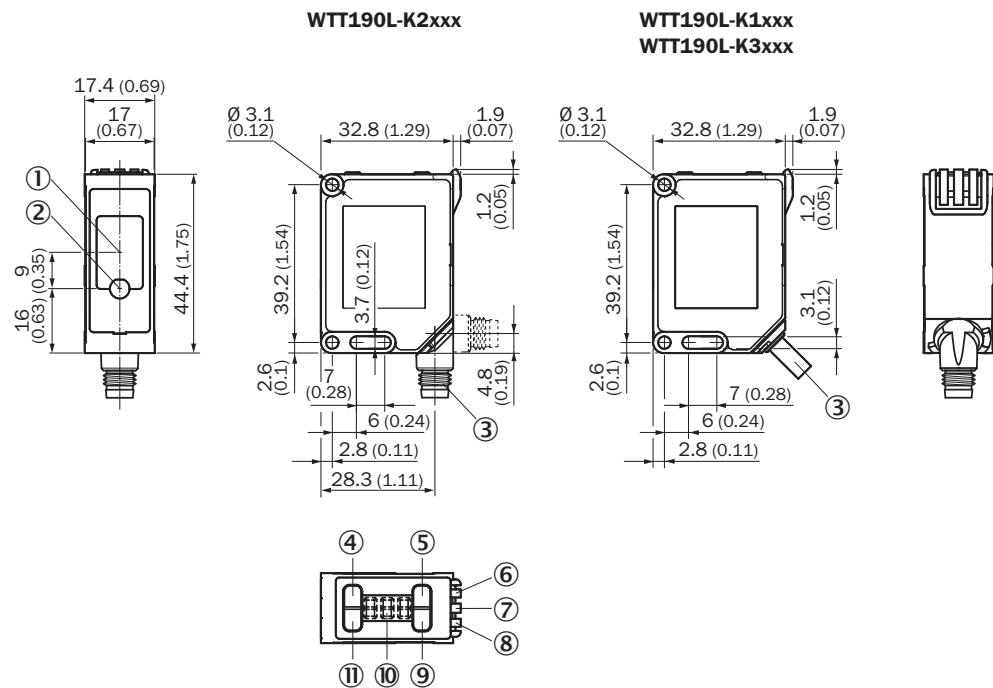
34 Descrizione del prodotto

34.1 Uso conforme alle disposizioni

WTT190L-Kxxxx è un sensore fotoelettrico energetico (di seguito detto sensore) utilizzato per il rilevamento ottico senza contatto di oggetti. Se viene utilizzato diversamente e in caso di modifiche del prodotto, decade qualsiasi diritto alla garanzia nei confronti di SICK.

Sensore fotoelettrico energetico con soppressione di sfondo ed emissione analogica di distanza.

34.2 Disegno quotato



- ① Ricevitore
- ② Emittitore
- ③ Tipo di connessione
- ④ Pulsante RUN
- ⑤ (+/Q2) Pulsante
- ⑥ Visualizzazione uscita (arancione)
- ⑦ Visualizzazione stabilità (verde / rosso), visualizzazione uscita Q3 (arancione)
- ⑧ Visualizzazione uscita (arancione)
- ⑨ (-/Q1) Pulsante
- ⑩ Indicatore
- ⑪ (SET/Q3) Pulsante

35 Messa in funzione

35.1 Controllare le condizioni d'impiego:

Controllare le condizioni d'impiego: predisporre la distanza di lavoro e la distanza dall'oggetto o dallo sfondo nonché il coefficiente di riflessione dell'oggetto in base al relativo diagramma [cfr. H1, H2] (x = distanza di comunicazione, y = distanza minima tra oggetto e sfondo in mm (coefficiente di riflessione oggetto / coefficiente di riflessione sfondo)). Coefficiente di riflessione: 6% = nero, 90% = bianco (riferito al bianco standard secondo DIN 5033).

La distanza minima ($= y$) per la soppressione di sfondo può essere letta dal diagramma [cfr. H1⑤] come segue:

Esempio: $x = 1.000$ mm, $y = 20$ mm. Questo significa che lo sfondo viene soppresso a partire da una distanza > 20 mm dall'oggetto.

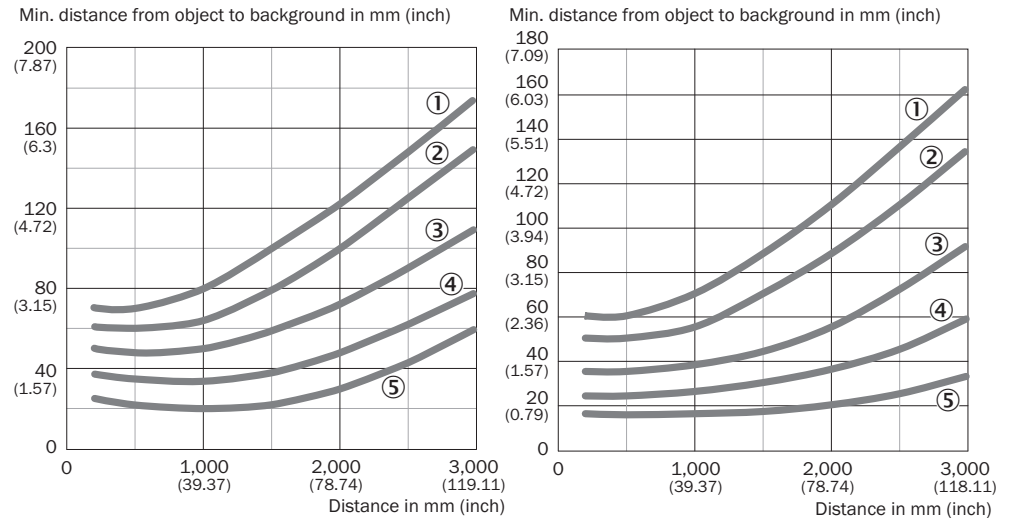


Figura: H-1 - Small teach and analog 6%/90% Figura: H-2 - Small teach and analog 90%/90%

- ① 6%/90% AVG1
- ② 6%/90% AVG4
- ③ 6%/90% AVG16
- ④ 6%/90% AVG64
- ⑤ 6%/90% AVG256

- ① 90%/90% AVG1
- ② 90%/90% AVG4
- ③ 90%/90% AVG16
- ④ 90%/90% AVG64
- ⑤ 90%/90% AVG256

35.2 Montaggio

Montare il sensore su una staffa di fissaggio adatta (vedi il programma per accessori SICK).

Rispettare il momento torcente massimo consentito del sensore di 0.8Nm.

Rispettare la direzione preferenziale dell'oggetto in relazione al sensore [cfr. F].

35.3 Elettronica

Il collegamento dei sensori deve avvenire in assenza di tensione ($U_V = 0 V$). In base al tipo di collegamento si devono rispettare le informazioni nei grafici [cfr. B]:

- Collegamento a spina: assegnazione pin
- Cavo: colore filo

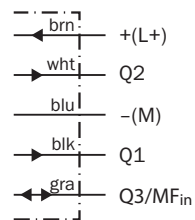


Figura: B - WTT190L-K15x4



Figura: B-2 - -K35x4

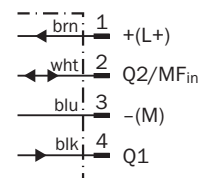


Figura: B-3 - K22x3

Solamente in seguito alla conclusione di tutti i collegamenti elettrici, ripristinare o accendere l'alimentazione elettrica ($U_V > 0 V$). Sul sensore si accende l'indicatore LED verde.

Spiegazioni dello schema di collegamento (grafico B):

MF_{in} = multifunzione, entrata programmabile.

35.4 Funzionamento dell'ingresso programmabile

		Valore	Nota
Modalità PNP	Inattivo	< 5,0 V	Anche inattivo se non collegato
	Attivo	> 10,0 V	Tensione applicata max. non superiore a UV
Modalità NPN	Inattivo	> 10,0 V	Tensione applicata max. non superiore a UV
	Attivo	< 4,0 V	Anche attivo se non collegato

L'ingresso programmabile deve essere attivo per i tempi qui di seguito riportati (p.es. in modalità PNP $U > 10,0$ V) allo scopo di impostare le corrispondenti funzioni. Le funzioni disponibili e la loro selezione tramite il menu sono riportate in „Regolazione delle uscite di commutazione e di altre parametrizzazioni del sensore tramite il menù“, pagina 59

Funzione	Durata minima	Durata massima
Spegnimento laser	4 ms	-
Teach esterno Q1	4 ms	1 s
Teach esterno Q2	1 s	2 s

35.5 Orientamento

Orientare il sensore sull'oggetto. Scegliere la posizione in modo tale che il raggio di luce rosso emesso colpisca il centro dell'oggetto. Fare attenzione affinché l'apertura ottica del sensore (frontalini) sia completamente libera [cfr. F]. Si consiglia di effettuare l'impostazione con un oggetto con basso coefficiente di riflessione.

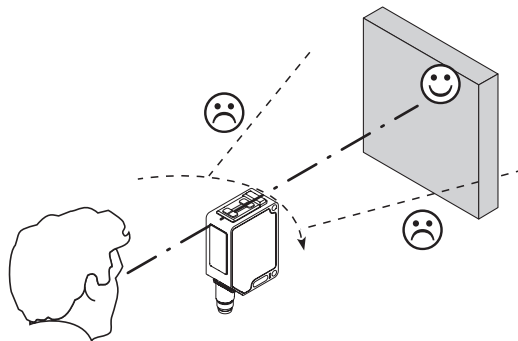


Figura: E

36 Configurazione

Eeguire la parametrizzazione:

36.1 Regolazione dell'uscita di commutazione tramite pulsante di accesso veloce Teach-in (-/Q1) (+/Q2) (Set/Q3)

Premendo il pulsante di accesso veloce Teach-in > 1 s viene impostata la distanza di lavoro.



INDICAZIONE

Il pulsante di accesso veloce Teach-in (Set/Q3) è attivo solo se prima nel punto menù MF è stata selezionata l'opzione **OUT**. Vedi a tale proposito il paragrafo [capitolo 36.2](#)

Non azionare il pulsante Teach-in con oggetti appuntiti. Si consiglia di fissare la distanza di lavoro nell'oggetto, ad es. vedi grafico F. Dopo l'impostazione della distanza di lavoro, allontanare l'oggetto dalla traiettoria del raggio, lo sfondo viene quindi soppresso e l'uscita di commutazione cambia (vedi grafico C).

Il sensore è impostato e pronto per il funzionamento. Per verificare il funzionamento, osservare il grafico C. Se l'uscita di commutazione non si comporta conformemente al grafico C, verificare le condizioni d'impiego. Vedi paragrafo [capitolo 37](#).

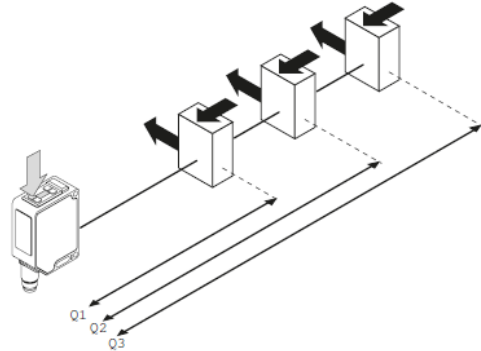


Figura: F

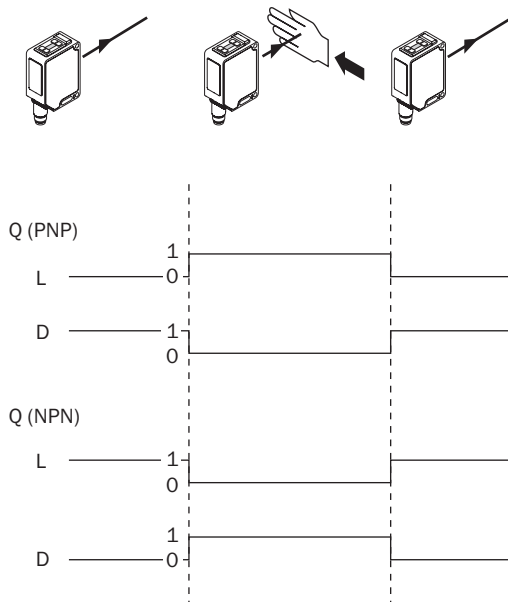


Figura: C

36.2 Regolazione delle uscite di commutazione e di altre parametrizzazioni del sensore tramite il menù

Le uscite di commutazione possono essere impostate alternativamente anche tramite il menù. Anche altre parametrizzazioni del sensore possono essere eseguite tramite il menù. L'accesso al menù avviene premendo brevemente < 1 s il pulsante **Set/Q3**. Il grafico K descrive la navigazione nel menù.

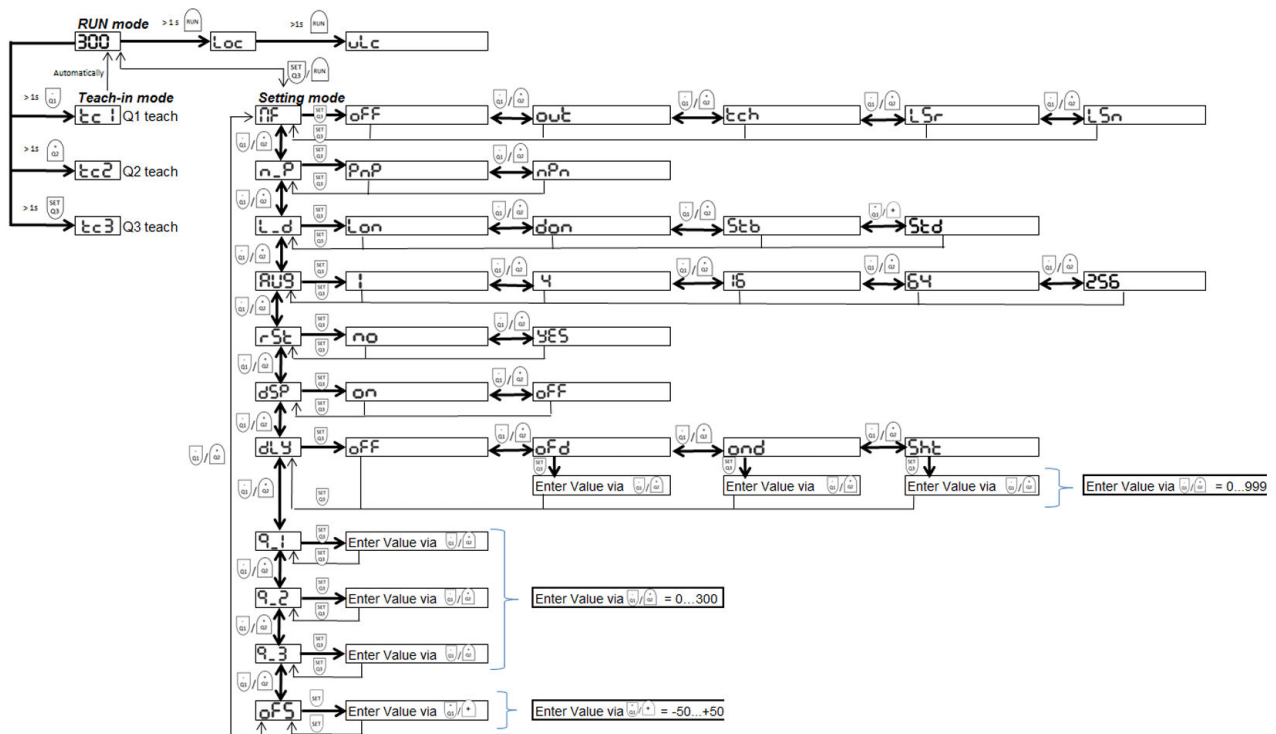


Figura 5: K

La tabella seguente spiega le abbreviazioni e mostra le possibili regolazioni.

Tabella 5: Lista dei parametri Teach

Nome	Indicatore	Descrizione	Selezione dei valori	Indicatore	Valore iniziale	Descrizione
MF	MF	Consente la parametrizzazione dell'uscita/entrata multifunzionale.	OFF, OUT, TCH, LSR, LSN	oFF		L'entrata esterna non ha funzioni.
				out		Nei dispositivi a 5 pin: il pin 5 o il filo grigio funziona come uscita di commutazione. Nei dispositivi a 4 pin: il pin 2 funziona come uscita di commutazione.
				tch		L'ingresso esterno è un ingresso Teach. Per il suo funzionamento v. „Elettronica“, pagina 57
				LSr	X	L'entrata esterna funziona come spegnimento laser high active.
				LSn		L'entrata esterna funziona come spegnimento laser low active.
N_P	n_P	Commutazione modalità PNP-/NPN.	PNP, NPN	PnP	X	Entrate e uscite sono in modalità PNP.
				nPn		Entrate e uscite sono in modalità NPN.
L_D	L_d	Tipo di commutazione funzionamento light on/dark on	LON, DON, STB, STD	Lon	X	Funzionamento light on: l'uscita di commutazione si accende se l'oggetto si trova

Nome	Indicatore	Descrizione	Selezione dei valori	Indicatore	Valore iniziale	Descrizione
						più vicino della distanza di lavoro a cui è applicato il teach.
				don		Funzionamento dark on: l'uscita di commutazione si accende se l'oggetto si trova più vicino della distanza di lavoro a cui è applicato il teach.
				Stb		L'uscita di commutazione Q1 emette la stabilità del rilevamento del valore di misurazione (corrisponde pertanto alla visualizzazione di stabilità LED). Funzionamento light on.
				Std		L'uscita di commutazione Q1 emette la stabilità del rilevamento del valore di misurazione (corrisponde pertanto alla visualizzazione di stabilità LED). Funzionamento dark on.
AVG	AUG	Regolazione valore medio aritmico flessibile	1, 4, 16, 64, 256	64	64	Regola il numero dei valori attraverso cui un valore medio aritmico flessibile viene costruito nell'emissione del segnale. Questo normalizza l'emissione del segnale. I valori possibili sono 1, 4, 16, 64 o 256 (ad es. 1 = nessuna formazione valore medio, 256 = valore medio attraverso 256 valori)
RST	rSt	Reset alle impostazioni di fabbrica	NO, YES	no	X	Nessun reset.
				YES		Reset di tutti i valori sulle impostazioni di fabbrica a eccezione della selezione PNP-/NPN.
DSP	dSP	Impostazioni display	ON, OFF	on	X	Il display mostra il valore di distanza in cm.
				oFF		Il display si spegne 30 secondi dopo l'ultima attivazione di un pulsante di comando.
DLY	dLY	Regolazione delle funzioni temporali per le uscite di commutazione.	OFF, OFD, OND, SHT	oFF	X	Nessuna funzione temporale attivata.
				oFd		Ritardo nello spegnimento, regolabile da 0 ... 999 ms.
				ond		Ritardo sull'avvio, regolabile da 0 ... 999 ms.
				Sht		Single shot, regolabile da 0 ... 999 ms.

Nome	Indicatore	Descrizione	Selezione dei valori	Indicatore	Valore iniziale	Descrizione
Q_1	q_1	Disposizione della distanza sull'uscita di commutazione Q1.	0...300	300	300	Campo valori 0...300
Q_2	q_2	Disposizione della distanza sull'uscita di commutazione Q2.	0...300	300	300	Campo valori 0...300
Q_3	q_3	Disposizione della distanza sull'uscita di commutazione Q3. (solo nei dispositivi a 5 pin)	0...300	300	300	Campo valori 0...300
OFS	oFS	Definisce l'offset della soglia di commutazione (cm) nel teach-in, riferito al valore attualmente misurato.	-50...+50	0	0	Campo valori -50...+50

Le uscite di commutazione devono essere regolate tramite il menù, adattare le registrazioni Q_X.

Si lascia il menù premendo il pulsante **Run**.

36.3 Bloccaggio pulsante

Blocco pulsanti attivo: premere il pulsante (Run) > 1 s

Blocco pulsanti disattivo: premere il pulsante (Run) > 1 s

37 Eliminazione difetti

37.1 Eliminazione difetti

La tabella di rimozione dei disturbi mostra quali provvedimenti si devono adottare quando il sensore non funziona più.

37.2 Tabella diagnostica anomalie

Indicatore LED / figura di errore / LED indicator/fault pattern	Causa / Cause	Provvedimento / Measures
Il LED verde non si accende / Green LED does not light up	nessuna tensione o tensione al di sotto del valore soglia / No voltage or voltage below the limit values	Verificare la tensione di alimentazione e/o il collegamento elettrico / Check the power supply, check all electrical connections (cables and plug connections)
Il LED verde non si accende / Green LED does not light up	Interruzioni di tensione / Voltage interruptions	Assicurarsi che ci sia un'alimentazione di tensione stabile / Ensure there is a stable power supply without interruptions
Il LED verde non si accende / Green LED does not light up	Il sensore è guasto / Sensor is faulty	Se l'alimentazione di tensione è regolare, allora chiedere una sostituzione del sensore / If the power supply is OK, replace the sensor

Indicatore LED / figura di errore / LED indicator/fault pattern	Causa / Cause	Provvedimento / Measures
il LED giallo si accende, nessun oggetto nella traiettoria del raggio / Yellow LED lights up, no object in the path of the beam	La distanza tra sensore e sfondo è inferiore alle capacità di funzionamento / Distance between the sensor and the background is too short	Diminuire la distanza di commutazione, vedi grafico F / Reduce the sensing range, see graphic F
L'oggetto è nella traiettoria del raggio, il LED giallo non si accende / Object is in the path of the beam, yellow LED does not light up	La distanza tra sensore e oggetto è troppo grande o la distanza di commutazione ha un'impostazione troppo bassa / Distance between the sensor and the object is too long or sensing range is set too short	Aumentare la distanza di commutazione, vedi grafico F / Increase the sensing range, see graphic F

38 Dati tecnici

38.1 Dati tecnici

	WTT190L-Kxxx
Classe laser	1
Distanza di commutazione	0.2 ... 3.0 m ¹⁾
Distanza max. di commutazione	0.2 ... 3.0 m ¹⁾
Diametro punto luminoso/distanza	~ 12.0 mm / 3.0 m
Tensione di alimentazione U _v	DC 10 ... 30 V ²⁾
Corrente di uscita I _{max}	≤ 100 mA
Sequenza di commutazione max.	AVG 1: 833 Hz, AVG 4: 500 Hz, AVG 16: 147 Hz, AVG 64: 38 Hz, AVG 256: 10 Hz ^{3) 4)5)}
Tempo di reazione max.	AVG 1: 0.6 ms, AVG 4: 1 ms, AVG 16: 3.4 ms, AVG 64: 13 ms, AVG 256: 51.4 ms ^{6) 4)5)}
Tipo di protezione	IP 67
Classe di protezione	III
Commutazioni di protezione	A, B, C ⁷⁾
Temperatura ambientale di funzionamento	-30 ... +50 °C ⁸⁾
¹⁾ Oggetto con il 6 % ... 90% di remissione (riferito al bianco standard DIN 5033) ²⁾ Valori limite; funzionamento in rete protetta da cortocircuito max. 8 A; ondulazione residua max. 5 V _{ss} ³⁾ Con rapporto chiaro / scuro 1:1 ⁴⁾ Può venire influenzato tramite filtro del valore medio. ⁵⁾ In funzione della distanza dall'oggetto, della distanza dallo sfondo e della soglia di commutazione selezionata ⁶⁾ Durata segnale con carico ohmico ⁷⁾ A = UV-Allacciamenti protetti dall'inversione di polarità B = entrate e uscite protette da polarità inversa C = Soppressione impulsi di disturbo ⁸⁾ Con TU < -10 °C: tempo di riscaldamento < 10 min; UV>=24 V.	

39 Smontaggio e smaltimento

Lo smaltimento del sensore deve avvenire conformemente alle direttive previste specificatamente dal paese. Per i materiali riciclabili in esso contenuti (in particolare metalli nobili) si auspica un riciclaggio nell'ambito dello smaltimento.

40 Manutenzione

I sensori SICK sono esenti da manutenzione.

A intervalli regolari si consiglia di

- pulire le superfici limite ottiche
- Verificare i collegamenti a vite e gli innesti a spina

Non è consentito effettuare modifiche agli apparecchi.

Contenuti soggetti a modifiche senza preavviso. Le proprietà del prodotto e le schede tecniche indicate non costituiscono una dichiarazione di garanzia.

PowerProx Small Teach-in - WTT190L-Kxxx

Fotocélula MultiTask

SICK
Sensor Intelligence.



de
en
es
fr
it
ja
pt
ru
zh

Producto descrito

PowerProx Small Teach-in - WTT190L-Kxxxx

Fabricante

SICK AG
Erwin-Sick-Str. 1
79183 Waldkirch
Alemania

Información legal

Este documento está protegido por la legislación sobre la propiedad intelectual. Los derechos derivados de ello son propiedad de SICK AG. Únicamente se permite la reproducción total o parcial de este documento dentro de los límites establecidos por las disposiciones legales sobre propiedad intelectual. Está prohibida la modificación, abreviación o traducción del documento sin la autorización expresa y por escrito de SICK AG.

Las marcas mencionadas en este documento pertenecen a sus respectivos propietarios.

© SICK AG. Reservados todos los derechos.

Documento original

Este es un documento original de SICK AG.




Índice

41	Para su seguridad.....	68
41.1	Instrucciones de seguridad.....	68
42	Descripción del producto.....	68
42.1	Uso conforme a lo previsto.....	68
42.2	Dibujo acotado.....	69
43	Puesta en marcha.....	69
43.1	Comprobar las condiciones de aplicación:.....	69
43.2	Montaje.....	70
43.3	Electrónica.....	70
43.4	Funcionamiento de la entrada programable.....	71
43.5	Alineación.....	71
44	Configuración.....	71
44.1	Ajuste de la salida conmutada mediante la tecla rápida teach-in (-/Q1) (+/Q2) (Set/Q3).....	71
44.2	Ajuste de las salidas conmutadas y de otros parámetros del sensor mediante el menú.....	72
44.3	Bloqueo de teclas.....	75
45	Solución de fallos.....	75
45.1	Resolución de problemas.....	75
45.2	Tabla de diagnóstico de fallos.....	75
46	Datos técnicos.....	76
46.1	Datos técnicos.....	76
47	Desmontaje y eliminación.....	77
48	Mantenimiento.....	77

41 Para su seguridad

41.1 Instrucciones de seguridad

- Lea las instrucciones de uso antes de efectuar la puesta en servicio.
- La conexión, el montaje y el ajuste deben ser efectuados exclusivamente por técnicos especialistas.
- No se trata de un componente de seguridad según la Directiva de máquinas de la UE.
- UL: solo para utilizar en aplicaciones según NFPA 79. Estos dispositivos estarán protegidos por un fusible de 1 A adecuado para 30 VCC. Se encuentran disponibles adaptadores listados por UL con cable de conexión. Enclosure type 1.
- Proteja el equipo contra la humedad y la suciedad durante la puesta en servicio.
- Las presentes instrucciones de uso contienen información que puede serle necesaria durante todo el ciclo de vida del sensor.

LASERKLASSE 1	
	Laser 1
EN/IEC 60825-1:2014 IEC60825-1:2007	
Maximum pulse power < 64 mW Puls length: 9 ns Wavelength: 650 nm	
Complies with 21 CFR 1040.10 and 1040.11 except for deviations pursuant to Laser Notice No. 50, dated June 24, 2007	



ATENCIÓN

ATENCIÓN: cualquier intervención, manipulación o uso contrario a lo previsto puede provocar una situación de peligro por radiación láser.

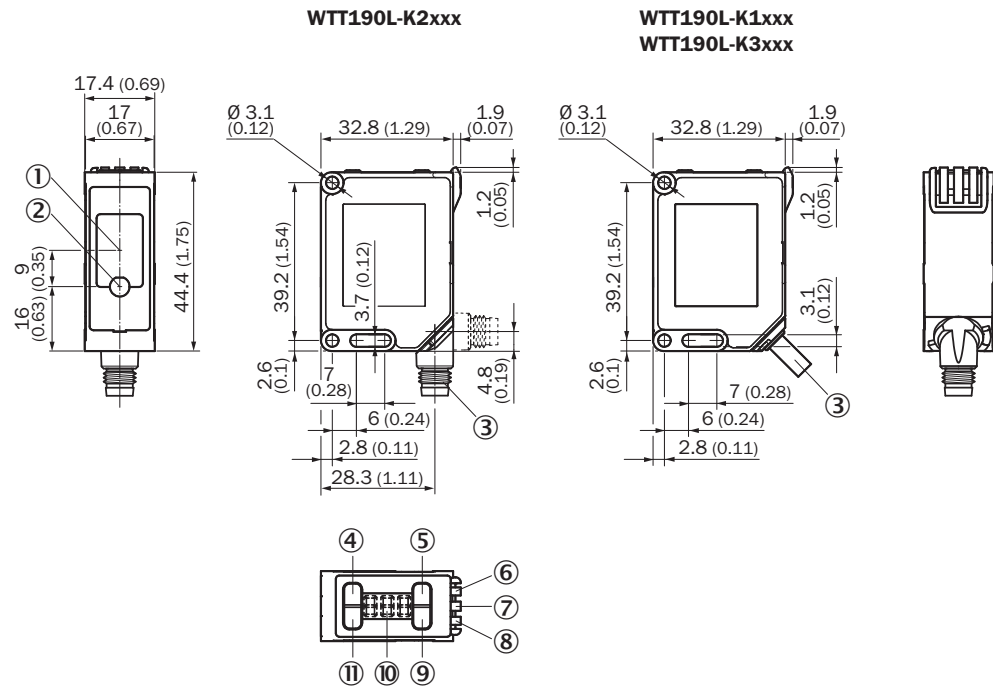
42 Descripción del producto

42.1 Uso conforme a lo previsto

La WTT190L-Kxxxx es una fotocélula optoelectrónica de detección sobre objeto (en lo sucesivo llamada sensor) empleada para la detección óptica y sin contacto de objetos. Cualquier uso diferente al previsto o modificación en el producto invalidará la garantía por parte de SICK AG.

Fotocélula de detección sobre objeto con supresión de fondo y salida analógica de valores de distancia.

42.2 Dibujo acotado



- ① Receptor
- ② Emisor
- ③ Conexión
- ④ Tecla RUN
- ⑤ Tecla (+/Q2)
- ⑥ Indicador de salida (naranja)
- ⑦ Indicador de estabilidad (verde/rojo), indicador de salida Q3 (naranja)
- ⑧ Indicador de salida (naranja)
- ⑨ Tecla (-/Q1)
- ⑩ Pantalla
- ⑪ Tecla (SET/Q3)

43 Puesta en marcha

43.1 Comprobar las condiciones de aplicación:

Comprobar las condiciones de aplicación: comparar la distancia de conmutación y la distancia respecto al objeto o al fondo, así como la capacidad de reflectancia del objeto, con el diagrama correspondiente [véase figura H1, H2]. (x = distancia de conmutación, y = distancia mínima entre el objeto y el fondo en mm [reflectancia del objeto / reflectancia del fondo]). Reflectancia: 6% = negro, 90% = blanco (referido al blanco estándar según DIN 5033).

La distancia mínima (= y) para suprimir el fondo puede extraerse del diagrama [véase figura H1⑤] del modo siguiente:

Ejemplo: x = 1.000 mm, y = 20 mm. Es decir, el fondo se suprimirá a partir de una distancia de > 20 mm del objeto.

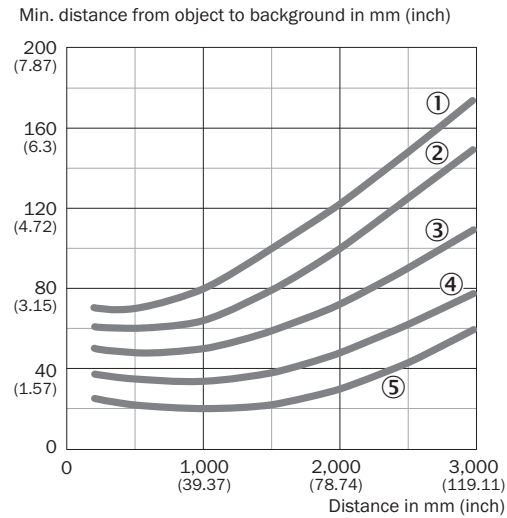


Figura: H-1 - Small teach y analógico 6%/90%

- ① 6%/90% AVG1
- ② 6%/90% AVG4
- ③ 6%/90% AVG16
- ④ 6%/90% AVG64
- ⑤ 6%/90% AVG256

43.2 Montaje

Montar el sensor en una escuadra de fijación adecuada (véase el programa de accesos SICK).

Respetar el par de apriete máximo admisible del sensor de 0.8 Nm.

Respetar la orientación preferente del objeto con respecto al sensor. [véase fig. F].

43.3 Electrónica

Los sensores deben conectarse sin tensión ($V_s = 0\text{ V}$). Debe tenerse en cuenta la información de las figuras [B] en función de cada tipo de conexión:

- Conexión de enchufes: asignación de terminales
- Cable: color del hilo

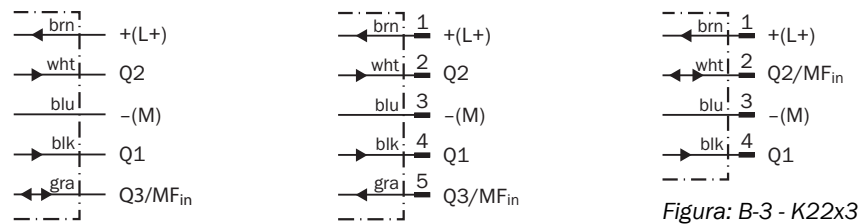


Figura: B - WTT190L-K15x4 Figura: B-2 - -K35x4 Figura: B-3 - K22x3

No aplicar o conectar la fuente de alimentación ($V_s > 0\text{ V}$) hasta que no se hayan finalizado todas las conexiones eléctricas. En el sensor se ilumina el LED indicador verde.

Explicaciones relativas al esquema de conexión (figura B):

MF_{in} = entrada multifunción programable.

43.4 Funcionamiento de la entrada programable

		Valor	Observación
Modo PNP	Inactivo	< 5,0 V	También inactivo si no está conectado
	Activo	> 10,0 V	Tensión máxima aplicada no superior a UV
Modo NPN	Inactivo	> 10,0 V	Tensión máxima aplicada no superior a UV
	Activo	< 4,0 V	También activo si no está conectado

La entrada programable debe estar activa para los tiempos indicados a continuación (p. ej., en el modo PNP $U > 10,0$ V) para ajustar las funciones correspondientes. Puede consultar las funciones disponibles y su selección a través del menú en „Ajuste de las salidas conmutadas y de otros parámetros del sensor mediante el menú“, página 72

Función	Duración mínima	Duración máxima
Desconexión del láser	4 ms	-
Aprendizaje externo Q1	4 ms	1 s
Aprendizaje externo Q2	1 s	2 s

43.5 Alineación

Orientar el sensor hacia el objeto. Seleccione una posición que permita que el haz de luz roja del emisor incida en el centro del objeto. Hay que procurar que la apertura óptica (pantalla frontal) del sensor esté completamente libre [véase figura F]. Recomendamos realizar los ajustes con un objeto de reflectancia baja.

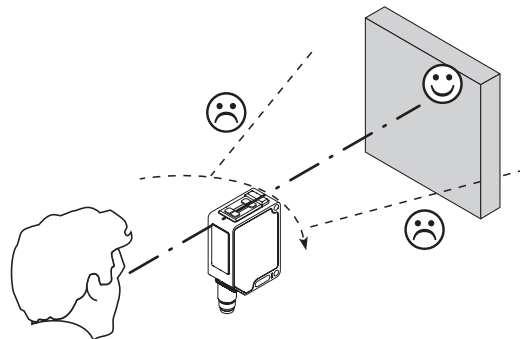


Figura: E

44 Configuración

Realizar la parametrización:

44.1 Ajuste de la salida conmutada mediante la tecla rápida teach-in (-/Q1) (+/Q2) (Set/Q3)

La distancia de conmutación se ajusta pulsando la tecla rápida teach-in > 1 s.



INDICACIÓN

La tecla rápida teach-in (Set/Q3) solo estará activa si previamente se ha seleccionado la opción **OUT** en el punto de menú **MF**. Para ello, véase la sección [capítulo 44.2](#)

Las teclas teach-in no deben accionarse con objetos puntiagudos. Recomendamos poner la distancia de conmutación en el objeto, p. ej., véase figura F. Una vez ajustada la distancia de conmutación, retirar el objeto de la trayectoria del haz, el fondo se suprime y la salida conmutada cambia (véase figura C).

El sensor está ajustado y listo para su uso. Para verificar el funcionamiento, véase la figura C. Si la salida conmutada no se comporta según la figura C, comprobar las condiciones de aplicación. Véase la sección [capítulo 45](#).

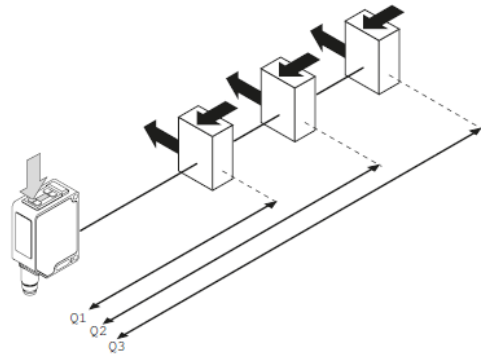


Figura: F

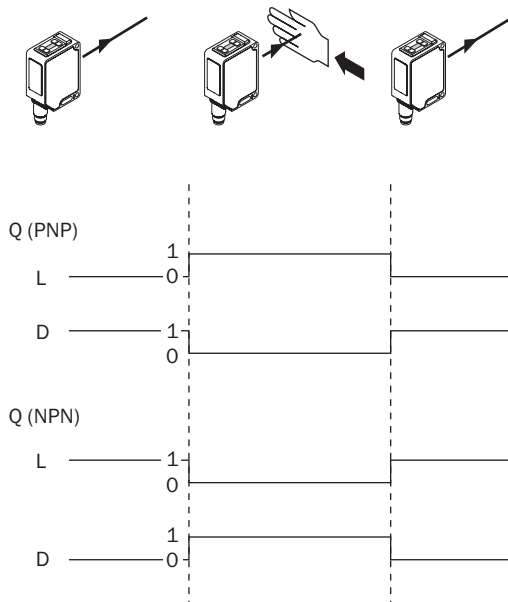


Figura: C

44.2 Ajuste de las salidas conmutadas y de otros parámetros del sensor mediante el menú

Como alternativa, las salidas conmutadas también pueden ajustarse mediante el menú. Igualmente es posible realizar otras parametrizaciones del sensor a través del menú. Al menú se accede pulsando brevemente (< 1 s) la tecla **Set/Q3**. La navegación por el menú se describe en la figura K.

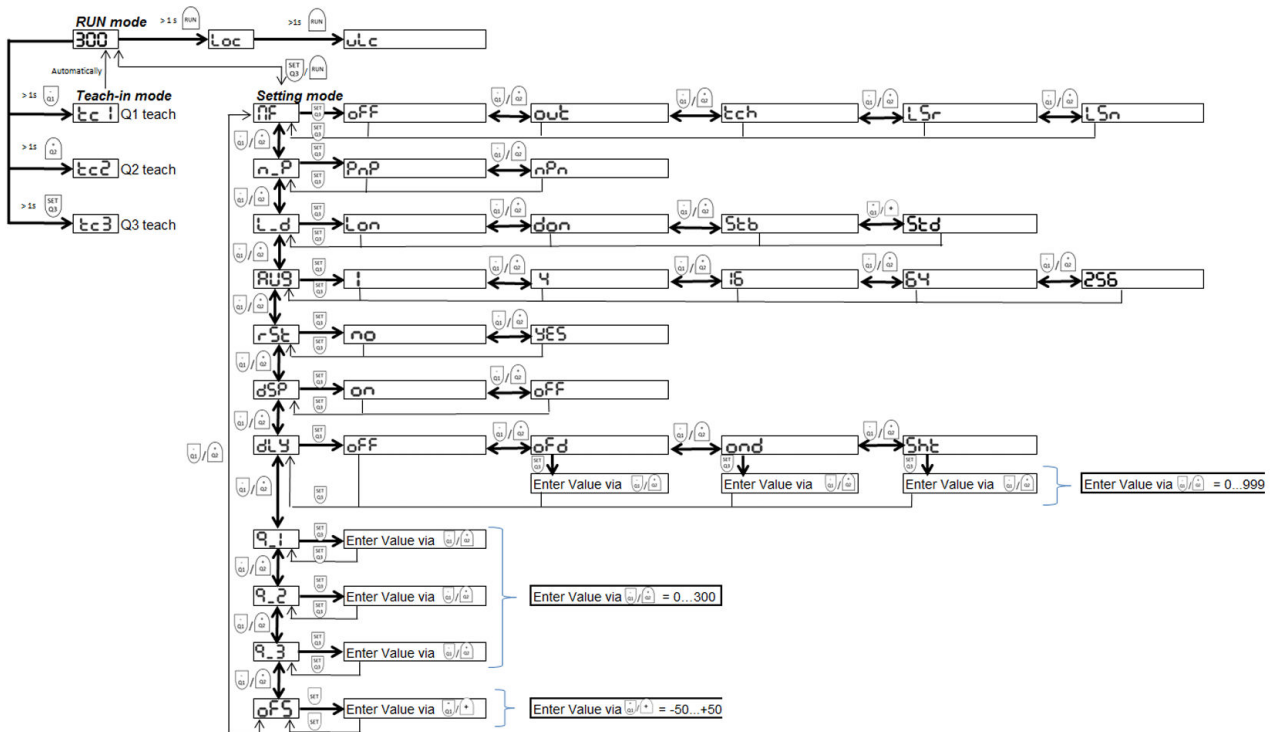


Figura 6: K

La tabla siguiente explica las abreviaturas y muestra los posibles ajustes.

Tabla 6: Lista de parámetros de aprendizaje

Nombre	Pantalla	Descripción	Selección de valores	Pantalla	Valor inicial	Descripción
MF	MF	Permite parametrizar la entrada/salida multifunción.	OFF, OUT, TCH, LSR, LSN	oFF		La entrada externa no tiene función.
				out		En dispositivos de 5 polos: el terminal 5 o el conductor gris funcionan como salida conmutada. En dispositivos de 4 polos: el terminal 2 funciona como salida conmutada.
				tch		La entrada externa es una entrada de aprendizaje. Para el funcionamiento véase „Electrónica“, página 70
				LSr	X	La entrada externa funciona como desconexión de láser, HIGH active.
				LSn		La entrada externa funciona como desconexión de láser, LOW active.
N_P	n_P	Conmutación modo PNP/NPN.	PNP, NPN	PnP	X	Las entradas y salidas están en modo PNP.
				nPn		Las entradas y salidas están en modo NPN.
L_D	L_d	Conmutación en claro/oscur	LON, DON, STB, STD	Lon	X	Conmutación en claro: la salida conmutada se activa cuando el objeto se encuen-

Nombre	Pantalla	Descripción	Selección de valores	Pantalla	Valor inicial	Descripción
						tra a una distancia inferior a la distancia de conmutación memorizada.
				don		Conmutación en oscuro: la salida conmutada se desactiva cuando el objeto se encuentra a una distancia inferior a la distancia de conmutación memorizada.
				Stb		La salida conmutada Q1 indica la estabilidad en el registro de los valores de medición (se corresponde, por tanto, con el LED indicador de estabilidad). Funcionamiento según el principio de conmutación en claro.
				Std		La salida conmutada Q1 indica la estabilidad en el registro de los valores de medición (se corresponde, por tanto, con el LED indicador de estabilidad). Funcionamiento según el principio de conmutación en oscuro.
AVG	AUG	Ajuste de la media aritmética móvil	1, 4, 16, 64, 256	64	64	Ajusta el número de valores para hacer una media aritmética móvil en la salida de señales. Esto estabiliza la salida de señales. Los valores posibles son 1, 4, 16, 64 o 256 (p. ej., 1 = sin cálculo de valor promedio, 256 = valor promedio superior a 256 valores)
RST	rSt	Restablecimiento del ajuste de fábrica	NO, YES	no	X	Restablecimiento no realizado.
				YES		Restablecimiento de todos los valores al ajuste de fábrica, exceptuando la selección PNP/NPN.
DSP	dSP	Ajustes de pantalla	ON, OFF	on	X	La pantalla muestra el valor de distancia en cm.
				oFF		La pantalla se desconecta pasados 30 segundos del último accionamiento de una tecla de mando.
DLY	dLY	Ajuste de las funciones de temporización para las salidas conmutadas.	OFF, OFD, OND, SHT	oFF	X	No se ha activado ninguna función de temporización.
				oFd		Retardo de desconexión ajustable de 0 a 999 ms.
				ond		Retardo de conexión ajustable de 0 a 999 ms.

Nombre	Pantalla	Descripción	Selección de valores	Pantalla	Valor inicial	Descripción
				Sht		Disparo único ajustable de 0 a 999 ms.
Q_1	q_1	Asignación de distancia para salida conmutada Q1.	0 ... 300	300	300	Rango de valores: 0 ... 300
Q_2	q_2	Asignación de distancia para salida conmutada Q2.	0 ... 300	300	300	Rango de valores: 0 ... 300
Q_3	q_3	Asignación de distancia para salida conmutada Q3. (solo en dispositivos de 5 polos)	0 ... 300	300	300	Rango de valores: 0 ... 300
OFS	oFS	Define el offset del umbral de conmutación (cm) al efectuar el proceso de aprendizaje, referido al valor medido en ese momento.	-50 ... +50	0	0	Rango de valores: -50 ... +50

Si las salidas conmutadas se ajustaran desde el menú, adaptar los registros Q_X.
Pulsando la tecla Run se sale del menú.

44.3 Bloqueo de teclas

Bloqueo activado: pulsar la tecla (Run) > 1 s
Bloqueo desactivado: pulsar de nuevo la tecla (Run) > 1 s

45 Solución de fallos

45.1 Resolución de problemas

La tabla “Resolución de problemas” muestra las medidas que hay que tomar cuando ya no está indicado el funcionamiento del sensor.

45.2 Tabla de diagnóstico de fallos

LED indicador / imagen de error / LED indicator/fault pattern	Causa / Cause	Acción / Measures
El LED verde no se ilumina / Green LED does not light up	Sin tensión o tensión por debajo de los valores límite / No voltage or voltage below the limit values	Comprobar la fuente de alimentación, comprobar toda la conexión eléctrica (cables y conectores) / Check the power supply, check all electrical connections (cables and plug connections)
El LED verde no se ilumina / Green LED does not light up	Interrupciones de tensión / Voltage interruptions	Asegurar una fuente de alimentación estable sin interrupciones de tensión / Ensure there is a stable power supply without interruptions
El LED verde no se ilumina / Green LED does not light up	El sensor está defectuoso / Sensor is faulty	Si la fuente de alimentación no tiene problemas, cambiar el sensor / If the power supply is OK, replace the sensor

LED indicador / imagen de error / LED indicator/fault pattern	Causa / Cause	Acción / Measures
El LED amarillo se ilumina, no hay ningún objeto en la trayectoria del haz / Yellow LED lights up, no object in the path of the beam	La distancia entre el sensor y el fondo es insuficiente / / Distance between the sensor and the background is too short	Reducir la distancia de conmutación, véase Figura F / Reduce the sensing range, see graphic F
El objeto se encuentra en la trayectoria del haz, el LED amarillo no se ilumina / Object is in the path of the beam, yellow LED does not light up	La distancia entre el sensor y el objeto es excesiva o la distancia de conmutación ajustada es insuficiente / Distance between the sensor and the object is too long or sensing range is set too short	Aumentar la distancia de conmutación, véase Figura F / Increase the sensing range, see graphic F

46 Datos técnicos

46.1 Datos técnicos

	WTT190L-Kxxx
Clase de láser	1
Distancia de conmutación	0.2 ... 3.0 m ¹⁾
Distancia de conmutación máx.	0.2 ... 3.0 m ¹⁾
Diámetro del punto luminoso/distancia	~ 12.0 mm / 3.0 m
Tensión de alimentación U _v	DC 10 ... 30 V ²⁾
Intensidad de salida I _{max} .	≤ 100 mA
Secuencia de conmutación máx.	AVG 1: 833 Hz, AVG 4: 500 Hz, AVG 16: 147 Hz, AVG 64: 38 Hz, AVG 256: 10 Hz ^{3) 4)5)}
Tiempo de respuesta máx.	AVG 1: 0.6 ms, AVG 4: 1 ms, AVG 16: 3.4 ms, AVG 64: 13 ms, AVG 256: 51.4 ms ^{6) 4)5)}
Tipo de protección	IP 67
Clase de protección	III
Circuitos de protección	A, B, C ⁷⁾
Temperatura ambiente de servicio	-30 ... +50 °C ⁸⁾
¹⁾ Material con un 6 % ... 90% de reflexión (sobre el blanco estándar según DIN 5033) ²⁾ Valores límite; funcionamiento en red protegida contra cortocircuitos máx. 8 A; ondulación residual máx. 5 Vss ³⁾ Con una relación claro/oscuero de 1:1 ⁴⁾ Puede ser influenciada por un filtro de valor medio. ⁵⁾ En función de la distancia al objeto, de la distancia al fondo y del umbral de conmutación seleccionado ⁶⁾ Duración de la señal con carga óhmica ⁷⁾ A = UV protegidas contra polarización inversa B = Entradas y salidas protegidas contra polarización incorrecta C = Supresión de impulsos parásitos ⁸⁾ Para TU < -10 °C: tiempo de calentamiento < 10 min; UV ≥ 24 V.	

47 Desmontaje y eliminación

El sensor tiene que eliminarse siguiendo la normativa aplicable específica de cada país. Los materiales valiosos que contenga (especialmente metales nobles) deben ser eliminados considerando la opción del reciclaje.

48 Mantenimiento

Los sensores SICK no precisan mantenimiento.

A intervalos regulares, recomendamos:

- Limpiar las superficies ópticas externas
- Comprobar las uniones roscadas y las conexiones.

No se permite realizar modificaciones en los aparatos.

Sujeto a cambio sin previo aviso. Las propiedades y los datos técnicos del producto no suponen ninguna declaración de garantía.

PowerProx Small Teach-in - WTT190L-Kxxx

多任务光电传感器

SICK
Sensor Intelligence.



de
en
es
fr
it
ja
pt
ru
zh

所说明的产品

PowerProx Small Teach-in - WTT190L-Kxxxx

制造商

SICK AG
Erwin-Sick-Str. 1
79183 Waldkirch, Germany
德国

法律信息

本档受版权保护。其中涉及到的一切权利归西克公司所有。只允许在版权法的范围内复制本档的全部或部分内客。未经西克公司的明确书面许可，不允许对文档进行修改、删减或翻译。

本档所提及的商标为其各自所有者的资产。

© 西克公司版权所有。版权所有

原始文档

本档为西克股份公司的原始文档。



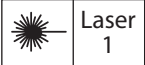
内容

49	79
49	79
51	安全信息	81
	51.1 安全须知.....	81
52	产品说明	81
	52.1 设计用途.....	81
	52.2 尺寸图.....	82
53	调试	82
	53.1 检查使用条件:	82
	53.2 安装.....	83
	53.3 电子.....	83
	53.4 可编程输入的运行模式.....	84
	53.5 校准.....	84
54	系统配置	84
	54.1 通过示教功能快速访问键 (-/Q1) (+/Q2) (Set/Q3) 设置输出信号 切换装置.....	84
	54.2 通过菜单设置输出信号切换装置以及其他传感器参数.....	85
	54.3 按键锁.....	87
55	故障排除	88
	55.1 故障排除.....	88
	55.2 错误诊断表格.....	88
56	技术数据	88
	56.1 技术数据.....	88
57	拆卸和废弃处理	89
58	保养	89

51 安全信息

51.1 安全须知

- 调试前请阅读操作说明。
- 仅允许由专业人员进行接线、安装和设置。
- 本设备非欧盟机械指令中定义的安全部件。
- UL: 仅限用于符合 NFPA 79 的应用。该设备类型应由一个适用于 30 V 直流电的 1 A 保险丝进行保护。可用 UL 所列出的含连接线缆的连接器, Enclosure type 1.
- 调试前防止设备受潮或污染。
- 本操作说明中包含了传感器生命周期中必需的各项信息。

LASERKLASSE 1

EN/IEC 60825-1:2014 IEC60825-1:2007
Maximum pulse power < 64 mW Puls length: 9 ns Wavelength: 650 nm
Complies with 21 CFR 1040.10 and 1040.11 except for deviations pursuant to Laser Notice No. 50, dated June 24, 2007



注意

注意：干预或篡改或不符合规定的使用均可能导致因激光辐射引起的危险负荷。

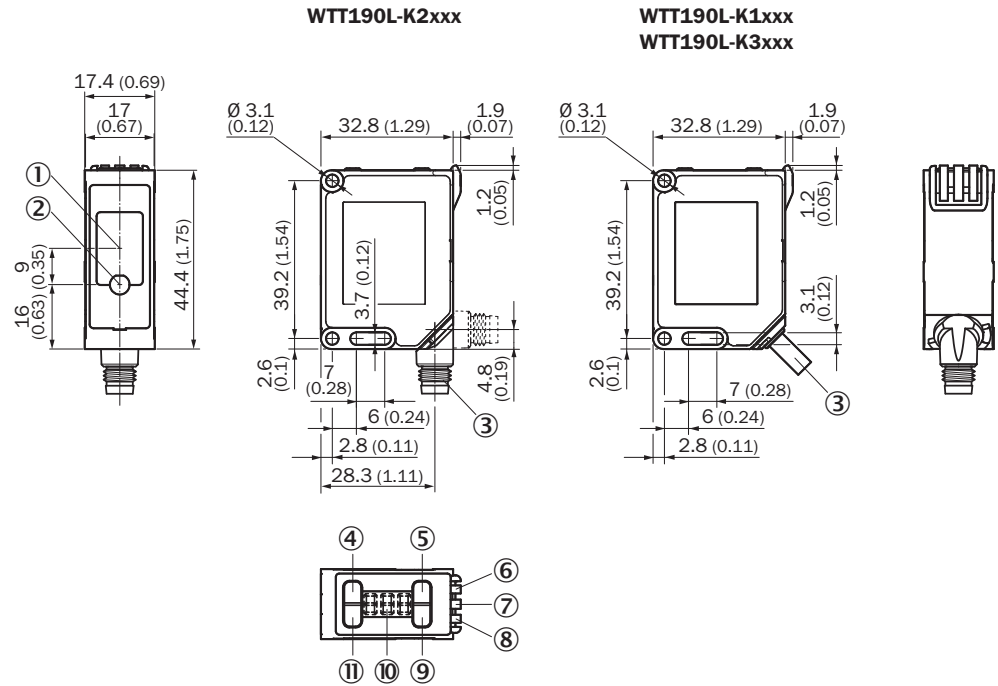
52 产品说明

52.1 设计用途

WTT190L-Kxxxx 是一种漫反射式光电传感器（下文简称为“传感器”），用于物体的非接触式光学检测。如滥用本产品或擅自对其改装，则 SICK 公司的所有质保承诺均将失效。

漫反射式光电传感器带有背景抑制功能及模拟距离值输出。

52.2 尺寸图



- ① 接收器
- ② 发射器
- ③ 接口
- ④ RUN 键
- ⑤ (+/Q2) 键
- ⑥ 输出指示灯 (橙色)
- ⑦ 稳定性指示灯 (绿色/红色), Q3 输出指示灯 (橙色)
- ⑧ 输出指示灯 (橙色)
- ⑨ (-/Q1) 键
- ⑩ 显示
- ⑪ (SET/Q3) 键

53 调试

53.1 检查使用条件:

检查使用条件: 使用随附的图表 [参照 H1, H2] 调整开关距离和物体距离, 或背景及物体的反射能力 (x = 开关距离, y = 以 mm 为单位的物体和背景之间的最小距离 (物体反射比/背景反射比)。反射比: 6% = 黑色, 90% = 白色 (DIN 5033 规定的标准白)。

根据图表 [参照 H1⑤] 按如下方法读取背景抑制功能的最小距离 (= y):

示例: x = 1,000 mm, y = 20 mm。即, 当与传感器距离 > 20 mm 时, 才能抑制背景。

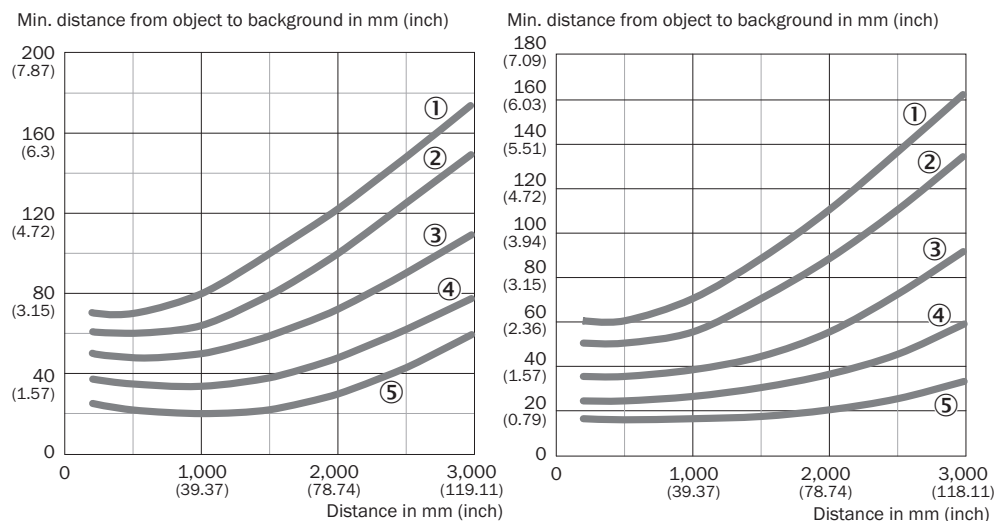


插图: H-1 - Small teach and analog 6%/90% 插图: H-2 - Small teach and analog 90%/90%

- ①6%/90% AVG1
- ②6%/90% AVG4
- ③6%/90% AVG16
- ④6%/90% AVG64
- ⑤6%/90% AVG256

- ①90%/90% AVG1
- ②90%/90% AVG4
- ③90%/90% AVG16
- ④90%/90% AVG64
- ⑤90%/90% AVG256

53.2 安装

将传感器安装在合适的安装托架上（参见 SICK 附件说明书）。

注意传感器的最大允许拧紧扭矩为 0.8 Nm。

以传感器为参照物，注意物体的优先方向 [参照 F]。

53.3 电子

必须在无电压状态 ($U_V = 0\text{ V}$) 连接传感器。依据不同连接类型，注意图 [参照 B] 中的信息：

- 插头连接：引线分配
- 电缆：芯线颜色

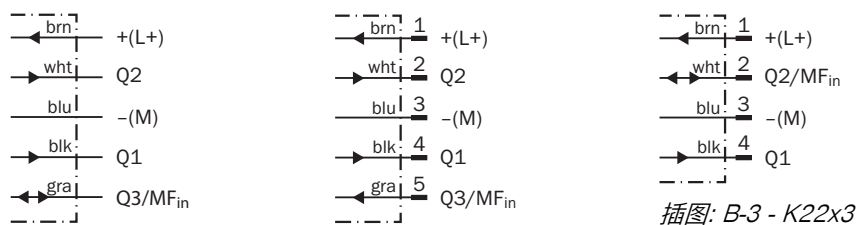


插图: B-1 - WTT190L-K15x4 插图: B-2 - -K35x4 插图: B-3 - K22x3

完成所有电子连接后，才敷设或接通电压供给 ($U_V > 0\text{ V}$)。传感器上的绿色 LED 指示灯亮起。

接线图 (图 B) 说明：

MF_{in} = 多功能，可编程输入。

53.4 可编程输入的运行模式

		值	备注
PNP 模式	已禁用	< 5.0 V	即使未连接也会禁用
	激活	> 10.0 V	最大施加电压不高于 UV
NPN 模式	已禁用	> 10.0 V	最大施加电压不高于 UV
	激活	< 4.0 V	即使未连接也会启用

可编程输入必须在下面的时间内启用（例如在 PNP 模式下 $U > 10.0\text{ V}$ ），以设置相应功能。通过菜单提供的功能及其选择参见 [„通过菜单设置输出信号切换装置以及其他传感器参数“](#)，第 85 页

功能	最低持续时间	最长持续时间
激光关闭	4 ms	-
外部示教 Q1	4 ms	1 s
外部示教 Q2	1 s	2 s

53.5 校准

将传感器对准物体。选择定位，确保红色发射光束射中物体的中间。此时，应注意传感器的光学开口（透明保护盖）处应无任何遮挡 [参照 F]。我们建议使用反射比较低的物体进行设置。

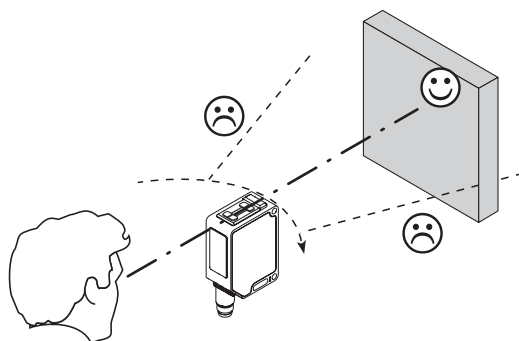


插图: E

54 系统配置

执行参数设置:

54.1 通过示教功能快速访问键 (-/Q1) (+/Q2) (Set/Q3) 设置输出信号切换装置

通过按下示教功能快速访问键超过 1 s 设置触发感应距离。



提示

仅当事先已在菜单项 MF 中选中选项 OUT 时，才可激活示教功能快速访问键 (Set/Q3)。为此可参见章节 54.2 章

切勿使用尖锐物体操作示教键。我们建议开关距离应涵盖物体；例如，参见图 F。开关距离设置完成后，将物体从光路中移除，同时，将抑制背景并改变输出信号切换装置（参见图 C）。

传感器已设置并准备就绪。参照图 C 检查功能。如果输出信号切换装置的动作不符合图 C，则须检查使用条件。参见章节 55 章。

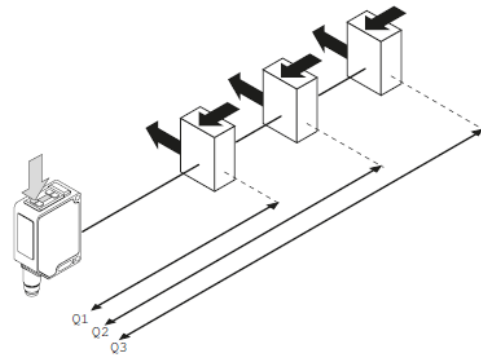


插图: F

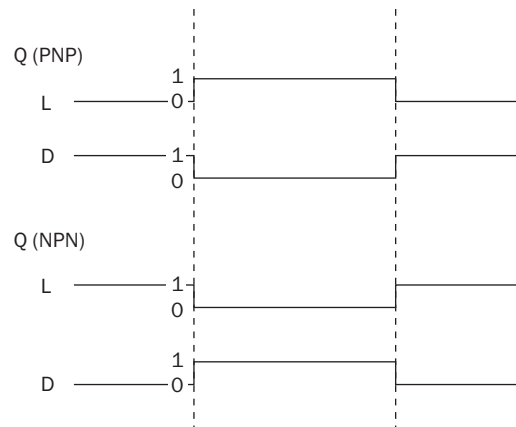
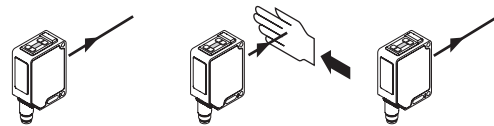


插图: C

54.2 通过菜单设置输出信号切换装置以及其他传感器参数

还可选择通过菜单设置输出信号切换装置。其他传感器参数设置同样可通过菜单进行。通过短按 **Set/Q3** 键不到 1 s 访问菜单。菜单导航参见图 K。

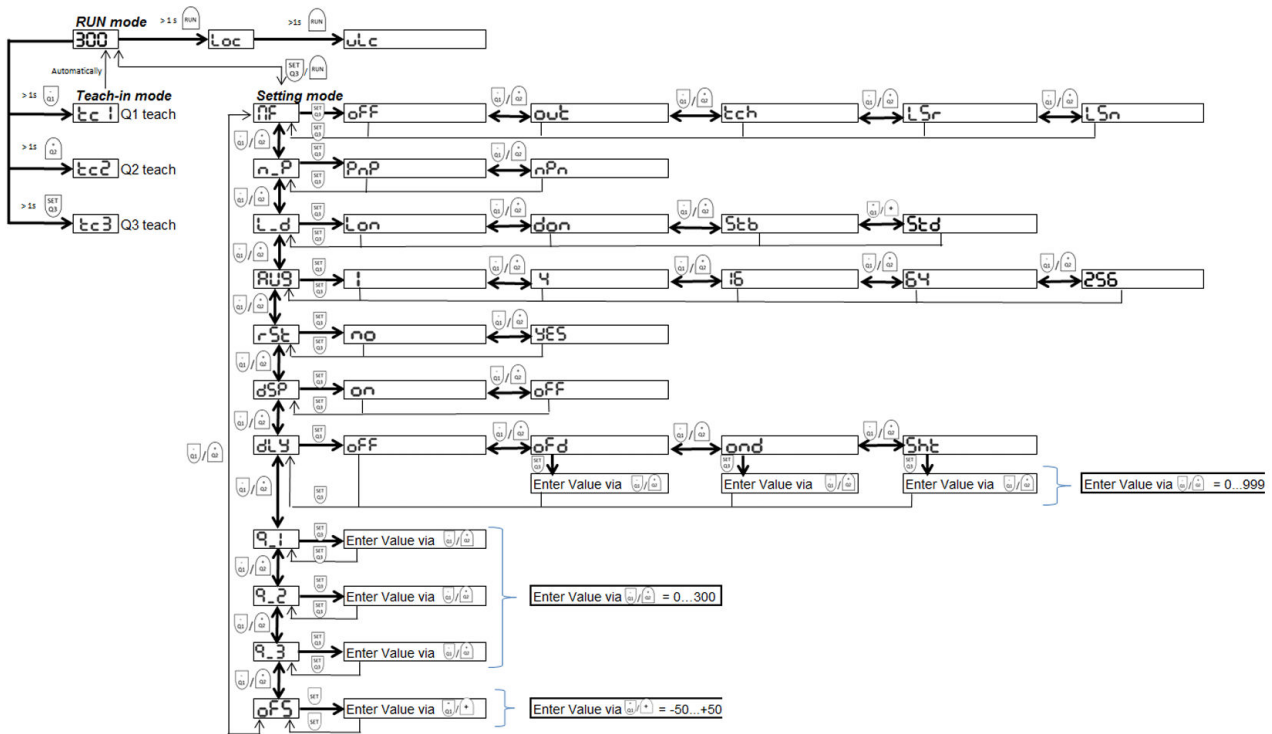


插图 7: K

下表介绍缩写并显示可行设置。

表格 7: 示教参数表

名称	显示	说明	取值	显示	初始值	说明
MF	MF	可设置多功能输入/输出参数。	OFF、OUT、TCH、LSR、LSN	oFF		外部输入不起作用。
				out		5 针设备中: Pin 5 或灰色导线作为输出信号切换装置。4 针设备中: Pin 2 作为输出信号切换装置。
				tch		外部输入为示教输入。关于运行模式 参见 „电子“, 第 83 页
				Lsr	X	外部输入用作激光关闭, high-active。
				LSn		外部输入用作激光关闭, low-active。
N_P	n_P	切换 PNP/NPN 模式。	PNP、NPN	PnP	X	输入与输出处于 PNP 模式。
				nPn		输入与输出处于 NPN 模式。
L_D	L_d	切换明通/暗通开关	LON、DON、STB、STD	Lon	X	明通开关: 如果物体位于已示教的触发感应距离内, 则输出信号切换装置打开。
				don		暗通开关: 如果物体位于已示教的触发感应距离内, 则输出信号切换装置关闭。

名称	显示	说明	取值	显示	初始值	说明
				Stb		输出信号切换装置 Q1 输出测量值记录的稳定性（由此对应 LED 稳定性指示灯）。工作方式亮通。
				Std		输出信号切换装置 Q1 输出测量值记录的稳定性（由此对应 LED 稳定性指示灯）。工作方式暗通。
AVG	AUG	设置可变的算术平均值	1、4、16、64、256	64	64	设置值的数量，信号输出借此生成一个可变的算术平均值。这将平缓信号输出。可能值为 1、4、16、64 或 256（如 1 = 无平均值，256 = 256 个值的平均值）
RST	rSt	恢复出厂设置	NO、YES	no	X	不复位。
				YES		除 PNP/NPN 选项外，将所有值恢复为出厂设置。
DSP	dSP	显示器设置	ON、OFF	on	X	显示器以 cm 为单位显示距离。
				oFF		显示器将在最后一次按下操作按钮的 30 秒后关闭。
DLY	dLY	设置输出信号切换装置的时间功能。	OFF、OFD、OND、SHT	oFF	X	未启用时间功能。
				oFd		断开延迟，0 ~ 999 ms 可调节。
				ond		接通延迟，0 ~ 999 ms 可调节。
				Sht		单次触发，0 ~ 999 ms 可调节。
Q_1	q_1	有关输出信号切换装置 Q1 的距离分配。	0 ~ 300	300	300	值域 0 ~ 300
Q_2	q_2	有关输出信号切换装置 Q2 的距离分配。	0 ~ 300	300	300	值域 0 ~ 300
Q_3	q_3	有关输出信号切换装置 Q3 的距离分配。（仅在 5 针设备中）	0 ~ 300	300	300	值域 0 ~ 300
OFS	oFS	在示教时定义开关阈值的偏移量（cm），以当前所测得的值为参照。	-50 ~ +50	0	0	值域 -50 ~ +50

如果需通过菜单调整输出信号切换装置，则调整 Q_X 项。

按下 Run 键可离开菜单。

54.3 按键锁

按键锁开启：按下 (Run) 键超过 1 s

按键锁关闭：再次按下 (Run) 键超过 1 s

55 故障排除

55.1 故障排除

故障排除表格中罗列了传感器无法执行某项功能时应采取的各项措施。

55.2 错误诊断表格

LED 指示灯 / 故障界面 / LED indicator/fault pattern	原因 / Cause	措施 / Measures
绿色 LED 未亮起 / Green LED does not light up	无电压或电压低于极限值 / No voltage or voltage below the limit values	检查电源，检查整体电气连接（导线和插头连接） / Check the power supply, check all electrical connections (cables and plug connections)
绿色 LED 未亮起 / Green LED does not light up	电压中断 / Voltage interruptions	确保电源稳定无中断 / Ensure there is a stable power supply without interruptions
绿色 LED 未亮起 / Green LED does not light up	传感器损坏 / Sensor is faulty	如果电源正常，则更换传感器 / If the power supply is OK, replace the sensor
黄色 LED 亮起，光路中无物体 / Yellow LED lights up, no object in the path of the beam	传感器和背景之间的间距过小 / / Distance between the sensor and the background is too short	降低开关距离，参见图 F / Reduce the sensing range, see graphic F
光路中有物体，黄色 LED 未亮起 / Object is in the path of the beam, yellow LED does not light up	传感器和物体之间的间距过大或开关距离设置的过小 / Distance between the sensor and the object is too long or sensing range is set too short	增大开关距离，参见图 F / Increase the sensing range, see graphic F

56 技术数据

56.1 技术数据

	WTT190L-Kxxx
激光等级	1
开关距离	0.2 ... 3.0 m ¹⁾
最大开关距离	0.2 ... 3.0 m ¹⁾
光斑直径/距离	~ 12.0 mm / 3.0 m
供电电压 U _V	DC 10 ... 30 V ²⁾
输出电流 I _{max}	≤ 100 mA
最大开关操作顺序	AVG 1: 833 Hz, AVG 4: 500 Hz, AVG 16: 147 Hz, AVG 64: 38 Hz, AVG 256: 10 Hz ^{3) 4)5)}

	WTT190L-Kxxx
最长响应时间	AVG 1: 0.6 ms, AVG 4: 1 ms, AVG 16: 3.4 ms, AVG 64: 13 ms, AVG 256: 51.4 ms ⁶⁾ 4)5)
防护类型	IP 67
防护等级	III
保护电路	A, B, C ⁷⁾
工作环境温度	-30 ... +50 °C ⁸⁾
1) 具有 6 % ... 90 % 反射比的扫描对象 (指 DIN 5033 规定的标准白) 2) 极限值: 在防短路电网中运行, 最大 8 A; 最大余波 5 Vss 3) 明暗比为 1:1 4) 可能受到均值滤波影响。 5) 取决于同物体的距离、同背景的距离、以及所选的开关阈值 6) 信号传输时间 (电阻负载时) 7) A = UV 接口 (已采取反极性保护措施) B = 具有反极性保护的输入端和输出端 C = 抑制干扰脉冲 8) 当 TU < -10 °C:预热时间小于 10 min; UV>=24 V。	

57 拆卸和废弃处理

必须根据当地特定的法律法规废弃处理传感器。如果其中含有可回收材料 (尤其是贵金属), 则必须在废弃处理时回收利用。

58 保养

SICK 传感器无需保养。

我们建议, 定期:

- 清洁镜头检测面
- 检查螺栓连接和插头连接

不得对设备进行任何改装。

如有更改,不另行通知。所给出的产品特性和技术参数并非质保声明。

PowerProx Small Teach-in - WTT190L-Kxxx

MultiTask 光電センサ

SICK
Sensor Intelligence.



de
en
es
fr
it
ja
pt
ru
zh

説明されている製品

PowerProx Small Teach-in - WTT190L-Kxxxx

メーカー

SICK AG
Erwin-Sick-Str. 1
79183 Waldkirch
Germany

法律情報

本書は著作権によって保護されています。著作権に由来するいかなる権利も SICK AG が保有しています。本書および本書の一部の複製は、著作権法の法的規定の範囲内でのみ許可されます。本書の内容を変更、削除または翻訳することは、SICK AG の書面による明確な同意がない限り禁じられています。

本書に記載されている商標は、それぞれの所有者の所有です。

© SICK AG. 無断複写・複製・転載を禁ず。

オリジナルドキュメント

このドキュメントは SICK AG のオリジナルドキュメントです。




コンテンツ

59	安全情報	93
	59.1 安全上の注意事項.....	93
60	製品概要	93
	60.1 正しいご使用方法.....	93
	60.2 寸法図面.....	94
61	コミッショニング	94
	61.1 使用条件の確認.....	94
	61.2 取付.....	95
	61.3 電子機器.....	95
	61.4 プログラミング可能な入力機能原理.....	96
	61.5 光軸調整.....	96
62	設定	96
	62.1 ティーチインショートカットキーによるスイッチング出力の設定 (-/Q1) (+/Q2) (Set/Q3).....	96
	62.2 メニューを介したスイッチング出力の設定およびセンサのその他のパラメータ設定.....	97
	62.3 ボタンのロック.....	100
63	トラブルシューティング	100
	63.1 トラブルシューティング.....	100
	63.2 故障診断表.....	100
64	技術仕様（抜粋）	100
	64.1 技術仕様（抜粋）.....	100
65	解体および廃棄	101
66	メンテナンス	101

59 安全情報

59.1 安全上の注意事項

- ご使用前に必ず取扱説明書をお読みください。
- 本製品の接続・取り付け・設定は、訓練を受けた技術者が行って下さい。
- 本製品は EU 機械指令の要件を満たす安全コンポーネントではありません。
- UL : NFPA79 に準拠した用途においてのみご使用ください。この装置は 30V DC 用の 1 A ヒューズによって保護されるものとします。UL 規格によってリストアップされた接続ケーブル付きのアダプターを使用できます。
Enclosure type 1.
- 使用開始前に、湿気や汚れから機器を保護して下さい。
- 本取扱説明書には、センサのライフサイクル中に必要となる情報が記載されています。

LASERKLASSE 1	
	Laser 1
EN/IEC 60825-1:2014 IEC60825-1:2007	
Maximum pulse power < 64 mW Puls length: 9 ns Wavelength: 650 nm	
Complies with 21 CFR 1040.10 and 1040.11 except for deviations pursuant to Laser Notice No. 50, dated June 24, 2007	



要注意

警告：投光光軸の妨害・人為的操作・不適切な使用は、レーザー照射による危険な被ばくにつながる恐れがあります。

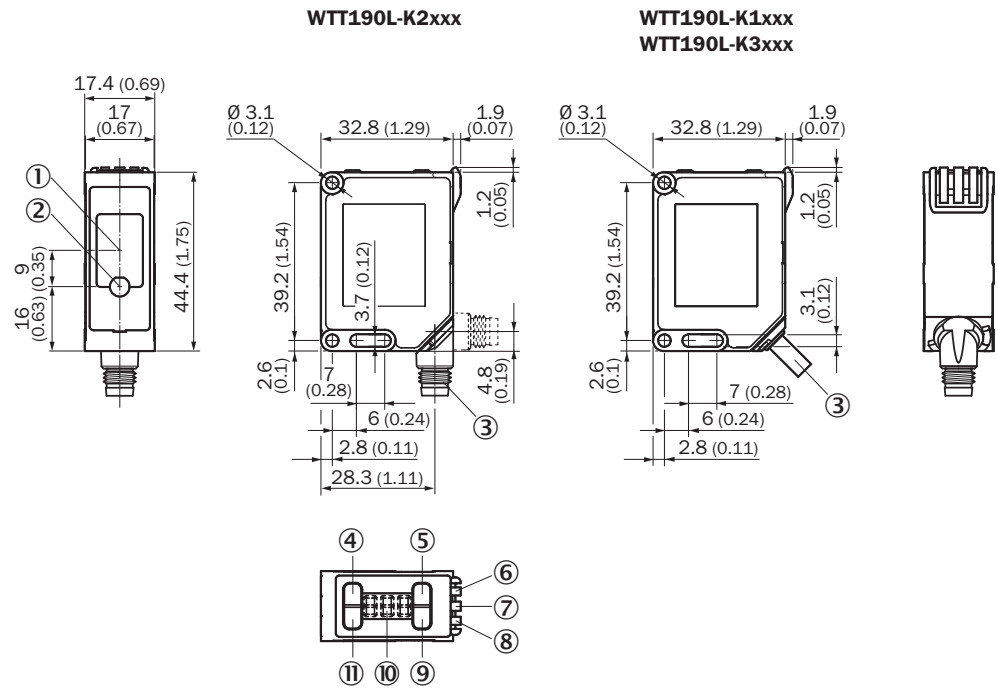
60 製品概要

60.1 正しいご使用方法

WTT190L-Kxxxx とはリフレクタ形光電スイッチ (以下センサと呼ぶ) で、物体を光学技術により非接触で検知するための装置です。製品を用途以外の目的で使用したり改造したりした場合は、SICK AG に対する一切の保証請求権が無効になります。

背景抑制機能およびアナログ距離値出力機能付きのリフレクタ形光電スイッチ。

60.2 寸法図面



- ① 受光器
- ② 投光器
- ③ 接続
- ④ RUN ボタン
- ⑤ (+/Q2) ボタン
- ⑥ 出力表示 (オレンジ)
- ⑦ 安定性表示 (緑 / 赤)、Q3 表示出力 (オレンジ)
- ⑧ 出力表示 (オレンジ)
- ⑨ (-/Q1) ボタン
- ⑩ 表示
- ⑪ (SET/Q3) ボタン

61 コミッショニング

61.1 使用条件の確認:

使用条件の確認: 検出範囲と対象物または背景への距離、ならびに対象物の反射率を対応する図 [H1, H2 を参照] に従って調整します (x = 検出範囲、 y = 対象物と背景の最小距離 (対象物反射率 / 背景反射率))。反射率: 6% = 黒、90% = 白 (DIN 5033 に準拠した白)

背景抑制のための最低必要距離 (= y) は図 [H1⑤ を参照] から以下のように読み取ることができます:

例: $x = 1000$ mm、 $y = 20$ mm つまり背景は対象物からの距離が 20 mm を超える場合に抑制されます。

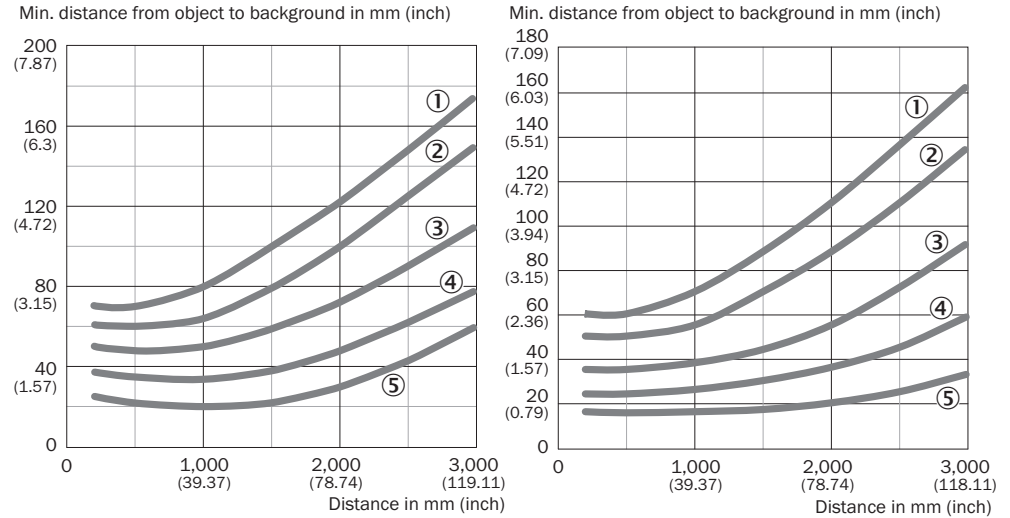


図: H-1 - Small teach and analog 6%/90% 図: H-2 - Small teach and analog 90%/90%

- ①6%/90% AVG1
- ②6%/90% AVG4
- ③6%/90% AVG16
- ④6%/90% AVG64
- ⑤6%/90% AVG256

- ①90%/90% AVG1
- ②90%/90% AVG4
- ③90%/90% AVG16
- ④90%/90% AVG64
- ⑤90%/90% AVG256

61.2 取付

センサを適切なブラケットに取り付けます (SICK 付属品カタログを参照)。

センサの締付トルクの最大許容値 0.8 Nm を遵守してください。

センサに対して対象物が検出可能な方向にあることを確認してください [F を参照]。

61.3 電子機器

センサの接続は無電圧 ($U_v = 0 \text{ V}$) で行わなければなりません。接続タイプに応じてグラフ [B を参照] の情報に留意してください:

- コネクタ接続: ピン配置
- ケーブル: 芯線の色

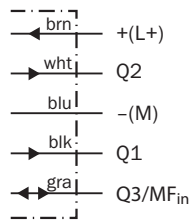


図: B - WTT190L-K15x4

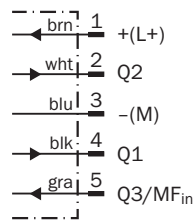


図: B-2 - -K35x4

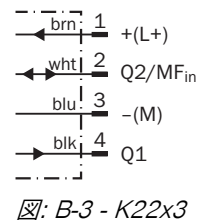


図: B-3 - K22x3

すべての電気機器を接続してから供給電圧 ($U_v > 0 \text{ V}$) を印加、あるいは電源を入れてください。センサの緑色の LED 表示が点灯します。

接続図の説明 (グラフ B):

MF_{in} = 多機能、プログラミング可能な入力。

61.4 プログラミング可能な入力の機能原理

		値	備考
PNP モード	OFF	< 5.0 V	接続されていない場合も OFF
	ON	> 10.0 V	最大印加電圧は VS 以下であること
NPN モード	OFF	> 10.0 V	最大印加電圧は VS 以下であること
	ON	< 4.0 V	接続されていない場合も ON

対応する機能を設定するためには、プログラミング可能な入力以下の期間に ON である必要があります (例えば PNP モード $U > 10.0$ V の場合など)。利用可能な機能、ならびにこれらの機能のメニューからの選択方法について: „メニューを介したスイッチング出力の設定およびセンサのその他のパラメータ設定“, ページ 97

機能	最低継続時間	最大継続時間
レーザスイッチオフ	4 ms	-
外部ティーチ Q1	4 ms	1 s
外部ティーチ Q2	1 s	2 s

61.5 光軸調整

センサを対象物に合わせて光軸調整します。赤色の投光軸が対象物の中央に照射されるように位置を選択します。センサの光開口 (フロントスクリーン) が全く遮らぎられないことがないよう、注意してください [F を参照]。反射率の低い対象物を使用して調整することをお勧めします。

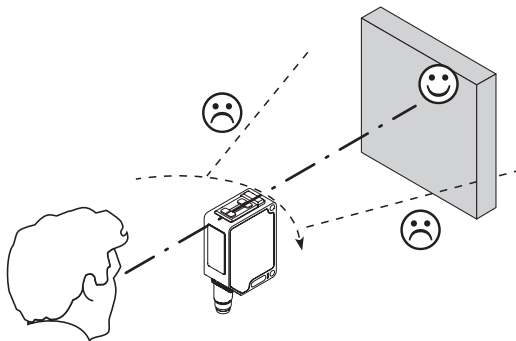


図: E

62 設定

パラメータ化実行:

62.1 ティーチインショートカットキーによるスイッチング出力の設定 (-/Q1) (+/Q2) (Set/Q3)

ティーチインボタンショートカットキーを 1 秒より長く押して、検出距離を設定します。

**注意事項**

ティーチインショートカットキー (Set/Q3) は、事前にメニュー項目 MF でオプション OUT が選択された場合のみ有効になります。詳細は以下を参照: 章 62.2

ティーチインボタンを尖った物体で操作しないでください。検出距離を対象物内に入れることをお勧めします。例えばグラフ F を参照してください。感度が設定された後、対象物を光軸から取り除くと背景が抑制され、スイッチング出力が変化します (グラフ C を参照)。

センサは設定され動作準備が整いました。機能を点検するためには、グラフ C を使用します。スイッチング出力がグラフ C に従った動作を示さない場合は、使用条件を点検してください。以下の項目を参照: 章 63。

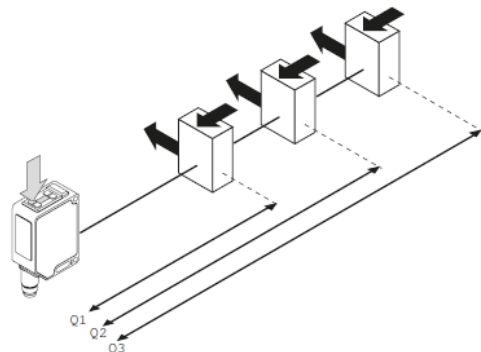


図: F

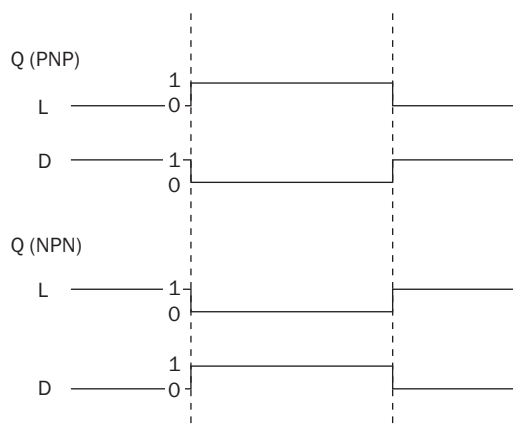
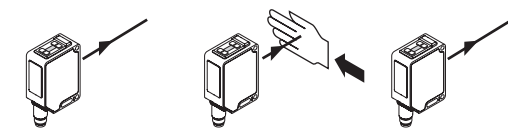


図: C

62.2 メニューを介したスイッチング出力の設定およびセンサのその他のパラメータ設定

スイッチング出力は、メニューから設定することも可能です。同様にセンサのその他のパラメータ設定もメニューより実行できます。メニューへアクセスするには、ボタン Set/Q3 を 1 秒未満短く押してください。メニューナビゲーションは図 K を示しています。

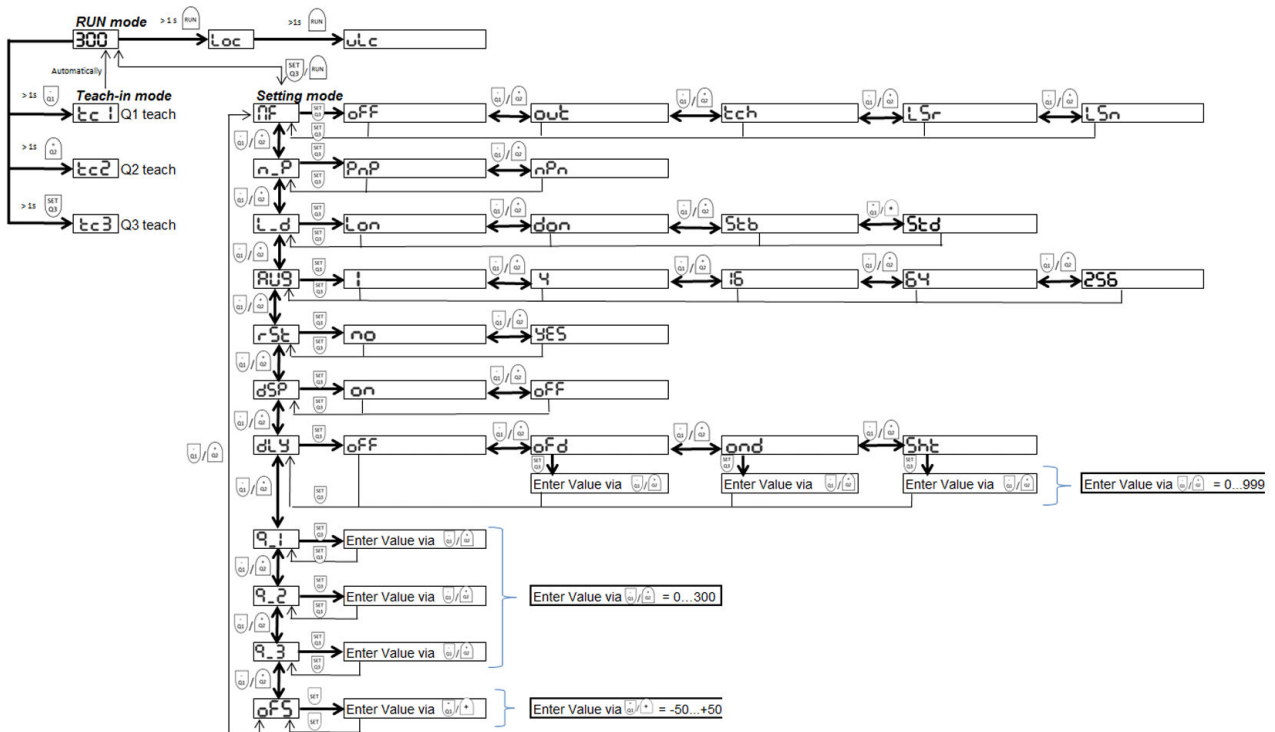


図 8: K

次の表は、略語と可能な設定を示しています。

表 8: ティーチパラメータのリスト

名称	表示	説明	値選択	表示	初期値	説明
MF	MF	多機能入力/出力のパラメータ設定を可能にします。	OFF、OUT、TCH、LSR、LSN	oFF		外部入力の機能は無効です。
				out		5 ピン装置の場合: ピン 5 またはグレーのワイヤは、スイッチング出力として機能します。4 ピン装置の場合: ピン 2 はスイッチング出力として機能します。
				tch		外部入力にはティーチ入力です。機能原理: 参照 „電子機器“, ページ 95
				LSr	X	外部入力にはレーザスイッチオフ、high-active として機能します。
				LSn		外部入力にはレーザスイッチオフ、low-active として機能します。
N_P	n_P	PNP モード/NPN モードの切替	PNP, NPN	PnP	X	入力および出力は PNP モードです。
				nPn		入力および出力は NPN モードです。
L_D	L_d	ライト/ダークオン切替	LON、DON、STB、STD	Lon	X	ライトオン: 対象物がティーチされた検出範囲より近くにある場合、スイッチング出力が起動します。

名称	表示	説明	値選択	表示	初期値	説明
				don		ダークオン: 対象物がタッチされた検出範囲より近くにある場合、スイッチング出力は無効になります。
				Stb		スイッチング出力 Q1 は測定値取得時に安定性を与えます (つまり LED 安定性表示と対応)。ライトオン機能。
				Std		スイッチング出力 Q1 は測定値取得時に安定性を与えます (つまり LED 安定性表示と対応)。ダークオン機能。
AVG	AUG	移動する相加平均値の設定	1, 4, 16, 64, 256	64	64	信号出力時に移動相加平均値を算出する値の数を設定します。これは信号出力を安定させます。可能な値は 1、4、16、64 または 256 (例えば 1 = 平均値算出なし、256 = 256 の値の平均値)
RST	rSt	工場出荷時の設定へのリセット	NO, YES	no	X	リセットはありません。
				YES		PNP/NPN 選択を除いてすべての値を工場出荷時設定にリセットします。
DSP	dSP	ディスプレイ設定	ON、OFF	on	X	ディスプレイには距離値が cm の単位で表示されます。
				oFF		ディスプレイは操作ボタンを最後に操作してから 30 秒経過するとオフになります。
DLY	dLY	スイッチング出力のタイマ設定	OFF, OFD, OND, SHT	oFF	X	タイマが有効ではありません。
				oFd		停止遅延時間、0 ... 999 ms まで設定可能。
				ond		起動遅延時間、0 ... 999 ms まで設定可能。
				Sht		単発、0 ... 999 ms まで設定可能。
Q_1	q_1	スイッチング出力 Q1 への距離割り当て	0...300	300	300	値範囲 0...300
Q_2	q_2	スイッチング出力 Q2 への距離割り当て	0...300	300	300	値範囲 0...300
Q_3	q_3	スイッチング出力 Q3 への距離割り当て(5 ピンの装置の場合のみ)	0...300	300	300	値範囲 0...300
OFS	oFS	現在の測定値に基づいて、ティーチイン時のスイッチング閾値 (cm) のオフセットを定義。	-50...+50	0	0	値範囲 -50...+50

スイッチング出力をメニューから設定する場合は、Q_X を適合させます。

ボタン Run を押すとメニューを閉じます。

62.3 ボタンのロック

ボタンロック: ボタン (Run) を 1 秒より長く押します

ボタンロック解除: ボタン (Run) をもう一度 1 秒より長く押します

63 トラブルシューティング

63.1 トラブルシューティング

トラブルシューティングの表は、センサが機能しなくなった場合に、どのような対策を講じるべきかを示しています。

63.2 故障診断表

LED 表示灯/故障パターン / LED indicator/fault pattern	原因 / Cause	対策 / Measures
緑色の LED が点灯しない / Green LED does not light up	無電圧、または電圧が限界値 以下 / No voltage or voltage below the limit values	電源を確認し、すべての電気 接続（ケーブルおよびプラグ 接続）を確認します / Check the power supply, check all electrical connections (cables and plug connections)
緑色の LED が点灯しない / Green LED does not light up	電圧がきていない又は不安 定 / Voltage interruptions	安定した電源電圧が供給さ れていることを確認します / Ensure there is a stable power supply without interruptions
緑色の LED が点灯しない / Green LED does not light up	センサの異常 / Sensor is faulty	電源に問題がなければ、セン サを交換します / If the power supply is OK, replace the sensor
黄色い LED が点灯、光軸に対 象物がない / Yellow LED lights up, no object in the path of the beam	センサと背景の間隔が短す ぎる / / Distance between the sensor and the background is too short	検出範囲を縮小します。グ ラフ F を参照。 / Reduce the sensing range, see graphic F
対象物は光軸にある、黄色い LED は点灯しない / Object is in the path of the beam, yellow LED does not light up	センサと対象物の間隔が長 すぎる、または検出範囲の設 定が短すぎる / Distance between the sensor and the object is too long or sensing range is set too short	検出範囲を拡大します。グ ラフ F を参照。 / Increase the sensing range, see graphic F

64 技術仕様（抜粋）

64.1 技術仕様（抜粋）

	WTT190L-Kxxx
レーザークラス	1
検出範囲	0.2 ... 3.0 m ¹⁾

	WTT190L-Kxxx
最大検出範囲	0.2 ... 3.0 m ¹⁾
光点のスポット径/距離	~ 12.0 mm / 3.0 m
供給電圧 U _v	DC 10 ... 30 V ²⁾
出力電流 I _{max}	≤ 100 mA
最大スイッチング周波数	AVG 1: 833 Hz, AVG 4: 500 Hz, AVG 16: 147 Hz, AVG 64: 38 Hz, AVG 256: 10 Hz ^{3) 4)5)}
最大応答時間	AVG 1: 0.6 ms, AVG 4: 1 ms, AVG 16: 3.4 ms, AVG 64: 13 ms, AVG 256: 51.4 ms ^{6) 4)5)}
保護等級	IP 67
保護クラス	III
回路保護	A, B, C ⁷⁾
周辺温度 (作動中)	-30 ... +50 °C ⁸⁾
¹⁾ 反射率 6 % ... 90 % の対象物 (DIN 5033 に準拠した白色) ²⁾ 限界値: 短絡保護の操作は最大 8 A; 残留リップルは最大 5 V _{ss} ³⁾ ライト/ダークの比率 1:1 ⁴⁾ 平均値フィルタによる影響を受けます。 ⁵⁾ 対象物への距離、背景への距離、選択したスイッチング閾値に応じる ⁶⁾ 負荷のある信号経過時間 ⁷⁾ A = UV 電源電圧逆接保護 B = 入出力 逆接保護 C = 干渉パルス抑制 ⁸⁾ TU < -10 °C: ウォームアップ時間 < 10 min の場合; UV>=24 V。	

65 解体および廃棄

センサは必ず該当国の規制にしたがって処分してください。廃棄処理の際には、できるだけ構成材料をリサイクルするよう努めてください (特に貴金属類)。

66 メンテナンス

SICK センサはメンテナンスフリーです。

定期的に以下を行うことをお勧めしています:

- ・ レンズ境界面の清掃
- ・ ネジ締結と差込み締結の点検

機器を改造することは禁止されています。

記載内容につきましては予告なしに変更する場合がございますのであらかじめご了承ください。指定された製品特性および技術データは保証書ではありません。

Обучение PowerProx Small - WTT190L-Kxxx

Многозадачный фотоэлектрический датчик

SICK
Sensor Intelligence.



de
en
es
fr
it
ja
pt
ru
zh

Описание продукта

Обучение PowerProx Small - WTT190L-Kxxxx

Изготовитель

SICK AG
Erwin-Sick-Str. 1
79183 Waldkirch
Deutschland (Германия)

Правовые примечания

Данная документация защищена авторским правом. Обоснованные таким образом права сохраняются за фирмой SICK AG. Тиражирование документации или ее части допускается только в рамках положений закона об авторских правах. Внесение в документацию изменений, сокращение или перевод ее содержания без однозначного письменного согласия фирмы SICK AG запрещено.

Товарные знаки, упомянутые в данном документе, являются собственностью соответствующего владельца.

© SICK AG Все права защищены.

Оригинальный документ

Настоящий документ является оригинальным документом SICK AG.




Содержание

67	Безопасность.....	105
67.1	Указания по безопасности.....	105
68	Описание изделия.....	105
68.1	Надлежащее применение.....	105
68.2	Масштабный чертёж.....	106
69	Ввод в эксплуатацию.....	106
69.1	Проверка условий применения:.....	106
69.2	Монтаж.....	107
69.3	Электроника.....	107
69.4	Принцип действия программируемого входа.....	108
69.5	Выверка.....	108
70	Конфигурирование.....	108
70.1	Настройка переключающего выхода с помощью кнопки быстрого выбора обучения (-/Q1) (+/Q2) (Set/Q3).....	108
70.2	Настройка переключающих выходов, а также задание прочих параметров датчика через меню.....	109
70.3	Блокировка кнопок.....	112
71	Устранение неисправностей.....	112
71.1	Устранение неисправностей.....	112
71.2	Таблица диагностики неисправностей.....	112
72	Технические характеристики.....	113
72.1	Технические характеристики.....	113
73	Демонтаж и утилизация.....	114
74	Техобслуживание.....	114

67 Безопасность

67.1 Указания по безопасности

- Перед вводом в эксплуатацию изучите руководство по эксплуатации.
- Подключение, монтаж и установку поручать только специалистам.
- Не является оборудованием для обеспечения безопасности в соответствии с Директивой ЕС по работе с машинным оборудованием.
- UL: Только для использования в областях применения согласно NFPA 79. Эти устройства должны быть защищены предохранителем 1 А, подходящим для 30 В постоянного тока. Доступны адаптеры с соединительными кабелями, перечисленные UL. Enclosure type 1.
- При вводе в эксплуатацию защищать устройство от попадания грязи и влаги.
- Данное руководство по эксплуатации содержит информацию, которая необходима во время всего жизненного цикла сенсора.

LASERKLASSE 1	
	Laser 1
EN/IEC 60825-1:2014 IEC60825-1:2007	
Maximum pulse power < 64 mW Puls length: 9 ns Wavelength: 650 nm	
Complies with 21 CFR 1040.10 and 1040.11 except for deviations pursuant to Laser Notice No. 50, dated June 24, 2007	



ВНИМАНИЕ

ВНИМАНИЕ: вмешательство или манипуляции или применение не по назначению может привести к опасному воздействию лазерного светового луча.

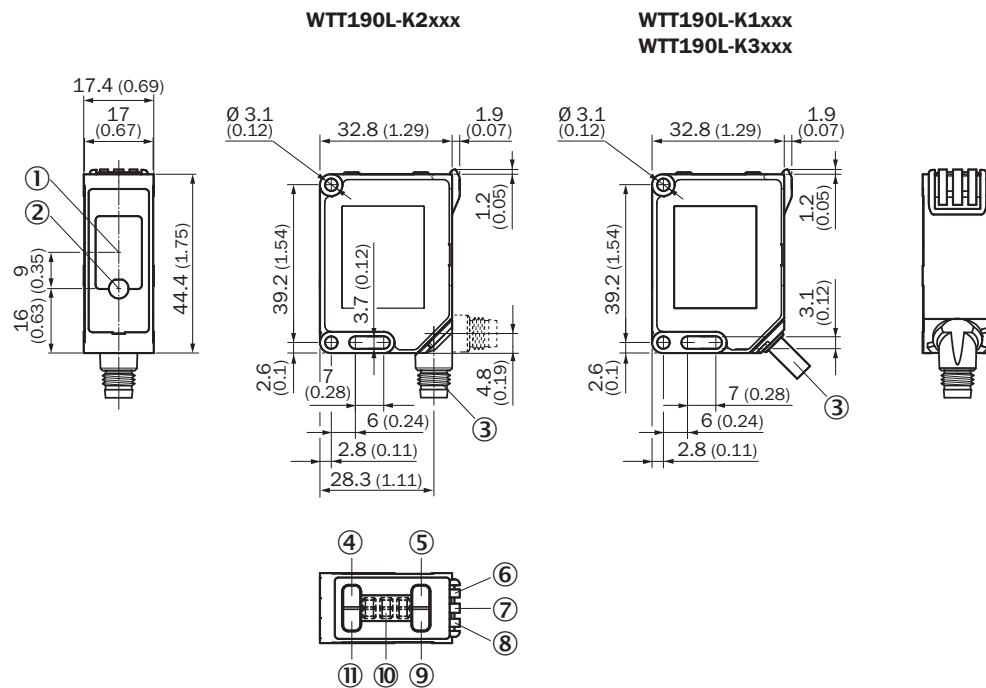
68 Описание изделия

68.1 Надежное применение

WTT190L-Kxxxx является оптоэлектронным фотоэлектрическим датчиком диффузионного типа (в дальнейшем называемым «датчик») и используется для оптической бесконтактной регистрации предметов. В случае использования устройства для иных целей, а также в случае внесения в изделие изменений, любые претензии к компании SICK AG на предоставление гарантии исключаются.

Фотоэлектрический датчик диффузионного типа с подавлением заднего фона и аналоговым выводом значения расстояния.

68.2 Масштабный чертёж



- ① Приемник
- ② Передатчик
- ③ Соединение
- ④ Клавиша RUN
- ⑤ Кнопка (+/Q2)
- ⑥ Индикация выхода (оранжевый)
- ⑦ Индикация стабильности (зелёный / красный), индикация Q3 выход (оранжевый)
- ⑧ Индикация выхода (оранжевый)
- ⑨ Кнопка (-/Q1)
- ⑩ Индикация
- ⑪ Кнопка (SET/Q3)

69 Ввод в эксплуатацию

69.1 Проверка условий применения:

Проверить условия применения: сравнить расстояние срабатывания и дистанцию до объекта / фона, а также яркость объекта с соответствующей диаграммой [см. Н1, Н2] (x = расстояние срабатывания, y = минимальная дистанция между объектом и фоном в мм (коэффициент диффузного отражения объекта / коэффициент диффузного отражения фона)). Коэффициент диффузного отражения: 6 % = чёрный, 90 % = белый (относительно стандартного белого по DIN 5033).

Минимальную дистанцию (y) для подавления заднего фона можно определить по диаграмме [см. Н1 ⑤] следующим образом:

Пример: $x = 1000$ мм, $y = 20$ мм. То есть, фон затемняется при расстоянии > 20 мм от объекта.

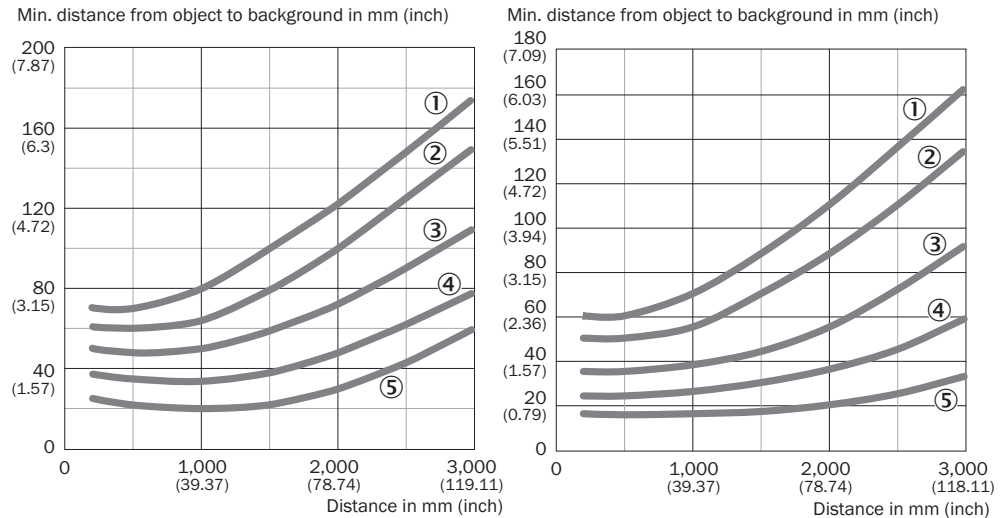


Рисунок: H-1 - Small teach and analog 6%/90% Рисунок: H-2 - Small teach and analog 90%/90%

- ① 6%/90% AVG1
- ② 6%/90% AVG4
- ③ 6%/90% AVG16
- ④ 6%/90% AVG64
- ⑤ 6%/90% AVG256

- ① 90%/90% AVG1
- ② 90%/90% AVG4
- ③ 90%/90% AVG16
- ④ 90%/90% AVG64
- ⑤ 90%/90% AVG256

69.2 Монтаж

Установите сенсор на подходящем крепежном уголке (см. программу принадлежностей от SICK).

Выдерживайте максимально допустимый момент затяжки сенсора в 0.8 Нм.

Соблюдать предпочтительное направление объекта к датчику [см. F].

69.3 Электроника

Подключение датчиков должно производиться при отключенном напряжении питания ($U_V = 0$ В). В зависимости от типа подключения необходимо учитывать информацию, приведенную на графиках [см. В]:

- Штепсельный разъем: назначение контактов
- Кабель: цвет жилы

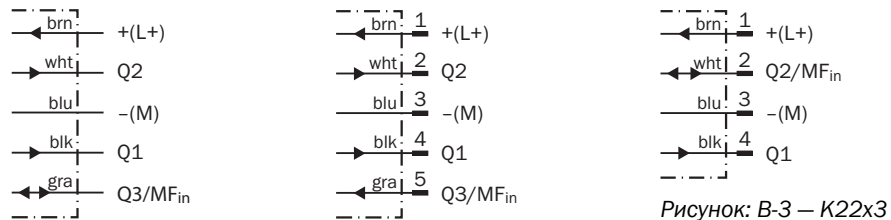


Рисунок: В - WTT190L-K15x4 Рисунок: В-2 - -K35x4

Подавайте напряжение питания и включайте источник напряжения только после завершения подключения всех электрических соединений ($U_V > 0$ В). На сенсоре загорается зелёный светодиодный индикатор.

Пояснения к схеме электрических соединений (график В):

$MFin$ = мультифункция, программируемый вход.

69.4 Принцип действия программируемого входа

		Значение	Примечание
Режим PNP	Неактивен	< 5,0 В	Также неактивен, если не подключён
	Активен	> 10,0 В	Макс. подаваемое напряжение не выше UV
Режим NPN	Неактивен	> 10,0 В	Макс. подаваемое напряжение не выше UV
	Активен	< 4,0 В	Также активен, если не подключён

Программируемый вход должен быть активен для указанного ниже времени (например, в режиме PNP $U > 10,0$ В) для установки соответствующих функций. Доступные функции и их выбор через меню можно найти в „[Настройка переключающих выходов](#), а также задание прочих параметров датчика через меню“, страница 109

Функция	Минимальная продолжительность	Максимальная продолжительность
Отключение лазера	4 мс	-
Внешнее обучение Q1	4 мс	1 с
Внешнее обучение Q2	1 с	2 с

69.5 Выверка

Произведите выверку датчика по одной оси с объектом. Выберите такую позицию, чтобы красный луч передатчика попадал в центр объекта. Необходимо следить за тем, чтобы оптическое отверстие (лицевая панель) датчика было совершенно свободным [см. F]. Мы рекомендуем выполнять настройку с объектом, имеющим низкий коэффициент диффузного отражения.

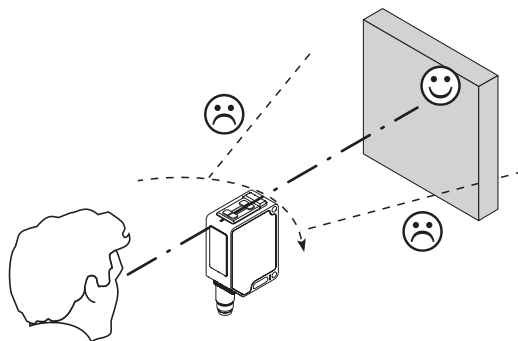


Рисунок: E

70 Конфигурирование

Выполнить параметризацию

70.1 Настройка переключающего выхода с помощью кнопки быстрого выбора обучения (-/Q1) (+/Q2) (Set/Q3)

Регулировка расстояния срабатывания производится нажатием кнопки быстрого выбора обучения > 1 сек.



УКАЗАНИЕ

Кнопка быстрого выбора обучения (Set/Q3) активна только, если ранее в пункте меню MF была выбрана опция OUT. См. раздел Глава 70.2

Не нажимать кнопки обучения острыми предметами. Рекомендуется устанавливать расстояние срабатывания в объекте, например, см. график F. После настройки расстояния срабатывания удалить объект с траектории луча, при этом затемняется фон и изменяется переключающий выход (см. график С).

Датчик настроен и готов к эксплуатации. Для проверки функционирования использовать график С. Если характер поведения переключающего выхода не соответствует графику С, проверить условий эксплуатации. См. раздел Глава 71.

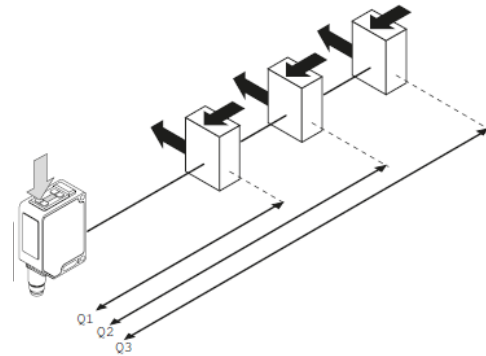


Рисунок: F

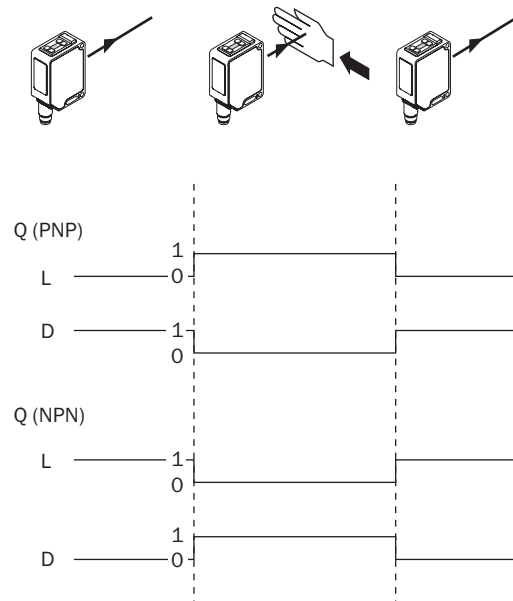


Рисунок: C

70.2 Настройка переключающих выходов, а также задание прочих параметров датчика через меню

Переключающие выходы альтернативным способом также можно настроить через меню. Таким же образом возможно задать прочие параметры датчика через меню. Доступ к меню осуществляется коротким нажатием < 1 сек кнопки Set/Q3. Навигацию в меню описывает рисунок К.

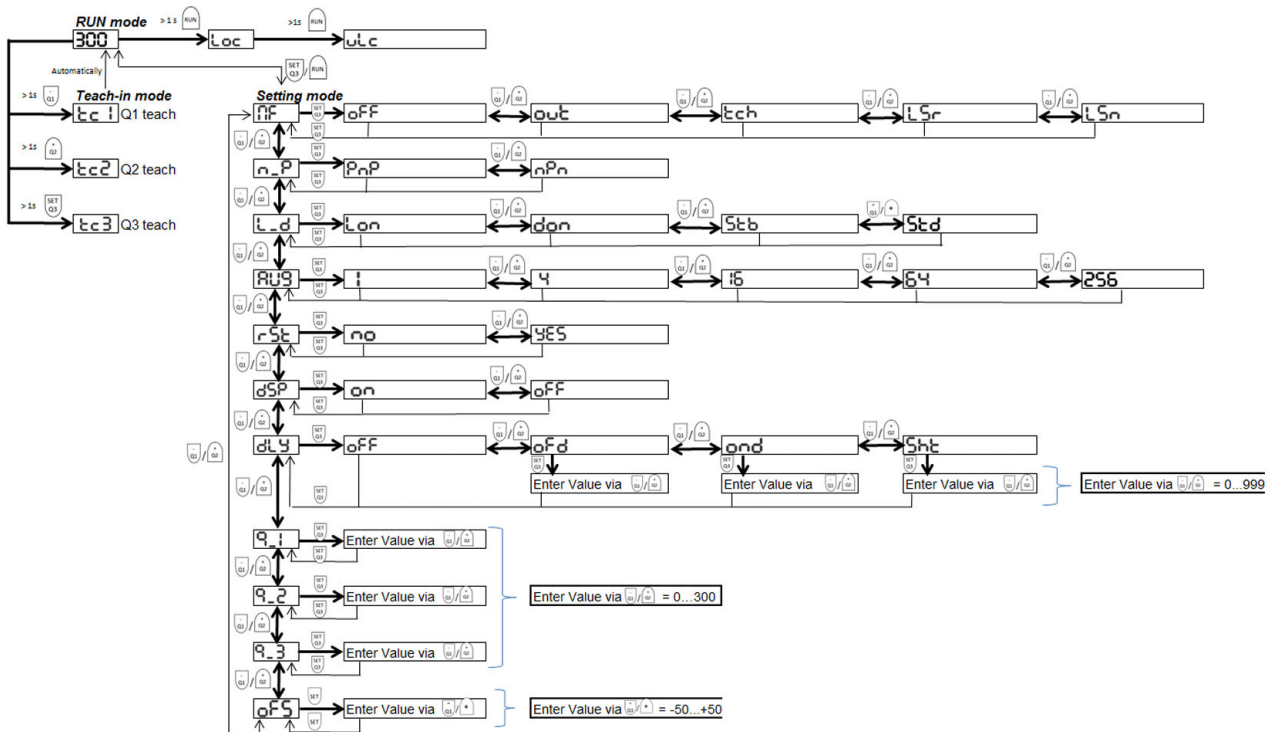


Рисунок 9: К

Следующая таблица поясняет сокращения и показывает возможные настройки.

Таблица 9: Список параметров обучения

Заголовок	Индикация	Описание	Выбор значения	Индикация	Начальное значение	Описание
MF	MF	Делает возможным параметризацию многофункционального входа/выхода.	OFF, OUT, TCH, LSR, LSN	off		Внешний вход неактивен.
				out		При 5-контактных устройствах: контакт 5 или серая жила работает как переключающий выход. При 4-контактных устройствах: контакт 2 работает как переключающий выход.
				tch		Внешний вход представляет собой вход обучения. О принципе действия см. „Электроника“, страница 107
				LSr	X	Внешний вход работает как отключение лазера, высокоактивный.
				LSn		Внешний вход работает как отключение лазера, малоактивный.
N_P	n_P	Переключение режима PNP/NPN.	PNP, NPN	PnP	X	Входы и выходы находятся в режиме PNP.
				nPn		Входы и выходы находятся в режиме NPN.

Заголовок	Индикация	Описание	Выбор значения	Индикация	Начальное значение	Описание
L_D	L_d	Переключение срабатывания при наличии / отсутствии света	LON, DON, STB, STD	Lon	X	Активация при наличии отражённого света: переключающий выход включается, если объект находится ближе, чем запрограммированное в режиме обучения расстояние срабатывания
				don		Активация при отсутствии отражённого света: переключающий выход выключается, если объект находится ближе, чем запрограммированное в режиме обучения расстояние срабатывания.
				Stb		Переключающий выход Q1 выдаёт стабильность регистрации измеряемых величин (таким образом, соответствует LED индикации стабильности). Принцип действия активации при наличии отражённого света.
				Std		Переключающий выход Q1 выдаёт стабильность регистрации измеряемых величин (таким образом, соответствует LED индикации стабильности). Принцип действия активации при отсутствии отражённого света.
AVG	AUG	Установка скользящего среднего арифметического значения	1, 4, 16, 64, 256	64	64	Устанавливает число значений, через которое при выводе сигнала формируется скользящее среднее арифметическое значение. Это успокаивает вывод сигнала. Возможные значения 1, 4, 16, 64 или 256 (например, 1 = без усреднения, 256 = среднее из 256 значений)
RST	rSt	сброс на заводские настройки	НЕТ, ДА	no	X	Нет сброса.
				ДА		Сбросить все значения на заводские настройки за исключением выбора PNP/ NPN.
DSP	dSP	Настройки дисплея	ON, OFF	on	X	Дисплей показывает значение дистанции в сантиметрах.
				oFF		Дисплей выключается через 30 секунд после последнего нажатия кнопки управления.

Заголовок	Индикация	Описание	Выбор значения	Индикация	Начальное значение	Описание
DLY	dLY	Настройка функций времени для переключающих выходов.	OFF, OFD, OND, SHT	oFF	X	Функция времени не активирована.
				oFd		Задержка при выключении, регулируется от 0 ... 999 мс.
				ond		Задержка при включении, регулируется от 0 ... 999 мс.
				Sht		Однотактный режим, регулируется от 0 ... 999 мс.
Q_1	q_1	Упорядочение расстояния к переключающему выходы Q1.	0...300	300	300	Диапазон значений 0 ... 300
Q_2	q_2	Упорядочение расстояния к переключающему выходы Q2.	0...300	300	300	Диапазон значений 0 ... 300
Q_3	q_3	Упорядочение расстояния к переключающему выходы Q3. (только при 5-контактных устройствах)	0...300	300	300	Диапазон значений 0 ... 300
OFS	oFS	Определяет смещение порога переключения (см) при обучении, по отношению к актуальному измеренному значению.	-50...+50	0	0	Диапазон значений -50...+50

Если переключающие выходы настраиваются через меню, необходимо адаптировать входа Q_X.

Меню закрывается нажатием на кнопку Run.

70.3 Блокировка кнопок

Включить блокировку клавиш: нажать кнопку (Run) > 1 с

Выключить блокировку клавиш: снова нажать кнопку (Run) > 1 с

71 Устранение неисправностей

71.1 Устранение неисправностей

В таблице Устранение неисправностей показано, какие меры необходимо предпринять, если датчики не работают.

71.2 Таблица диагностики неисправностей

Светодиодный индикатор / картина неисправности / LED indicator/fault pattern	Причина / Cause	Меры по устранению / Measures
зеленый светодиод не горит / Green LED does not light up	нет напряжения питания или оно ниже нижнего предельного значения / No voltage or voltage below the limit values	Проверить напряжения питания, всю схему электроподключения (проводку и разъемные соединения) /

Светодиодный индикатор / картина неисправности / LED indicator/fault pattern	Причина / Cause	Меры по устранению / Measures
		Check the power supply, check all electrical connections (cables and plug connections)
зеленый светодиод не горит / Green LED does not light up	Пропадание напряжения питания / Voltage interruptions	Обеспечить надежную подачу напряжения питания без его пропадания / Ensure there is a stable power supply without interruptions
зеленый светодиод не горит / Green LED does not light up	Сенсор неисправен / Sensor is faulty	Если напряжение питания в порядке, то заменить сенсор / If the power supply is OK, replace the sensor
желтый светодиод горит, объект на пути луча отсутствует / Yellow LED lights up, no object in the path of the beam	Расстояние между сенсором и фоном слишком мало / Distance between the sensor and the background is too short	Уменьшить расстояние срабатывания, см. график F / Reduce the sensing range, see graphic F
Объект на пути луча, желтый светодиод не горит / Object is in the path of the beam, yellow LED does not light up	Слишком большое расстояние между сенсором и объектом или установлена слишком малая дистанция переключения / Distance between the sensor and the object is too long or sensing range is set too short	Увеличить расстояние срабатывания, см. график F / Increase the sensing range, see graphic F

72 Технические характеристики

72.1 Технические характеристики

	WTT190L-Kxxx
Класс лазера	1
Расстояние срабатывания	0.2 ... 3.0 m ¹⁾
Расстояние срабатывания, макс.	0.2 ... 3.0 m ¹⁾
Диаметр светового пятна/расстояние	~ 12.0 mm / 3.0 m
Напряжение питания U _V	DC 10 ... 30 V ²⁾
Выходной ток I _{макс.}	≤ 100 mA
Частота срабатывания макс.	AVG 1: 833 Hz, AVG 4: 500 Hz, AVG 16: 147 Hz, AVG 64: 38 Hz, AVG 256: 10 Hz ^{3) 4)5)}
Время отклика макс.	AVG 1: 0.6 ms, AVG 4: 1 ms, AVG 16: 3.4 ms, AVG 64: 13 ms, AVG 256: 51.4 ms ^{6) 4)5)}
Класс защиты	IP 67
Класс защиты	III
Схемы защиты	A, B, C ⁷⁾
Диапазон рабочих температур	-30 ... +50 °C ⁸⁾

	WTT190L-Kxxx
1) Сканируемый объект – ремиссия 6 % ... 90 % (относительно стандартного белого по DIN 5033) 2) Предельные значения: эксплуатация в защищенной от короткого замыкания сети макс. 8 A; остаточная волнистость макс. 5 Bss 3) Соотношение светлых и темных участков изображения 1:1 4) Может быть под влиянием фильтра усреднения. 5) В зависимости от расстояния до объекта, расстояния до фона и выбранного порога переключения 6) Продолжительность сигнала при омической нагрузке 7) A = UV-подключения с защитой от перепутывания полюсов B = входы и выходы с защитой от перепутывания полюсов C = подавление импульсных помех 8) При значении TU < -10 °C: время прогрева < 10 мин; UV>=24 V.	

73 Демонтаж и утилизация

Утилизацию сенсоров следует проводить согласно национальным предписаниям по утилизации. Следует стремиться к повторному использованию содержащихся в них материалов (прежде всего, драгоценных металлов).

74 Техобслуживание

Датчики SICK не нуждаются в техобслуживании.

Рекомендуется регулярно

- очищать оптические ограничивающие поверхности
- проверять прочность резьбовых и штекерных соединений

Запрещается вносить изменения в устройства.

Право на ошибки и внесение изменений сохранено. Указанные свойства изделия и технические характеристики не являются гарантией.

Australia

Phone +61 3 9457 0600
1800 334 802 – tollfree
E-Mail sales@sick.com.au

Austria

Phone +43 22 36 62 28 8-0
E-Mail office@sick.at

Belgium/Luxembourg

Phone +32 2 466 55 66
E-Mail info@sick.be

Brazil

Phone +55 11 3215-4900
E-Mail marketing@sick.com.br

Canada

Phone +1 905 771 14 44
E-Mail information@sick.com

Czech Republic

Phone +420 2 57 91 18 50
E-Mail sick@sick.cz

Chile

Phone +56 2 2274 7430
E-Mail info@schadler.com

China

Phone +86 20 2882 3600
E-Mail info.china@sick.net.cn

Denmark

Phone +45 45 82 64 00
E-Mail sick@sick.dk

Finland

Phone +358-9-2515 800
E-Mail sick@sick.fi

France

Phone +33 1 64 62 35 00
E-Mail info@sick.fr

Germany

Phone +49 211 5301-301
E-Mail info@sick.de

Hong Kong

Phone +852 2153 6300
E-Mail ghk@sick.com.hk

Hungary

Phone +36 1 371 2680
E-Mail office@sick.hu

India

Phone +91 22 6119 8900
E-Mail info@sick-india.com

Israel

Phone +972 4 6881000
E-Mail info@sick-sensors.com

Italy

Phone +39 02 274341
E-Mail info@sick.it

Japan

Phone +81 3 5309 2112
E-Mail support@sick.jp

Malaysia

Phone +6 03 8080 7425
E-Mail enquiry.my@sick.com

Mexico

Phone +52 (472) 748 9451
E-Mail mario.garcia@sick.com

Netherlands

Phone +31 30 2044 000
E-Mail info@sick.nl

New Zealand

Phone +64 9 415 0459
0800 222 278 – tollfree
E-Mail sales@sick.co.nz

Norway

Phone +47 67 81 50 00
E-Mail sick@sick.no

Poland

Phone +48 22 539 41 00
E-Mail info@sick.pl

Romania

Phone +40 356 171 120
E-Mail office@sick.ro

Russia

Phone +7 495 775 05 30
E-Mail info@sick.ru

Singapore

Phone +65 6744 3732
E-Mail sales.gsg@sick.com

Slovakia

Phone +421 482 901201
E-Mail mail@sick-sk.sk

Slovenia

Phone +386 591 788 49
E-Mail office@sick.si

South Africa

Phone +27 11 472 3733
E-Mail info@sickautomation.co.za

South Korea

Phone +82 2 786 6321
E-Mail info@sickkorea.net

Spain

Phone +34 93 480 31 00
E-Mail info@sick.es

Sweden

Phone +46 10 110 10 00
E-Mail info@sick.se

Switzerland

Phone +41 41 619 29 39
E-Mail contact@sick.ch

Taiwan

Phone +886 2 2375-6288
E-Mail sales@sick.com.tw

Thailand

Phone +66 2645 0009
E-Mail Ronnie.Lim@sick.com

Turkey

Phone +90 216 528 50 00
E-Mail info@sick.com.tr

United Arab Emirates

Phone +971 4 88 65 878
E-Mail info@sick.ae

United Kingdom

Phone +44 1727 831121
E-Mail info@sick.co.uk

USA

Phone +1 800 325 7425
E-Mail info@sick.com

Vietnam

Phone +84 945452999
E-Mail Ngo.Duy.Linh@sick.com

Further locations at www.sick.com

