

OPERATING INSTRUCTIONS

LBV 330
- NAMUR



GB

SICK
Sensor Intelligence.

Contents

1	About this document	
1.1	Function	4
1.2	Target group	4
1.3	Symbolism used	4
2	For your safety	
2.1	Authorised personnel	5
2.2	Appropriate use	5
2.3	Warning about misuse	5
2.4	General safety instructions	5
2.5	Safety label on the instrument	6
2.6	CE conformity	6
2.7	Safety instructions for Ex areas	6
3	Product description	
3.1	Structure	7
3.2	Principle of operation	8
3.3	Operation	8
3.4	Storage and transport	9
4	Mounting	
4.1	General instructions	10
4.2	Mounting instructions	11
5	Connecting to power supply	
5.1	Preparing the connection	16
5.2	Connection procedure	16
5.3	Wiring plan, single chamber housing	17
6	Set up	
6.1	In general	20
6.2	Adjustment elements	20
6.3	Functional chart	21
6.4	Recurring function test	22
7	Maintenance and fault rectification	
7.1	Maintenance	25
7.2	Rectify faults	25
7.3	Exchanging the electronics module	26
7.4	Instrument repair	28
8	Dismounting	
8.1	Dismounting steps	29
8.2	Disposal	29
9	Supplement	
9.1	Technical data	30
9.2	Dimensions	33

Supplementary documentation



Information:

Supplementary documents appropriate to the ordered version come with the delivery. You can find them listed in chapter "*Product description*".

Instructions manuals for accessories and replacement parts



Tip:

To ensure reliable setup and operation of your LBV 330, we offer accessories and replacement parts. The corresponding documentations are:

- 36052 - Electronics module LBV series 300
- 36056 - Lock fitting for LBV 330, unpressurized operation
- 36057 - Lock fitting for LBV 330, pressure range -1 ... 16 bar

1 About this document

1.1 Function

This operating instructions manual provides all the information you need for mounting, connection and setup as well as important instructions for maintenance and fault rectification. Please read this information before putting the instrument into operation and keep this manual accessible in the immediate vicinity of the device.

1.2 Target group

This operating instructions manual is directed to trained qualified personnel. The contents of this manual should be made available to these personnel and put into practice by them.

1.3 Symbolism used



Information, tip, note

This symbol indicates helpful additional information.



Caution: If this warning is ignored, faults or malfunctions can result.

Warning: If this warning is ignored, injury to persons and/or serious damage to the instrument can result.

Danger: If this warning is ignored, serious injury to persons and/or destruction of the instrument can result.



Ex applications

This symbol indicates special instructions for Ex applications.



List

The dot set in front indicates a list with no implied sequence.



Action

This arrow indicates a single action.



Sequence

Numbers set in front indicate successive steps in a procedure.

2 For your safety

2.1 Authorised personnel

All operations described in this operating instructions manual must be carried out only by trained specialist personnel authorised by the plant operator.

During work on and with the device the required personal protective equipment must always be worn.

2.2 Appropriate use

The LBV 330 is a sensor for level detection.

You can find detailed information on the application range in chapter "*Product description*".

Operational reliability is ensured only if the instrument is properly used according to the specifications in the operating instructions manual as well as possible supplementary instructions.

For safety and warranty reasons, any invasive work on the device beyond that described in the operating instructions manual may be carried out only by personnel authorised by the manufacturer. Arbitrary conversions or modifications are explicitly forbidden.

2.3 Warning about misuse

Inappropriate or incorrect use of the instrument can give rise to application-specific hazards, e.g. vessel overfill or damage to system components through incorrect mounting or adjustment.

2.4 General safety instructions

This is a high-tech instrument requiring the strict observance of standard regulations and guidelines. The user must take note of the safety instructions in this operating instructions manual, the country-specific installation standards as well as all prevailing safety regulations and accident prevention rules.

The instrument must only be operated in a technically flawless and reliable condition. The operator is responsible for trouble-free operation of the instrument.

During the entire duration of use, the user is obliged to determine the compliance of the necessary occupational safety measures with the current valid rules and regulations and also take note of new regulations.

2.5 Safety label on the instrument

The safety approval markings and safety tips on the device must be observed.

2.6 CE conformity

This device fulfills the legal requirements of the applicable EC guidelines. By attaching the CE mark, we provide confirmation of successful testing.

2.7 Safety instructions for Ex areas

Please note the Ex-specific safety information for installation and operation in Ex areas. These safety instructions are part of the operating instructions manual and come with the Ex-approved instruments.

3 Product description

3.1 Structure

Scope of delivery

The scope of delivery encompasses:

- Point level sensor LBV 330
- Documentation
 - this operating instructions manual
 - Ex-specific "*Safety instructions*" (with Ex versions)
 - if necessary, further certificates

Constituent parts

The LBV 330 consists of the following components:

- Housing cover
- Housing with electronics
- Process fitting with tuning fork

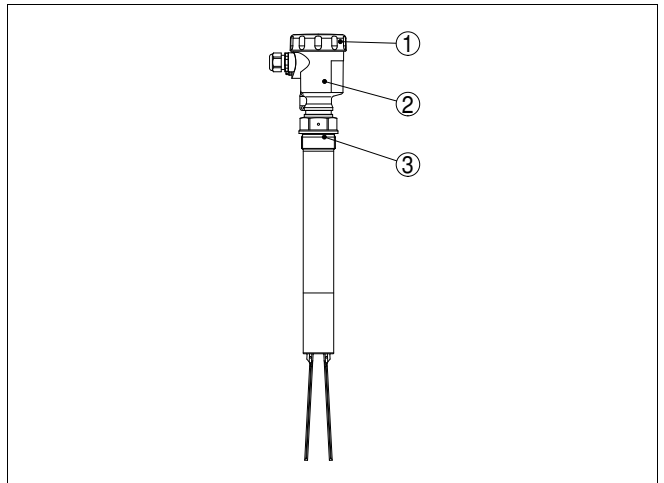


Fig. 1: LBV 330 - with plastic housing

- 1 Housing cover
- 2 Housing with electronics
- 3 Process fitting

Type label

The type label contains the most important data for identification and use of the instrument:

- Article number
- Serial number
- Technical data
- Article numbers, documentation

In addition to the type label outside on the instrument, you find the serial number also inside the instrument.

3.2 Principle of operation

Application area

LBV 330 is a point level sensor with tuning fork for level detection.

It is designed for industrial use in all areas of process technology and is preferably used for bulk solids.

Typical applications are overfill and dry run protection. Thanks to its simple and robust measuring system, LBV 330 is virtually unaffected by the chemical and physical properties of the bulk solid.

It also works when subjected to strong external vibrations or changing products.

Fault monitoring

The electronics module of LBV 330 monitors continuously the following criteria:

- Correct vibrating frequency
- Line break to the piezo drive

If one of these faults is detected, the electronics signals this via a defined current to the signal conditioning instrument. The connection cable to the vibrating element is also monitored.

Functional principle

The tuning fork is piezoelectrically energised and vibrates at its mechanical resonance frequency of approx. 150 Hz. When the tuning fork is submerged in the product, the vibration amplitude changes. This change is detected by the integrated electronics module and converted into a switching command.

Voltage supply

LBV 330 with NAMUR electronics can be connected to different NAMUR amplifiers depending on your requirements. The specifications for NAMUR amplifiers are available in the "*Technical data*".

The data for power supply are specified in chapter "*Technical data*".

3.3 Operation

With the factory setting, products with a density of $> 0.02 \text{ g/cm}^3$ (0.0008 lbs/in^3) can be measured. The instrument can also be adapted to products with lower density $> 0.008 \text{ g/cm}^3$ (0.0003 lbs/in^3).

On the electronics module you will find the following indicating and adjustment elements:

- Signal lamp for indication of the switching condition (yellow)
- Potentiometer for adaptation to the product density
- Mode switch to select the switching condition (reverse characteristics)
- Simulation key

3.4 Storage and transport

Packaging	<p>Your instrument was protected by packaging during transport. Its capacity to handle normal loads during transport is assured by a test according to DIN EN 24180.</p> <p>The packaging of standard instruments consists of environment-friendly, recyclable cardboard. In addition, the sensor is provided with a protective cover of paperboard. For special versions PE foam or PE foil is also used. Dispose of the packaging material via specialised recycling companies.</p>
Transport	<p>Transport must be carried out under consideration of the notes on the transport packaging. Nonobservance of these instructions can cause damage to the device.</p>
Transport inspection	<p>The delivery must be checked for completeness and possible transit damage immediately at receipt. Ascertained transit damage or concealed defects must be appropriately dealt with.</p>
Storage	<p>Up to the time of installation, the packages must be left closed and stored according to the orientation and storage markings on the outside.</p> <p>Unless otherwise indicated, the packages must be stored only under the following conditions:</p> <ul style="list-style-type: none">● Not in the open● Dry and dust free● Not exposed to corrosive media● Protected against solar radiation● Avoiding mechanical shock and vibration
Storage and transport temperature	<ul style="list-style-type: none">● Storage and transport temperature see chapter "<i>Supplement - Technical data - Ambient conditions</i>"● Relative humidity 20 ... 85 %

4 Mounting

4.1 General instructions

Suitability for the process conditions

Make sure that all parts of the instrument exposed to the process, in particular the sensor element, process seal and process fitting, are suitable for the existing process conditions. These include above all the process pressure, process temperature as well as the chemical properties of the medium.

You can find the specifications in chapter "*Technical data*" or on the type label.

Switching point

In general, LBV 330 can be installed in any position. The instrument only has to be mounted in such a way that the vibrating element is at the height of the desired switching point.

Moisture

Use the recommended cables (see chapter "*Connecting to power supply*") and tighten the cable gland.

You can give your instrument additional protection against moisture penetration by leading the connection cable downward in front of the cable entry. Rain and condensation water can thus drain off. This applies mainly to outdoor mounting as well as installation in areas where high humidity is expected (e.g. through cleaning processes) or on cooled or heated vessels.

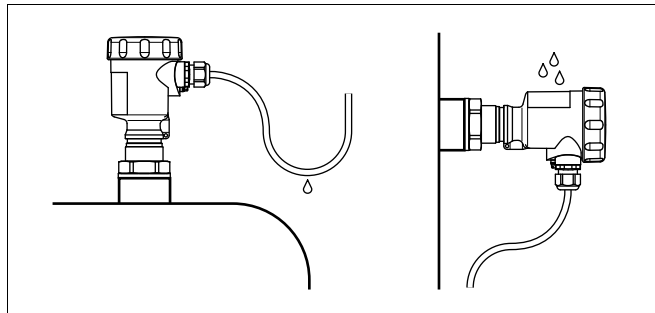


Fig. 2: Measures against moisture penetration

Transport

Do not hold LBV 330 on the vibrating element. Especially with flange and tube versions, the sensor can be damaged by the weight of the instrument.

Remove the protective cover just before mounting.

Pressure/Vacuum

The process fitting must be sealed if there is gauge or low pressure in the vessel. Before use, check if the seal material is resistant against the measured product and the process temperature.

The max. permissible pressure is specified in chapter "*Technical data*" or on the type label of the sensor.

Handling

The vibrating level switch is a measuring instrument and must be treated accordingly. Bending the vibrating element will destroy the instrument.



Warning:

The housing must not be used to screw the instrument in! Applying tightening force can damage internal parts of the housing.

Use the hexagon above the thread for screwing in.

4.2 Mounting instructions

Agitators and fluidization

Due to the effects of agitators, equipment vibration or similar, the level switch can be subjected to strong lateral forces. For this reason, do not use an overly long extension tube for LBV 330, but check if you can mount a short level switch on the side of the vessel in horizontal position.

Extreme vibration caused by the process or the equipment, e.g. agitators or turbulence in the vessel e.g. from fluidization, can cause the extension tube of LBV 330 to vibrate in resonance. This leads to increased stress on the upper weld joint. Should a longer tube version be necessary, you can provide a suitable support directly above the tuning fork to secure the extension tube.



This measure applies mainly to applications in Ex areas. Make sure that the tube is not subject to bending stress due to this measure.

Inflowing medium

If LBV 330 is mounted in the filling stream, unwanted false measurement signals can be generated. For this reason, mount LBV 330 at a position in the vessel where no disturbances, e.g. from filling openings, agitators, etc., can occur.

This applies particularly to instrument types with long extension tube.

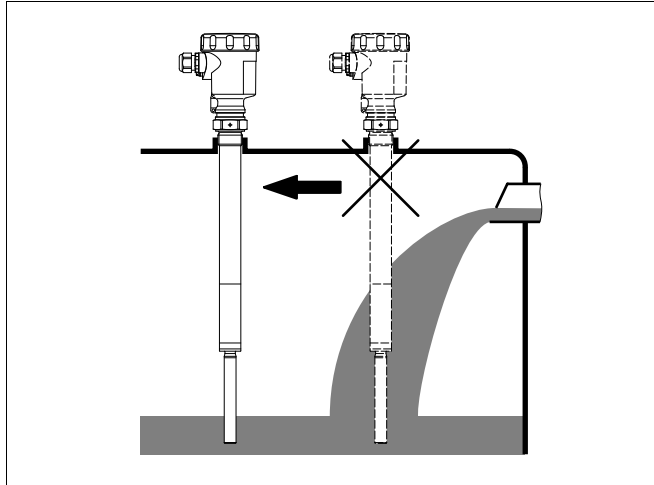


Fig. 3: Inflowing medium

Lock fitting

LBV 330 can be mounted with a lock fitting for height adjustment. Take note of the pressure information of the lock fitting.

Socket

The vibrating element should protrude into the vessel to avoid buildup. For that reason, avoid using mounting bosses for flanges and screwed fittings. This applies particularly to use with adhesive products.

Material cone

In silos for bulk solids, material cones can form and change the switching point. Please keep this in mind when installing the sensor in the vessel. We recommend selecting an installation location where the vibrating fork detects an average value of the material cone.

The tuning fork must be mounted in a way that takes the arrangement of the filling and emptying apertures into account.

To compensate measurement errors caused by the material cone in cylindrical vessels, the sensor must be mounted at a distance of $d/6$ from the vessel wall.

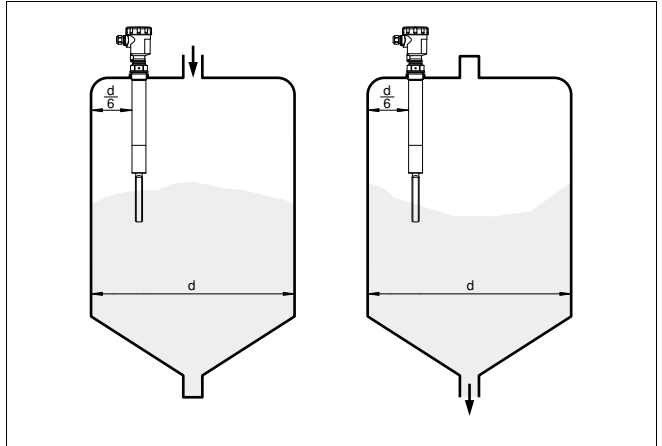


Fig. 4: Filling and emptying centred

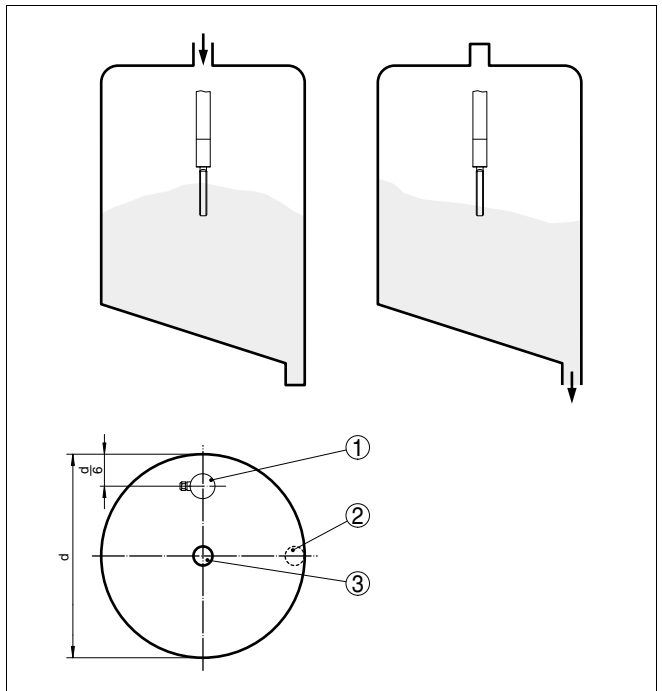


Fig. 5: Filling in the centre, emptying laterally

- 1 LBV 330
- 2 Discharge opening
- 3 Filling opening

Flows

To minimise flow resistance caused by the tuning fork, LBV 330 should be mounted in such a way that the surfaces of the blades are parallel to the product movement.

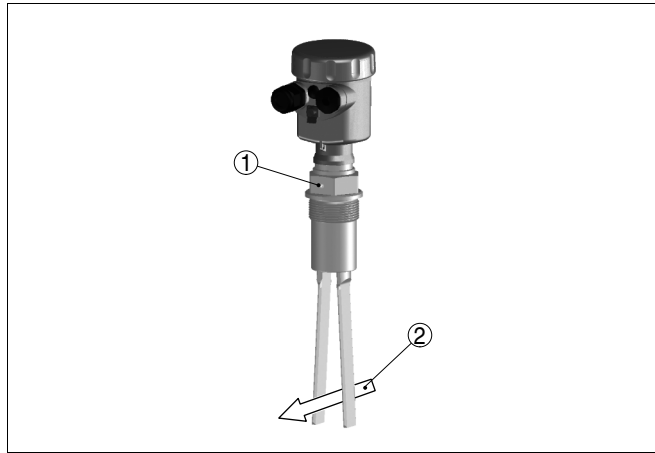


Fig. 6: Flow orientation of the tuning fork

- 1 Marking with screwed version
- 2 Direction of flow

Baffle protection against falling rocks

In applications such as grit chambers or settling basins for coarse sediments, the vibrating element must be protected against damage with a suitable baffle.

This baffle must be manufactured by you.

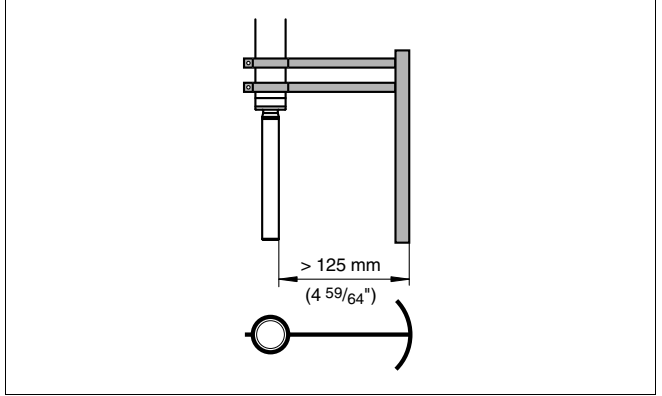


Fig. 7: Baffle for protection against mechanical damage

5 Connecting to power supply

5.1 Preparing the connection

Note safety instructions

Always keep in mind the following safety instructions:

- Connect only in the complete absence of line voltage

Take note of safety instructions for Ex applications



In hazardous areas you should take note of the appropriate regulations, conformity and type approval certificates of the sensors and power supply units.

Voltage supply

Connect the operating voltage according to the following diagrams. Take note of the general installation regulations. As a rule, connect LBV 330 to vessel ground (PA), or in case of plastic vessels, to the next ground potential. On the side of the instrument housing there is a ground terminal between the cable entries. This connection serves to drain off electrostatic charges. In Ex applications, the installation regulations for hazardous areas must be given priority.

The data for power supply are specified in chapter "*Technical data*".

Connection cable

The instrument is connected with standard two-wire cable without screen. If electromagnetic interference is expected which is above the test values of EN 61326 for industrial areas, screened cable should be used.

Use cable with round cross-section. A cable outer diameter of 5 ... 9 mm (0.2 ... 0.35 in) ensures the seal effect of the cable gland. If you are using cable with a different diameter or cross-section, exchange the seal or use a suitable cable gland.

Connection cable for Ex applications



In hazardous areas, only use approved cable connections for LBV 330.



Take note of the corresponding installation regulations for Ex applications.

5.2 Connection procedure



With Ex instruments, the housing cover may only be opened if there is no explosive atmosphere present.

Proceed as follows:

- 1 Unscrew the housing cover
- 2 Loosen compression nut of the cable entry
- 3 Remove approx. 10 cm (4 in) of the cable mantle, strip approx. 1 cm (0.4 in) of insulation from the ends of the individual wires
- 4 Insert the cable into the sensor through the cable entry

- 5 Lift the opening levers of the terminals with a screwdriver (see following illustration)

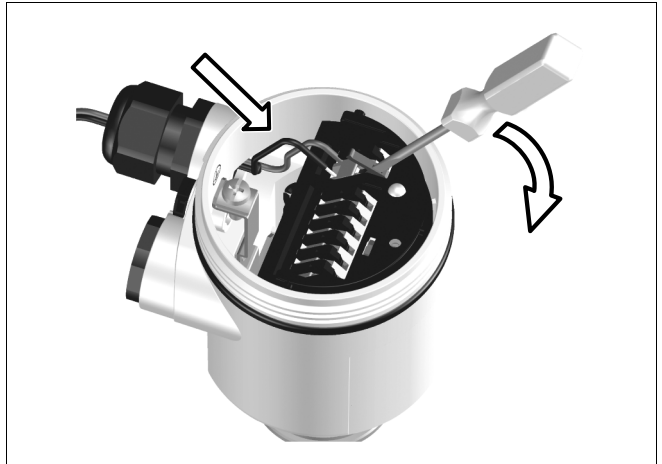


Fig. 8: Connection steps 5 and 6

- 6 Insert the wire ends into the open terminals according to the wiring plan
 - 7 Press down the opening levers of the terminals, you will hear the terminal spring closing
 - 8 Check the hold of the wires in the terminals by lightly pulling on them
 - 9 Tighten the compression nut of the cable entry. The seal ring must completely encircle the cable
 - 10 If necessary, carry out a fresh adjustment
 - 11 Screw the housing cover on
- The electrical connection is finished.

5.3 Wiring plan, single chamber housing



The following illustrations apply to the non-Ex as well as to the EEx-d version.

Housing overview

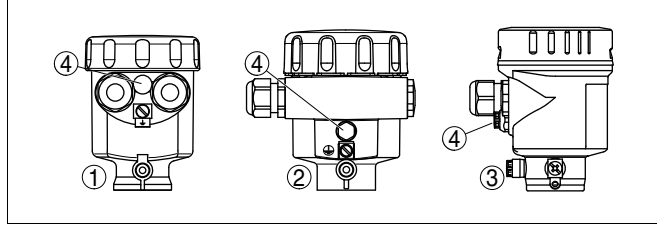


Fig. 9: Material versions, single chamber housing

- 1 Plastic (not with EEx d)
- 2 Aluminium
- 3 Stainless steel, electro-polished
- 4 Filter element for air pressure compensation

Wiring plan

For connection of the amplifier according to NAMUR (IEC 60947-5-6, EN 50227). You can find further information in the "Technical data".

Further information you will find in the "Technical data", "Ex technical data" are specified in the attached "Safety instructions manual".

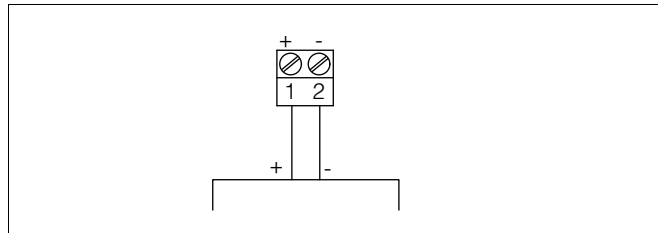


Fig. 10: Wiring plan, single chamber housing

External simulation key

In addition to the test key on the electronics module, you can connect an external key to start the test procedure. Connect the key according to the following wiring plan. In shipping condition, terminals 3 and 4 are bridged.

For additional information see "Recurring function test".

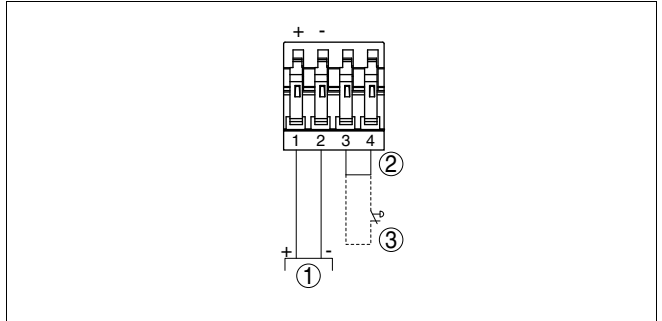


Fig. 11: Wiring plan - External simulation key

- 1 NAMUR amplifier
- 2 Bridge
- 3 External simulation key

6 Set up

6.1 In general

The figures in brackets refer to the following illustrations.

Function/Configuration

On the electronics module you will find the following indicating and adjustment elements:

- Potentiometer for adaptation to the product density (1)
- DIL switch for mode adjustment - min./max. (2)
- Simulation key (3)
- Signal lamp (6)

6.2 Adjustment elements

Electronics and connection compartment

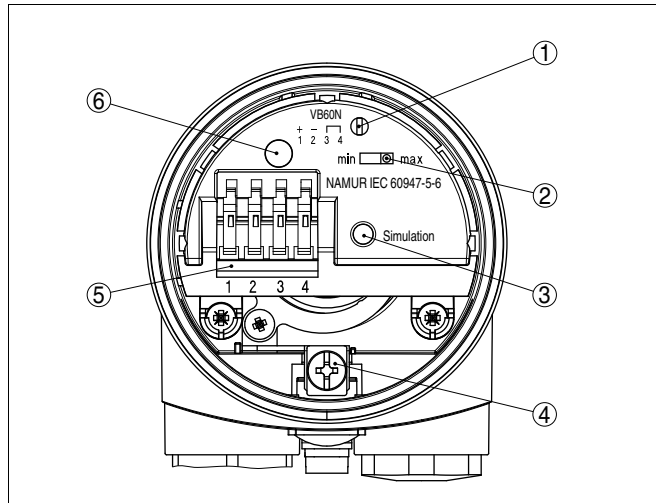


Fig. 12: Electronics and connection compartment - NAMUR output

- 1 Potentiometer for switching point adaptation
- 2 DIL switch for characteristics reversal
- 3 Simulation key
- 4 Ground terminal
- 5 Connection terminals
- 6 Control lamp

Switching point adaptation (1)

With the potentiometer you can adapt the switching point to the solid. It is already preset and must only be modified in special cases.

By default, the potentiometer of LBV 330 is set to the right stop ($> 0.02 \text{ g/cm}^3$ or 0.0008 lbs/in^3). In case of very light-weight solids, turn the potentiometer to the left stop ($> 0.008 \text{ g/cm}^3$ or 0.0003 lbs/in^3). LBV 330 will thus be more sensitive and can detect light-weight solids more reliably.

Characteristics reversal (2)

The characteristics reversal can be carried out with the DIL switch. You can choose between falling characteristic curve (switch position max.) and rising characteristic curve (switch position min.). This allows you to output the desired current.

Modes

- min. - rising characteristic curve (High current when immersed)
- max. - falling characteristics (Low current when immersed)

The NAMUR output can be switched over to falling or rising characteristics (see also "*Function chart*").

Simulation key (3)

The simulation key is located in a recess on the upper side of the electronics module. Push the simulation key with a suitable object (screwdriver, pen, etc.).

When the key is pushed, a line break between sensor and processing unit is simulated. The signal lamp on the sensor extinguishes. The measuring system must signal a fault and take on a safe condition when the key is pushed.

Keep in mind that downstream connected instruments will be activated during operation. This allows you to check the correct function of the measuring system.

Signal lamp (6)

Control lamp (LED) for indication of the switching condition

- yellow = High current $\geq 2.4 \text{ mA}$
- dark = Low current $\leq 1 \text{ mA}$
- yellow (flashing) = Failure $\leq 1 \text{ mA}$

6.3 Functional chart

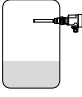



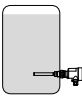

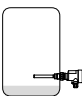


LBV 330 level switch

The following chart provides an overview of the switching conditions depending on the adjusted mode and level.



Note:

The mode setting on the NAMUR amplifier must be selected in such a way that the switching output takes on safe condition in case of failure ($I \leq 1 \text{ mA}$).

	Level	Signal current - Sensor	Control lamp
Falling characteristics max.		$\geq 2.4 \text{ mA}$	
Falling characteristics min.		$\leq 1 \text{ mA}$	
Rising characteristics min.		$\geq 2.4 \text{ mA}$	
Rising characteristics max.		$\leq 1 \text{ mA}$	
Failure	any	$\leq 1 \text{ mA}$	 flashes

6.4 Recurring function test

According to IEC 61508.

LBV 330 is qualified in mode A (overflow protection) for use in measuring chains of stage SIL2 according to IEC 61508 (redundant, stage SIL3).

SIL

The following instrument combinations meet the requirements according to SIL:

LBV 330

- Oscillator WE60N

Recurring function test

The recurring test according to IEC 61508 can be carried out by pushing the simulation key on the electronics module or by briefly (> 2 seconds) interrupting the cable to the sensor. The correct sequence of the switching conditions must be monitored via the switching amplifier as well as the connected systems. The sensor must neither be removed nor response must be triggered by filling the vessel. This applies to LBV 330 with NAMUR electronics module WE60N.

You can carry out the function test with the outputted current values also directly via a safety PLC or a process control system.

Simulation key on the electronics module

A function test can be carried out for measurement setups in conjunction with the NAMUR electronics module WE60N. For this purpose, the switching delay must be set to 0.5 s. LBV 330 has an integrated simulation key. The simulation key is lowered on the electronics module. Push the simulation key for > 2 seconds.

If LBV 330 is connected to an SPLC, you have to interrupt the connection cable to the sensor for > 2 seconds.

After releasing the simulation key or briefly interrupting the connection cable to the sensor, you can check the complete measuring system on correct function. A switching procedure is simulated during the test.

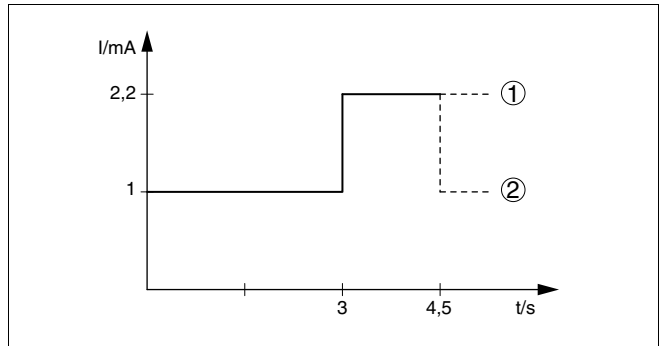


Fig. 22: Flow chart of the function test

- 1 Full signal
- 2 Empty signal

Check if all the switching conditions occur in the correct sequence and the stated time period. If this is not the case, there is a fault in the measuring system. Keep in mind that connected instruments are activated during the function test. This allows you to check the correct function of the measuring system.

Test procedure

(after releasing the simulation key)

	Sensor current	Level relay amplifier - overflow protection	Level relay amplifier - dry run protection	Signal lamp amplifier - overflow protection	Signal lamp amplifier - dry run protection	Signal lamp - sensor
1. Low Current (approx. 3 s)	approx. 1 mA	energized	currentless			

	Sensor current	Level relay amplifier - overflow protection	Level relay amplifier - dry run protection	Signal lamp amplifier - overflow protection	Signal lamp amplifier - dry run protection	Signal lamp - sensor
2. High Current (approx. 1.5 s)	approx. 2.2 mA	currentless	energized	○	☀	☀
3. Return to the actual operating condition						

**Note:**

When used in measuring chains according to IEC 61508, mode B (dry run protection) is not permitted.

You can carry out the function test with the stated current values also directly with a safety PLC or a process control system.

7 Maintenance and fault rectification

7.1 Maintenance

If the instrument is used properly, no special maintenance is required in normal operation.

7.2 Rectify faults

Reaction when malfunctions occur

The operator of the system is responsible for taking suitable measures to remove interferences.

Failure reasons

LBV 330 offers maximum reliability. Nevertheless, faults can occur during operation. These may be caused by the following, e.g.:

- Sensor
- Process
- Voltage supply
- Signal processing

Fault rectification

The first measure to be taken is to check the output signal. In many cases, the causes can be determined this way and the faults rectified.

Checking the switching signal

Error	Cause	Removal
LBV 330 signals "covered" when the vibrating element is not submerged (overflow protection) LBV 330 signals "uncovered" when the vibrating element is submerged (dry run protection)	Operating voltage too low	Check operating voltage
	Electronics defective	Press the characteristic reversal switch. If the instrument then changes the mode, the vibrating element may be covered with buildup or mechanically damaged. Should the switching function in the correct mode still be faulty, return the instrument for repair.
		Push the characteristic reversal switch. If the instrument then does not change the mode, the electronics module may be defective. Exchange the electronics module.
	Unfavourable installation location	Mount the instrument at a location in the vessel where no dead zones or air bubbles can form.
Buildup on the vibrating element	Check the vibrating element and the sensor if there is buildup and remove it.	

Error	Cause	Removal
	Wrong characteristic selected	Set the correct characteristics on the characteristics reversal switch (overflow protection, dry run protection). Wiring should be carried out according to the quiescent current principle.
Signal lamp flashes yellow	Error on the vibrating element	Check if the vibrating element is damage or extremely corroded.
	Interference on the electronics module	Exchanging the electronics module
	instrument defective	Exchange the instrument or send it in for repair

Reaction after fault rectification

Depending on the failure reason and measures taken, the steps described in chapter "Set up" must be carried out again, if necessary.

7.3 Exchanging the electronics module

In general, all electronics modules of series WE60 can be interchanged. If you want to use an electronics module with a different signal output, you can download the corresponding operating instructions manual from our homepage under Downloads.



With EEx d instruments, the housing cover may only be opened if there is no explosive atmosphere present.

Proceed as follows:

- 1 Switch off power supply
- 2 Unscrew the housing cover
- 3 Lift the opening levers of the terminals with a screwdriver
- 4 Pull the connection cables out of the terminals
- 5 Loosen the two screws with a screw driver (Torx size T10 or slot 4)

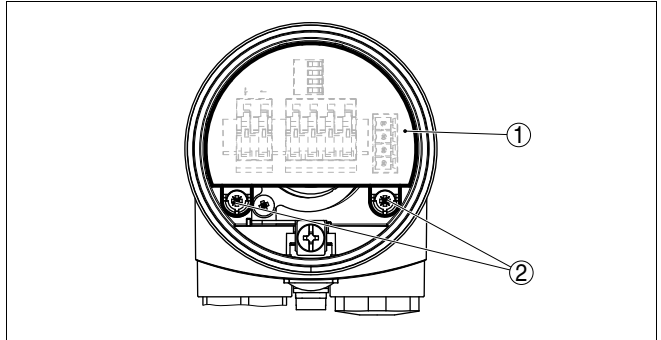


Fig. 26: Loosening the holding screws

- 1 Electronics module
- 2 Screws (2 pcs.)

- 6 Pull out the old electronics module
- 7 Compare the new electronics module with the old one. The type label of the electronics module must correspond to that of the old electronics module. This applies particularly to instruments used in hazardous areas.
- 8 Compare the settings of the two electronics modules. Set the adjustment elements of the new electronics module to the same setting of the old one.



Information:

Make sure that the housing is not rotated during the electronics exchange. Otherwise the plug may be in a different position later.

- 9 Insert the electronics module carefully. Make sure that the plug is in the correct position.
 - 10 Screw in and tighten the two holding screws with a screwdriver (Torx size T10 or Phillips 4)
 - 11 Insert the wire ends into the open terminals according to the wiring plan
 - 12 Press down the opening levers of the terminals, you will hear the terminal spring closing
 - 13 Check the hold of the wires in the terminals by lightly pulling on them
 - 14 Check cable gland on tightness. The seal ring must completely encircle the cable.
 - 15 Screw the housing cover on
- The electronics exchange is now finished.

7.4 Instrument repair

If it is necessary to repair the instrument, please contact the responsible Sick agency.

8 Dismounting

8.1 Dismounting steps



Warning:

Before dismounting, be aware of dangerous process conditions such as e.g. pressure in the vessel, high temperatures, corrosive or toxic products etc.

Take note of chapters "*Mounting*" and "*Connecting to power supply*" and carry out the listed steps in reverse order.



With Ex instruments, the housing cover may only be opened if there is no explosive atmosphere present.

8.2 Disposal

The instrument consists of materials which can be recycled by specialised recycling companies. We use recyclable materials and have designed the electronics to be easily separable.

WEEE directive 2002/96/EG

This instrument is not subject to the WEEE directive 2002/96/EG and the respective national laws. Pass the instrument directly on to a specialised recycling company and do not use the municipal collecting points. These may be used only for privately used products according to the WEEE directive.

Correct disposal avoids negative effects to persons and environment and ensures recycling of useful raw materials.

Materials: see chapter "*Technical data*"

If you have no way to dispose of the old instrument properly, please contact us concerning return and disposal.

9 Supplement

9.1 Technical data

General data

Material 316L corresponds to 1.4404 or 1.4435

Materials, wetted parts

– Process fitting - thread	316L
– Process fitting - flange	316L
– Process seal	Klingersil C-4400
– Tuning fork	316L
– Extension tube ø 43 mm (1.7 in)	316L

Materials, non-wetted parts

– Plastic housing	plastic PBT (Polyester)
– Aluminium die-casting housing	Aluminium die-casting AlSi10Mg, powder-coated - basis: Polyester
– Stainless steel housing, electropolished	316L
– Seal between housing and housing cover	NBR (stainless steel housing), silicone (Alu/plastic housing)
– Light guide in housing cover (plastic)	PMMA (Makrolon)
– Ground terminal	316L

Process fittings

– Pipe thread, cylindrical (DIN 3852-A)	G1½ A
– American pipe thread, conical (ASME B1.20.1)	1½ NPT

Weight approx.

– Instrument weight (depending on process fitting)	0.8 ... 4 kg (0.18 ... 8.82 lbs)
– Extension tube	2000 g/m (21.5 oz/ft)

Sensor length (L) 0.3 ... 6 m (0.984 ... 19.69 ft)

Max. lateral load 290 Nm, max. 600 N (214 lbf ft, max. 135 lbf)

Output variable

Output	Two-wire NAMUR output
Current consumption	
– Falling characteristics (max.)	≥ 2.4 mA uncovered/≤ 1 mA covered
– Rising characteristics (min.)	≤ 1 mA uncovered/≥ 2.4 mA covered
– Failure message	≤ 1 mA
Necessary processing system	NAMUR processing system according to IEC 60947-5-6 (EN 50227/DIN 19234)
Modes (NAMUR output adjustable to falling or rising characteristics)	

- Min. rising characteristic curve (High current when immersed)
- Max. falling characteristics (Low current when immersed)

Ambient conditions

Ambient temperature on the housing	-40 ... +80 °C (-40 ... +176 °F)
Storage and transport temperature	-40 ... +80 °C (-40 ... +176 °F)

Process conditions

Measured variable	Limit level of solids
Process pressure	-1 ... 25 bar/-100 ... 2500 kPa (-14.5 ... 363 psig)
LBV 330 of 316L	-50 ... +150 °C (-58 ... +302 °F)
Process temperature (thread or flange temperature) with temperature adapter (option)	-50 ... +250 °C (-58 ... +482 °F)

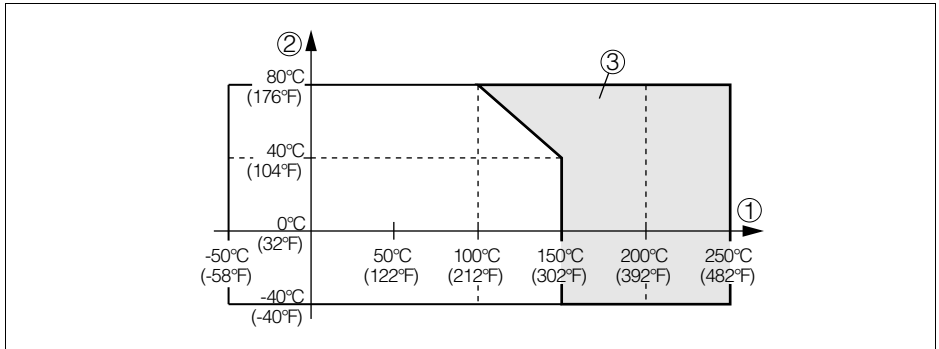


Fig. 27: Ambient temperature - Process temperature

- 1 Process temperature
- 2 Ambient temperature
- 3 Temperature range with temperature adapter

Product density

- Standard > 0.02 g/cm³ (0.0007 lbs/in³)
- adjustable > 0.008 g/cm³ (0.0003 lbs/in³)

Granular size

max. 10 mm (0.4 in)

Electromechanical data - version IP 66/IP 67 and IP 66/IP 68; 0.2 bar

Cable entry/plug¹⁾

- Single chamber housing
 - 1 x cable gland M20 x 1.5 (cable: ø 5 ... 9 mm),
1 x blind stopper M20 x 1.5
- or:

¹⁾ Depending on the version M12 x 1, according to ISO 4400, Harting, 7/8" FF.

- 1 x closing cap ½ NPT, 1 x blind plug ½ NPT
or:
- 1 x plug (depending on the version), 1 x blind stopper M20 x 1.5

Spring-loaded terminals

for wire cross-section up to 1.5 mm² (AWG 16)

Adjustment elements

Mode switch

- Min. rising characteristic curve (High current when immersed)
- Max. falling characteristics (Low current when immersed)

Potentiometer for switching point adaptation

0.02 ... 0.1 g/cm³ (0.0007 ... 0.036 lbs/in³)

Simulation key

simulation of a line break between sensor and processing unit

Voltage supply

Operating voltage (characteristics according to standard)

for connection to an amplifier according to NAMUR IEC 60947-5-6, approx. 8.2 V

Off-load voltage

U₀ approx. 8.2 V

Shortcircuit current

I_U approx. 8.2 mA

Electrical protective measures

Protection rating

- Plastic housing IP 66/IP 67
- Aluminium housing IP 66/IP 68 (0.2 bar²⁾)

Overvoltage category

III

Protection class

II

Approvals

Depending on the version, instruments with approvals can have different technical data. For these instruments, please note the corresponding approval documents. They are included in the scope of delivery.

²⁾ A suitable cable is the prerequisite for maintaining the protection rating.

9.2 Dimensions

LBV 330

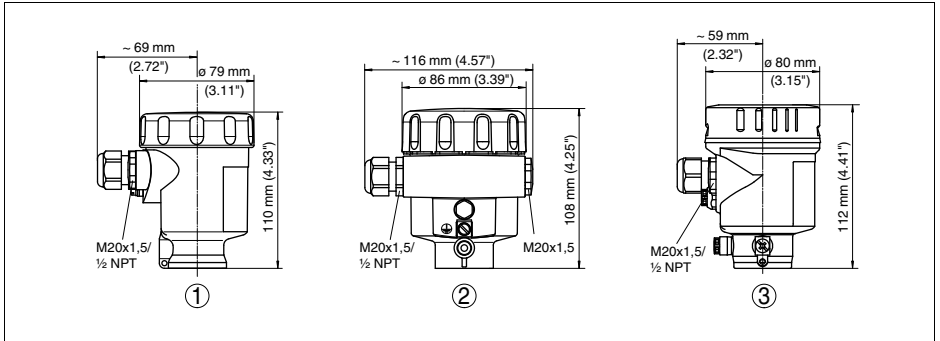


Fig. 28: Housing versions

- 1 Plastic housing
- 2 Aluminium housing
- 3 Stainless steel housing, electropolished

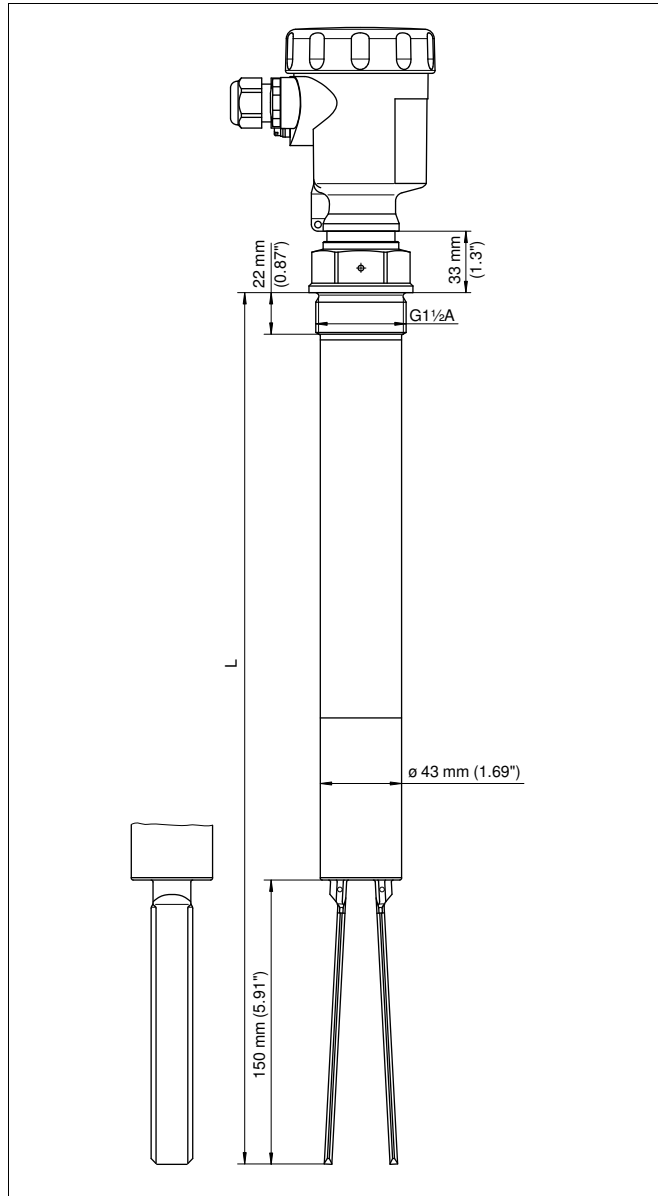


Fig. 29: LBV 330 - threaded version G1 1/2 A (DIN ISO 228/1)

L Sensor length, see chapter "Technical data"

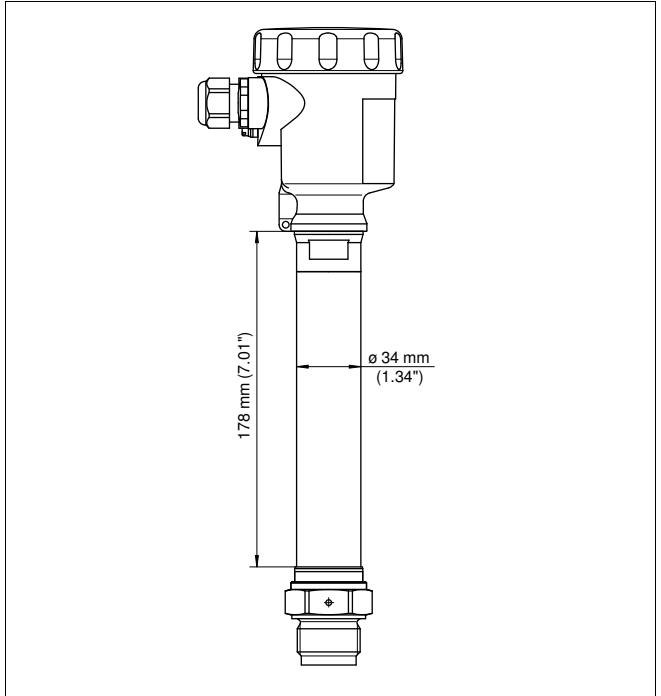


Fig. 30: Temperature adapter

Australia
Phone +61 3 9497 4100
1800 33 48 02 – tollfree
E-Mail sales@sick.com.au

Belgium/Luxembourg
Phone +32 (0)2 466 55 66
E-Mail info@sick.be

Brazil
Phone +55 11 3215-4900
E-Mail sac@sick.com.br

Česká Republika
Phone +420 2 57 91 18 50
E-Mail sick@sick.cz

China
Phone +852-2763 6966
E-Mail ghk@sick.com.hk

Danmark
Phone +45 45 82 64 00
E-Mail sick@sick.dk

Deutschland
Phone +49 211 5301-301
E-Mail info@sick.de

España
Phone +34 93 480 31 00
E-Mail info@sick.es

France
Phone +33 1 64 62 35 00
E-Mail info@sick.fr

Great Britain
Phone +44 (0)1727 831121
E-Mail info@sick.co.uk

India
Phone +91-22-4033 8333
E-Mail info@sick-india.com

Israel
Phone +972-4-999-0590
E-Mail info@sick-sensors.com

Italia
Phone +39 02 27 43 41
E-Mail info@sick.it

Japan
Phone +81 (0)3 3358 1341
E-Mail support@sick.jp

Nederlands
Phone +31 (0)30 229 25 44
E-Mail info@sick.nl

Norge
Phone +47 67 81 50 00
E-Mail austefjord@sick.no

Österreich
Phone +43 (0)22 36 62 28 8-0
E-Mail office@sick.at

Polska
Phone +48 22 837 40 50
E-Mail info@sick.pl

Republic of Korea
Phone +82-2 786 6321/4
E-Mail kang@sickkorea.net

Republika Slovenija
Phone +386 (0)1-47 69 990
E-Mail office@sick.si

România
Phone +40 356 171 120
E-Mail office@sick.ro

Russia
Phone +7 495 775 05 34
E-Mail info@sick-automation.ru

Schweiz
Phone +41 41 619 29 39
E-Mail contact@sick.ch

Singapore
Phone +65 6744 3732
E-Mail admin@sicksgp.com.sg

Suomi
Phone +358-9-25 15 800
E-Mail sick@sick.fi

Sverige
Phone +46 10 110 10 00
E-Mail info@sick.se

Taiwan
Phone +886 2 2365-6292
E-Mail sickgrc@ms6.hinet.net

Türkiye
Phone +90 216 587 74 00
E-Mail info@sick.com.tr

USA/Canada/México
Phone +1(952) 941-6780
1800-325-7425 – tollfree
E-Mail info@sickusa.com

More representatives and agencies in all major industrial nations at www.sick.com

SICK
Sensor Intelligence.