

# OLM100-1005S01

Linear measurement sensor

Mounting, operating, maintenance

**SICK**  
Sensor Intelligence.



## Contents

|          |   |           |
|----------|---|-----------|
| <b>1</b> | <b>About this document.....</b>                               | <b>5</b>  |
| 1.1      | Information regarding the operating instructions.....         | 5         |
| 1.2      | Explanation of symbols.....                                   | 5         |
| 1.3      | Scope of delivery.....  | 6         |
| 1.4      | Customer service.....   | 6         |
| <b>2</b> | <b>Safety information.....</b>                                | <b>7</b>  |
| 2.1      | Correct use.....  | 7         |
| 2.2      | Incorrect use.....  | 7         |
| 2.3      | IP technology.....  | 7         |
| 2.4      | Limitation of liability.....                                  | 7         |
| 2.5      | Modifications and conversions.....                            | 8         |
| 2.6      | Requirements for skilled persons and operating personnel..... | 8         |
| 2.7      | Operational safety and particular hazards.....                | 8         |
| 2.8      | Hazard warnings and operational safety.....                   | 8         |
| 2.9      | Environmental protection.....                                 | 9         |
| <b>3</b> | <b>Function and use.....</b>                                  | <b>10</b> |
| 3.1      | Function.....   | 10        |
| 3.2      | Type label.....   | 11        |
| 3.3      | Bar code tape.....  | 11        |
| 3.4      | Control marks and configuration marks.....                    | 11        |
| 3.4.1    | Control marks.....  | 11        |
| 3.4.2    | Configuration marks.....                                      | 12        |
| <b>4</b> | <b>Transport and storage.....</b>                             | <b>13</b> |
| 4.1      | Transport.....  | 13        |
| 4.2      | Transport inspection.....                                     | 13        |
| 4.3      | Storage.....  | 13        |
| <b>5</b> | <b>Mounting.....</b>  | <b>14</b> |
| 5.1      | Mounting procedure.....                                       | 14        |
| 5.2      | Mounting instructions.....                                    | 14        |
| 5.3      | General data on the bar code tape.....                        | 14        |
| 5.4      | Mount the bar code tape.....                                  | 16        |
| 5.4.1    | Mounting of the bar code tape at horizontal curves.....       | 16        |
| 5.4.2    | Mounting of the bar code tape at vertical curves.....         | 17        |
| 5.5      | Mounting the sensor.....                                      | 18        |
| <b>6</b> | <b>Electrical installation.....</b>                           | <b>22</b> |
| 6.1      | Safety.....   | 22        |
| 6.2      | Wiring notes.....   | 22        |
| 6.3      | Connect sensor electrically.....                              | 24        |
| 6.4      | Connection diagrams.....                                      | 25        |
| 6.4.1    | Connection diagram RS-485.....                                | 25        |

|           |  |           |
|-----------|--|-----------|
| 6.4.2     | Ethernet connection diagram.....                                       | 25        |
| <b>7</b>  | <b>Commissioning.....</b>  | <b>27</b> |
| 7.1       | Configure the sensor.....  | 27        |
| 7.2       | Configuration and servicing with SOPAS Engineering Tool (SOPAS ET).... | 27        |
| 7.2.1     | Parameters for output of measured values.....                          | 27        |
| 7.2.2     | Diagnostics.....   | 29        |
| 7.2.3     | Changing the bar code tape alignment.....                              | 29        |
| 7.3       | RS-485 interface (binary protocol type 2).....                         | 29        |
| 7.3.1     | Commands.....  | 29        |
| 7.3.2     | Example for command to request the position value.....                 | 31        |
| 7.3.3     | Example for command to request the control mark information<br>.....   | 32        |
| 7.3.4     | Example for command to request the diagnostic data.....                | 33        |
| <b>8</b>  | <b>Maintenance.....</b>  | <b>35</b> |
| 8.1       | Cleaning.....  | 35        |
| 8.2       | Maintenance.....   | 35        |
| <b>9</b>  | <b>Troubleshooting.....</b>  | <b>36</b> |
| 9.1       | Warning and error messages.....  | 36        |
| 9.2       | Returns.....   | 37        |
| 9.3       | Repairs.....   | 37        |
| 9.3.1     | Repairing damage to bar code tape.....                                 | 37        |
| 9.4       | Disposal.....  | 38        |
| <b>10</b> | <b>Technical data.....</b>   | <b>39</b> |
| 10.1      | Type-specific data.....  | 39        |
| 10.2      | Performance.....   | 39        |
| 10.3      | Mechanics/electronics.....   | 39        |
| 10.4      | Ambient data.....  | 40        |
| 10.5      | Dimensional drawing.....   | 41        |
| 10.6      | Bar code tape.....   | 41        |
| <b>11</b> | <b>Accessories.....</b>  | <b>43</b> |
| 11.1      | Bar code tape.....   | 43        |
| 11.2      | Order notes and variants of the bar code tape.....                     | 44        |
| 11.3      | Blank labels for repair codes or control marks.....                    | 45        |
| 11.4      | Sliding nuts.....  | 46        |
| <b>12</b> | <b>Appendix.....</b>   | <b>47</b> |
| 12.1      | EC declaration of conformity.....                                      | 47        |

---

**Described product**

OLM100

**Manufacturer**

SICK AG  
Erwin-Sick-Str. 1  
79183 Waldkirch,  
Germany

**Copyright**

This work is protected by copyright. Any rights derived from the copyright shall be reserved for SICK AG. Reproduction of this document or parts of this document is only permissible within the limits of the legal determination of Copyright Law. Any modification, expurgation or translation of this document is prohibited without the express written permission of SICK AG.

© SICK AG. All rights reserved.

**Original document**

This document is an original document of SICK AG.



# 1 About this document

## 1.1 Information regarding the operating instructions

As part of the OLM100 product family, SICK AG offers the following two performance classes:

- OLM100 Standard, identifiable by the type code OLM100-10xx
- OLM100 Hi, identifiable by the type code OLM100-12xx

These operating instructions provide important information on how to handle linear measurement sensors from SICK AG. Adherence to all the specified safety instructions and guidelines is a prerequisite for working safely. You must also comply with any local work safety regulations and general safety specifications applicable to the use of the linear measurement sensors.

Ensure that you read through these operating instructions carefully before starting any work. They constitute an integral part of the product and should be stored in the direct vicinity of the sensor so they remain accessible to personnel at all times. Should the linear measurement sensor be passed on to a third party, these operating instructions should be handed over with it.

These operating instructions do not provide information on operating the machine in which the linear measurement sensor is integrated. For information about this, refer to the operating instructions of the respective machine.



### NOTE

These operating instructions describe the OLM100-1005S01 linear measurement sensor. The OLM100-1005S01 is a specially pre-configured variant of the OLM100-1005.

---

## 1.2 Explanation of symbols

Warnings in these operating instructions are indicated by symbols. The warnings are introduced by signal words that indicate the extent of the danger. These warnings must be observed at all times and care must be taken to avoid accidents, personal injury, and material damage.



### DANGER

... indicates a situation of imminent danger, which will lead to a fatality or serious injuries if not prevented.

---



### WARNING

... indicates a potentially dangerous situation, which may lead to a fatality or serious injuries if not prevented.

---



### CAUTION

... indicates a potentially dangerous situation, which may lead to minor/slight injuries if not prevented.

---



### ATTENTION

... indicates a potentially harmful situation, which may lead to material damage if not prevented.

---

**NOTE**

... highlights useful tips and recommendations as well as information for efficient and trouble-free operation.

---

### 1.3 Scope of delivery

The scope of delivery includes the following:

- Linear measurement sensor
- Optional: Accessories [see "Accessories", Page 43](#)

Supplied documentation:

- Quickstart guide
- 

**NOTE**

All available documentation can be found online at

► <http://www.mysick.com/en/olm100>

There, you can also find:

- Available configuration marks and position marks for download as a PDF file
  - Information about software updates
  - SOPAS Engineering Tool for configuration
  - A list of FAQs for the linear measurement sensor
  - Example applications
- 

### 1.4 Customer service

Do not hesitate to contact our customer service should you require any technical information. Please refer to the back page of these operating instructions for your agent's contact details.

---

**NOTE**

Before calling, make a note of all type label data such as type code, serial number, etc. to ensure faster processing.

---

## 2 Safety information

### 2.1 Correct use

The linear measurement sensor is an opto-electronic sensor and is used for positioning of a displacement unit by means of a bar code tape.

Areas of application:

- Automated high-bay warehouses
- Positioning of overhead conveyors, curve-going stackers, turning rings/tables, shuttles
- Applications in which movable devices need to be positioned in relation to a reference

SICK AG assumes no liability for losses or damage arising from the use of the product, either directly or indirectly. This applies in particular to use of the product that does not conform to its intended purpose and is not described in this documentation.

### 2.2 Incorrect use

The linear measurement sensor does not constitute a safety component according to the EC Machinery Directive (2006/42/EC). The linear measurement sensor must not be used in explosion hazard areas. Any other use that is not described as correct use is prohibited. The use of accessories not specifically approved by SICK is at own risk.



#### WARNING

**Danger due to incorrect use.**

Any incorrect use can result in dangerous situations.

Therefore, take note of the following information:

- Linear measurement sensors should be used only in accordance with intended use specifications.
- All information in these operating instructions must be strictly complied with.

### 2.3 IP technology



#### NOTE

SICK uses standard IP technology in its products. The emphasis is placed on availability of products and services. SICK always assumes that the integrity and confidentiality of the data and rights affected by the use of the aforementioned products will be ensured by the customer. In all cases, appropriate security measures, such as network separation, firewalls, virus protection, and patch management, must be taken by the customer on the basis of the situation in question.

### 2.4 Limitation of liability

Applicable standards and regulations, the latest state of technological development and many years of knowledge and experience have all been taken into account when assembling the data and information contained in these operating instructions. The manufacturer accepts no liability for damage caused by:

- Failing to observe the operating instructions
- Incorrect use
- Use by untrained personnel
- Unauthorized conversions

- Technical modifications
- Use of unauthorized spare parts, consumables and accessories

With special variants, where optional extras have been ordered, or owing to the latest technical changes, the actual scope of delivery may vary from the features and illustrations shown here.

### 2.5 Modifications and conversions

Modifications and conversions to the sensor and/or the installation may result in unforeseeable dangers. Before any technical modifications to and expansions of the sensor, the prior written approval of the manufacturer must be obtained.

### 2.6 Requirements for skilled persons and operating personnel



#### **WARNING**

##### **Risk of injury due to insufficient training.**

Improper handling may result in considerable personal injury and material damage.

- All work must only ever be carried out by the stipulated persons.
- 

These operating instructions list the training requirements for the various fields of activity, as follows:

- **Instructed personnel** have been given a briefing by the operator about the tasks assigned to them and about potential dangers arising from improper action.
- **Skilled personnel** have the specialist training, skills, and experience, as well as knowledge of the relevant regulations, to be able to perform tasks delegated to them and to detect any potential dangers independently.
- **Electricians** have the specialist training, skills, and experience, as well as knowledge of the relevant standards and provisions to be able to carry out work on electrical systems and to detect any potential dangers independently. In Germany, electricians must meet the specifications of the BGV A3 Work Safety Regulations (e. g. Master Electrician). Other relevant regulations applicable in other countries must be observed.

### 2.7 Operational safety and particular hazards

Please observe the safety notes and the warnings listed here and in other chapters of these operating instructions to reduce the possibility of risks to health and avoid dangerous situations.

### 2.8 Hazard warnings and operational safety



#### **CAUTION**

##### **Risk of injury from LED radiation.**

Looking directly into the LED illumination may result in eye injury.

- Do not look directly into the LED illumination.
  - Comply with the latest version of the applicable protection provisions.
-



## 2.9 Environmental protection

---

**ATTENTION**

**Danger to the environment due to improper disposal of the sensor.**

Disposing of sensors improperly may cause damage to the environment.

Therefore, take note of the following information:

- ▶ Always observe the valid regulations on environmental protection.
  - ▶ Following correct disassembly, pass on any disassembled components for reuse.
  - ▶ Separate the recyclable materials by type and place them in recycling containers.
-

### 3 Function and use

#### 3.1 Function

The linear measurement sensor is a sensor that can measure product travel paths up to 10 km without moving parts. The sensor orientates itself using a bar code tape attached along the product travel path, using a visible, red LED beam. By reading the bar code, the linear measurement sensor determines the absolute position and delivers this via an interface.

Linear measurement sensor OLM100-1005S01 is a variant of the OLM100 that communicates via RS-485 with a special protocol. The default communication settings are as follows:

- Device address: "0"
- Resolution: 1 mm
- Data transmission rate: 62k5
- Data format: 9n1

The protocol of the OLM100-1005S01 is compatible with the protocol of previously familiar type 2 binary protocol RS-485 sensors of other manufacturers.

#### Determining bar code tape alignment

On startup, the linear measurement sensor initially detects the alignment in relation to the bar code tape ( $0^\circ$  or  $180^\circ$ ). The sensor automatically adapts itself to the alignment that is detected, and starts outputting position values. If there are no bar codes in the field of view when the sensor is started up, the sensor selects the orientation which it detected before being deactivated. The sensor starts position value output as soon as bar codes with the expected orientation are located in the field of view. Error F4 and the measured value "0" are output if an unexpected alignment is detected, and this also applies if the alignment is changed during the product travel path. In such a case, position values are not output until after the supply voltage has been interrupted and the new alignment has been detected successfully.



#### NOTE

In the delivery condition, the tape position is assumed to be  $0^\circ$ , i. e. the alignment of the sensor and the bar code tape to each other is such that the lower edge of the sensor (black part of the housing) and the lower edge of the bar code tape are directly opposite each other.

During running operation, the alignment of the bar code tape can also be altered using SOPAS ET see "[Configuration and servicing with SOPAS Engineering Tool \(SOPAS ET\)](#)", [Page 27](#) or by configuration marks see "[Configuration marks](#)", [Page 12](#).



#### NOTE

If the bar code tape is mounted in the entire system with an alignment of  $180^\circ$  in relation to the sensor, then it is necessary to make sure that the bar code tape is located in the field of view when the sensor is started for the first time.

---

If the linear measurement sensor detects an error condition during the traversing (e. g. no bar code tape, or bar code tape defective), this is immediately suppressed and extrapolated measured values are output. The extrapolation time depends on the measured value history and in the delivery condition is max. 160 ms.

The measured value "0" is output if the error status is present for longer or exists from the moment of switching on. Individual faulty bar codes do not have any effect on the measured value.

Error statuses can be interrogated via the data interface. Alternatively, the SOPAS ET software is also available for this in conjunction with the Ethernet configuration interface.

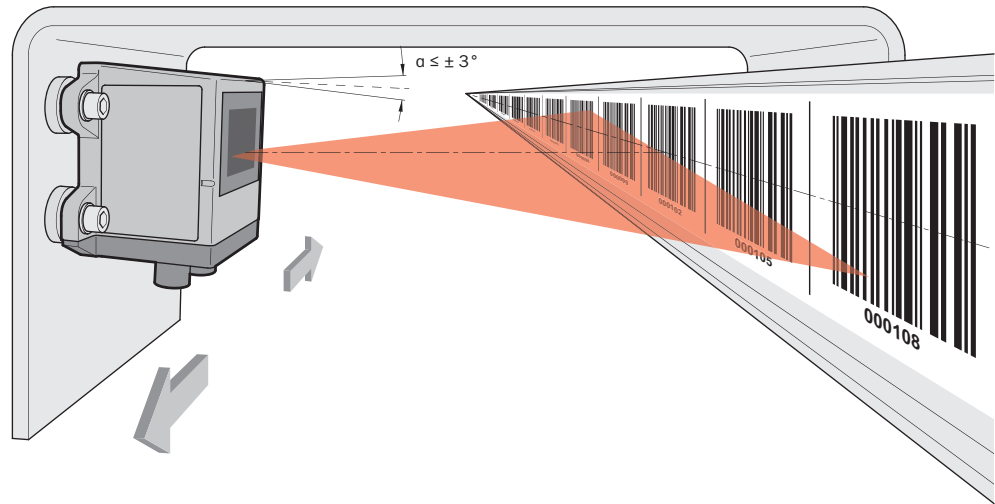


Figure 1: Functionality schematic diagram OLM100

## 3.2 Type label

There is a type label on the sensor which provides all relevant information.

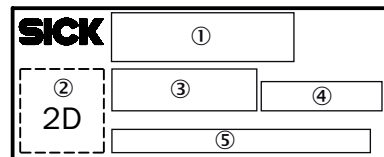


Figure 2: Type label

- ① Type designation
- ② 2D code with part number and type description
- ③ Part number
- ④ Date code and serial number
- ⑤ MAC address

## 3.3 Bar code tape

For the OLM-xx0x variants, suitable bar code tapes with a bar code width of 30 mm and a tape height of 25 mm, 30 mm, 40 mm, 60 mm, and 100 mm are available as accessories see "Bar code tape", Page 43.

## 3.4 Control marks and configuration marks



### NOTE

The marks are available for download and can then be printed out:

► <http://www.mysick.com/en/olm100>

The print resolution must be at least 1200 dpi (pixels per inch). Page or size adjustment must be deactivated.

### 3.4.1 Control marks

The purpose of control marks is to trigger a certain action in the sensor:

- Output of the control mark value at the data interface

Control marks can be stuck onto the bar code tape at selected points (e.g. switches). When doing this, make sure that the cut markings of the fiducial are congruent with the cut markings of the position mark that has been stuck over.



**NOTE**

In order to obtain a continuous distance value, it is necessary to ensure that there is a position mark directly before and after a control mark. A maximum of one control mark is permitted in the field of view of the sensor. Therefore, at least two position marks must lie between two control marks.

**Output of the value via the data interface**

The information on a control mark consists of a letter (A, B, C, D or Z) followed by two digits (0 - 9). All other control codes are output via the data interface as ASCII hex values. The control code must be interpreted byte-by-byte as ASCII characters. In this case, the most recently read control code is always output every cycle.

#### 3.4.2 Configuration marks



**NOTE**

The marks are available for download and can then be printed out:

▶ <http://www.mysick.com/en/olm100>

The print resolution must be at least 1200 dpi (pixels per inch). Page or size adjustment must be deactivated.

Configuration marks are special bar codes with which parameters in the sensors can be adjusted. After reading the configuration marks, the change is stored permanently in the sensor.

To change a parameter, the appropriate configuration mark is placed in the field of view of the sensor. The sensor confirms reading a configuration mark with both LEDs on the upper part of the side of the housing (POWER and STATUS). The responses have the following meanings:

| Signal                 | Meaning  |
|------------------------|--|
| Both LEDs flash green  | Parameter has been changed.                      |
| Both LEDs flash orange | Parameter was already set and remains unchanged. |
| Both LEDs flash red    | Parameter is not supported.                      |

The following settings can be changed using configuration marks:

- Action in case of read error
- SmartPOS operating mode
- Activation of SmartPOS warning F2
- Multiple reading
- Bus address (only variants OLM100-1005, OLM100-1xx6)
- Resolution
- Resetting all settings to the factory setting

## 4 Transport and storage

### 4.1 Transport

For your own safety, please read and observe the following notes:

**NOTE****Damage to the sensor due to improper transport.**

- Transport should be performed by trained specialist staff only.
- The utmost care and attention is required at all times during unloading and transportation on company premises.
- Note the symbols on the packaging.
- Do not remove packaging until immediately before you start mounting.

### 4.2 Transport inspection

Upon receipt, please check the delivery for completeness and for any damage that may have occurred in transit. In the case of transit damage that is visible externally, proceed as follows:

- Do not accept the delivery or only do so conditionally.
- Note the scope of damage on the transport documents or on the transport company's delivery note.
- File a complaint.

**NOTE**

Complaints regarding defects should be filed as soon as these are detected. Damage claims are only valid before the applicable complaint deadlines.

### 4.3 Storage

Store the sensor under the following conditions:

- Do not store outdoors.
- Store in a dry area that is protected from dust.
- Do not expose to any aggressive substances.
- Protect from sunlight.
- Avoid mechanical shocks.
- Storage temperature: between  $-40$  and  $+75$  °C
- Relative humidity: max. 95%, non-condensing
- For storage periods of longer than 3 months, check the general condition of all components and packaging on a regular basis.

## 5 Mounting

### 5.1 Mounting procedure

1. Mount the bar code tape see "Mount the bar code tape", Page 16.
2. Mount the sensor see "Mounting the sensor", Page 18.
3. Make the electrical connection see "Electrical installation", Page 22.

### 5.2 Mounting instructions

To ensure trouble-free operation, the following mounting instructions should be observed:

- Comply with technical data such as the measuring range.
- Protect the sensor from direct sunlight.
- To prevent condensation, avoid exposing the data transmission system to rapid changes in temperature.
- Follow the mounting instructions for the bar code tape.

### 5.3 General data on the bar code tape

Bar code tapes have a nominal length of 20 m; they are supplied rolled-up with the smallest number on the outside. The particular measuring ranges are selected so that successive bar code tapes can be placed against one another without gaps. The sequential roll number is located on the bar code tapes to make it easier to maintain the correct sequence.

Irrespective of the starting code required, bar code tapes with a customer specific measuring range always begin with the sequential roll number "1".

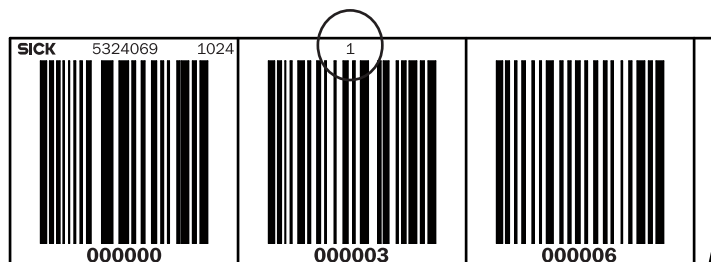


Figure 3: Example for roll 1, measuring range 0 to 20 m

| Measuring range [m] |     | Sequential roll number | Code   |        |
|---------------------|-----|------------------------|--------|--------|
| from                | to  |                        | Start  | End    |
| 0                   | 20  | 1                      | 000000 | 002001 |
| 20                  | 40  | 2                      | 002004 | 004002 |
| 40                  | 60  | 3                      | 004005 | 006000 |
| 60                  | 80  | 4                      | 006003 | 008001 |
| 80                  | 100 | 5                      | 008004 | 010002 |
| 100                 | 120 | 6                      | 010005 | 012000 |

The orientation of the bar code tape in relation to the sensor must remain the same throughout the entire product travel path (alignment always 0° or always 180° in relation to the sensor).

For the best adhesion, the temperature of the surface and the bar code tape must be between 15 and 25 °C at the time of fitting.

Align the bar code tape with a reference edge (e. g. rail) of the product travel path and stick this onto the smooth, dry surface that is free from grease and dust, without any tension, folds or creases. The surface must be free of grease, dust and other soiling.

Small expansion joints and minor points of unevenness can be stuck over. At disruptive points which would cause the bar code tape to be significantly distorted were it to be stuck over, it is possible to cut out an individual bar code at the corresponding cut marks.

To ensure optimum linearity, the distance between the two cut marks at the resulting gap must be 30 mm. At least two contiguous bar codes must follow after a gap. Continuous output of position values by the sensor is ensured if the width of the gap is not more than 30 mm and the bar codes were separated cleanly at the cut mark.

It is recommended that the self-adhesive, cut-to-length blank labels should be stuck over the gap in order to allow it to be traversed without problems see ["Blank labels for repair codes or control marks"](#), Page 45.

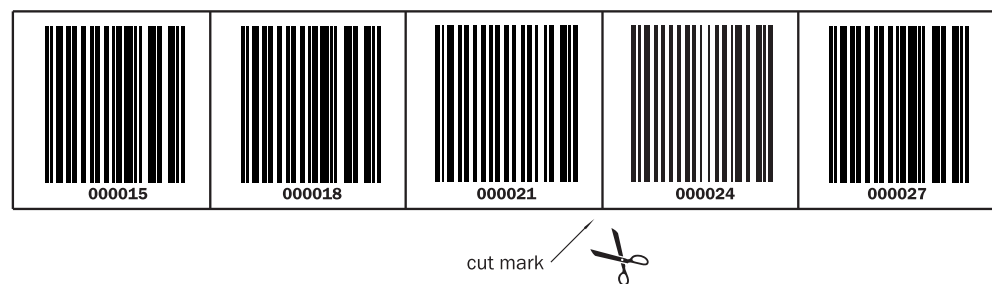


Figure 4: Bar code tape cut marks

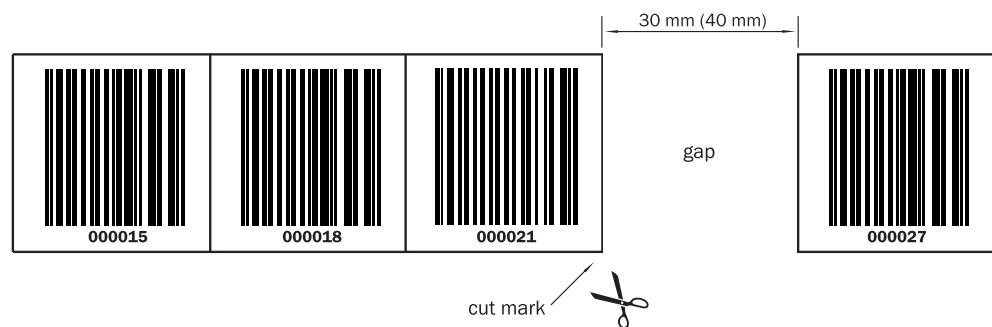


Figure 5: Gap in the separated bar code tape

A sequence of bar code tapes with discontinuous measuring ranges is not allowed, otherwise a continuous position cannot be indicated. Where there is non-continuity (e. g. at diverters), the linear measurement sensor outputs a corresponding jump in the position value as soon as at least two sequential bar codes of the new measuring range have been identified.

The linear measurement sensor cannot output negative position values. Therefore, in applications in which it is necessary to go below the "0 cm" position (e. g. turntables, diverters), it is recommended to dispense with the measuring range - 20 m, or else to remove the first two position codes "0 cm" and "3 cm".



#### NOTE

Affix the bar code tape as near as possible to the vertical in order to avoid dust build-ups.

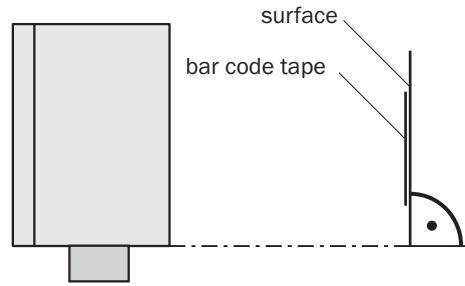


Figure 6: Vertical mounting of the bar code tape

**i** **NOTE**  
 Avoid strong extraneous light reflections striking the bar code tape.

## 5.4 Mount the bar code tape

**i** **NOTE**  
 Illustrations and dimension values apply to the 30 mm bar code width.

### 5.4.1 Mounting of the bar code tape at horizontal curves

A minimum radius must be complied with for horizontal curves. This depends on the mounting position of the sensor. As a rule, the linear measurement sensor should be mounted on the axis of rotation if possible. Tangential differences, referred to below as  $L$ , leading to the sensor swiveling in or out during the course of a curve mean that larger curve radii are required. This requirement applies both to outer and inner radii.

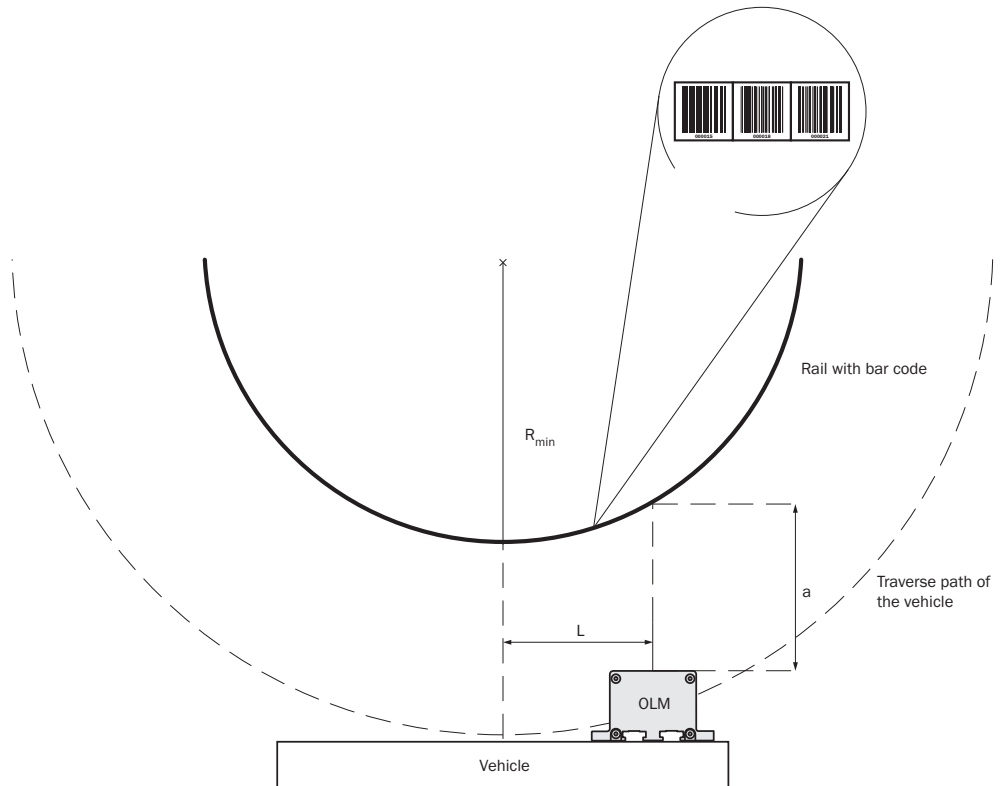


Figure 7: Tangential distance  $L$  for curve travel

$R_{min}$  Minimum radius  
 $L$  Tangential distance for curve travel



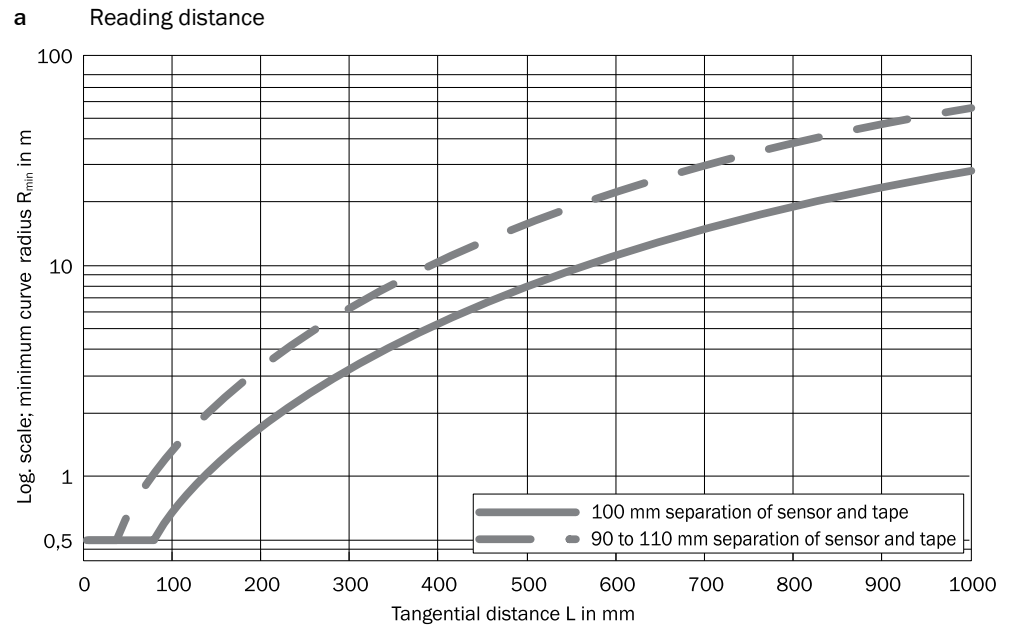


Figure 8: Minimum curve radius  $R_{min}$  dependent upon the tangential distance  $L$

#### 5.4.2 Mounting of the bar code tape at vertical curves

In order to attach the bar code tape along a vertical corner, cut into the bar code tape at the cut marks and fan it out. The maximum angle must not exceed  $3^\circ$ . This corresponds to a gap of 1.5 mm. This produces a smallest case minimum radius of 500 mm. The voids created by fanning open should not have a shiny surface, in order to ensure an optimum function reserve.

Cover the open positions indicated by arrows with blank labels [see "Blank labels for repair codes or control marks", Page 45.](#)

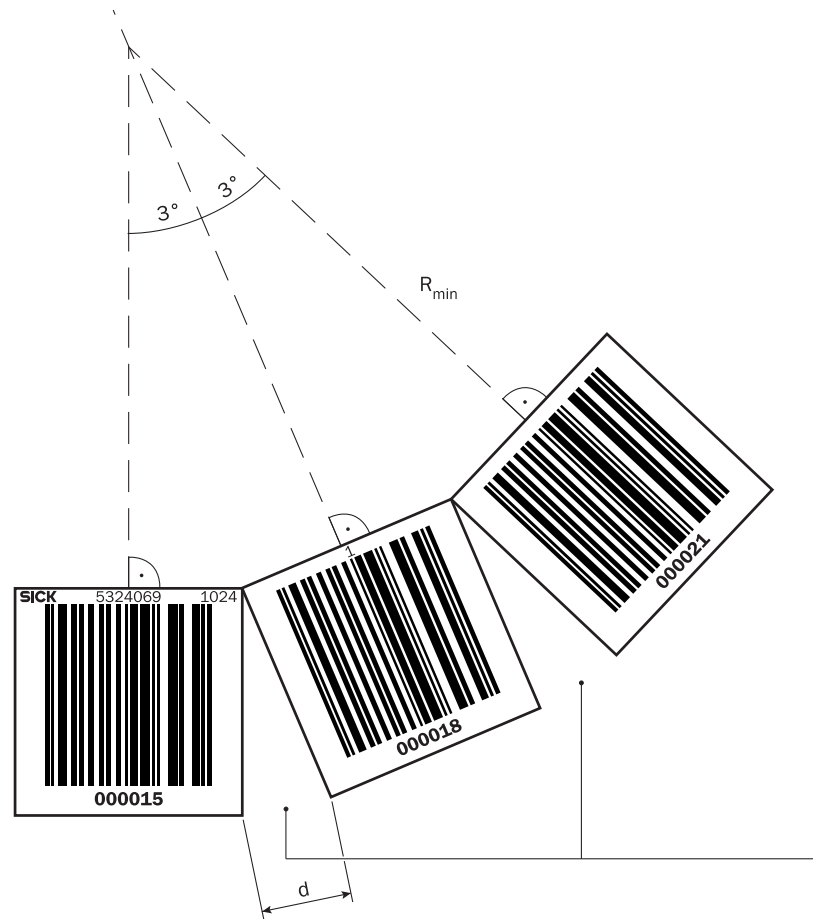


Figure 9: Vertical curves

**i** **NOTE**  
 For vertical curve paths, ensure that the bar code tape is always in the field of view of the linear measurement sensor. The mounting location of the linear measurement sensor should therefore be selected so that its product travel path runs parallel to the longitudinal axis of the bar code tape. If this is not done and the linear measurement sensor is mounted with a tangential distance from the axis of rotation, this will result in swiveling of the sensor and the bar code tape will move out of the field of view.

**i** **NOTE**  
 With a vertical curve path, only restricted accuracy and reproducibility are possible.

## 5.5 Mounting the sensor

The sensor can be mounted either using the four housing through-holes or the T-slots on the back using sliding nuts see "Sliding nuts", Page 46. To ensure optimum reading results and the greatest possible functional reserve, mount the sensor at a distance of 100 mm from the bar code tape and align it at right angles to the bar code tape. The sensor's depth of field is  $\pm 20$  mm.

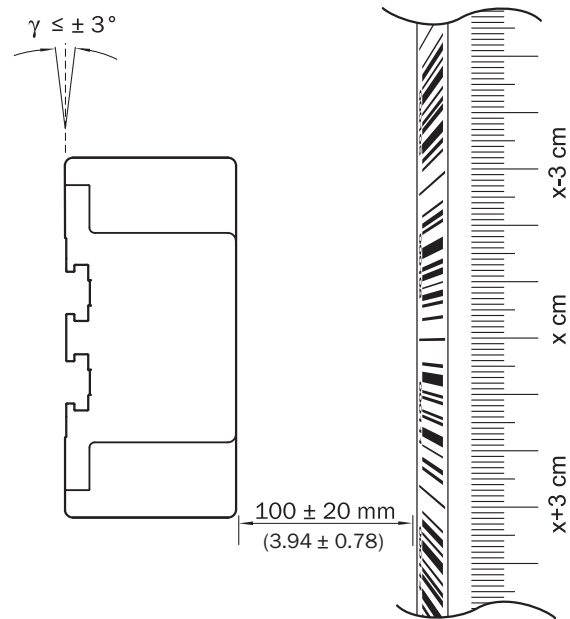


Figure 10: Mounting distances OLM100-xx0x

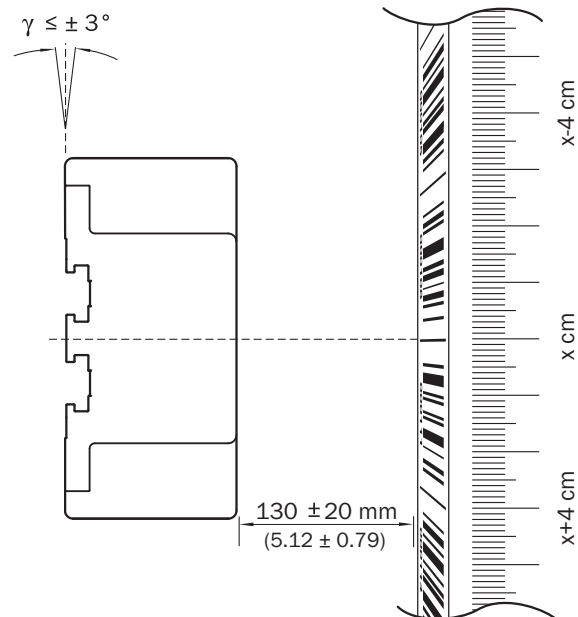
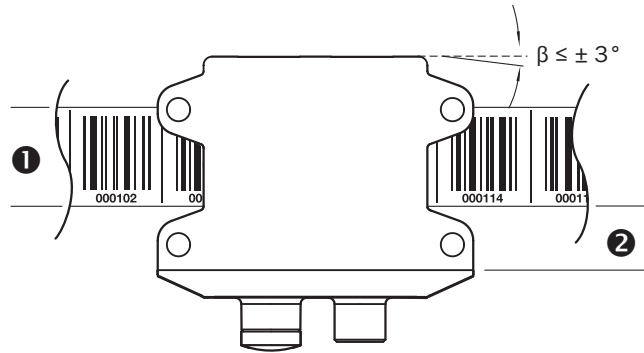


Figure 11: Mounting distances OLM100-xx5x

A vertical distance that depends on the bar code tape used is to be maintained between the lower edge of the housing and the lower edge of the bar code tape see ["Tab. 1: Vertical distance dependent upon the bar code tape"](#), Page 20.



| Bar code tape height ① | Distance ② | Tolerance |
|------------------------|------------|-----------|
| 25 mm                  | 13 mm      | ± 3.5 mm  |
| 30 mm                  | 9 mm       | ± 3.5 mm  |
| 40 mm                  | 4 mm       | ± 8.5 mm  |
| 60 mm                  | -6 mm      | ± 18.5 mm |
| 100 mm                 | -26 mm     | ± 38.5 mm |

Table 1: Vertical distance dependent upon the bar code tape



**NOTE**

In the case of curved paths pay particular attention to maintaining a distance of 100 mm ± 20 mm to the bar code tape.

A reading distance greater than 85 mm ± 20 mm must be maintained in order to ensure an optimum functional reserve in applications in which individual bar codes are not always fully readable.

If optimally aligned, the two alignment marks on the front of the sensor are located in the vertical center of the bar code tape so that the red light strip running from the top left to the bottom right is vertically centered on the bar code bar see Fig. 12.

This vertical alignment of the sensor on the bar code tape must lie within a tolerance throughout the product travel path see "Tab. 1: Vertical distance dependent upon the bar code tape", Page 20.

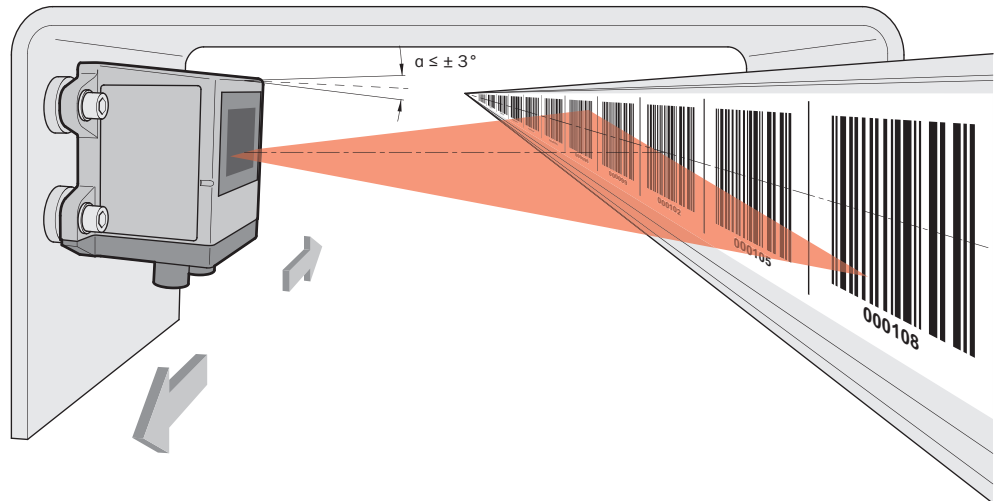


Figure 12: Vertical alignment

When two sensors are operated next to one another, it is necessary to maintain a minimum gap between the two sensors of 120 mm. At corners, make sure that the sensor is mounted as close as possible to the axis of rotation. For information on recommended minimum radii for curve travel see "[Mounting of the bar code tape at horizontal curves](#)", Page 16.



**NOTE**

The sensor must be mounted such that no objects are located in the field of view in front of the bar code tape.

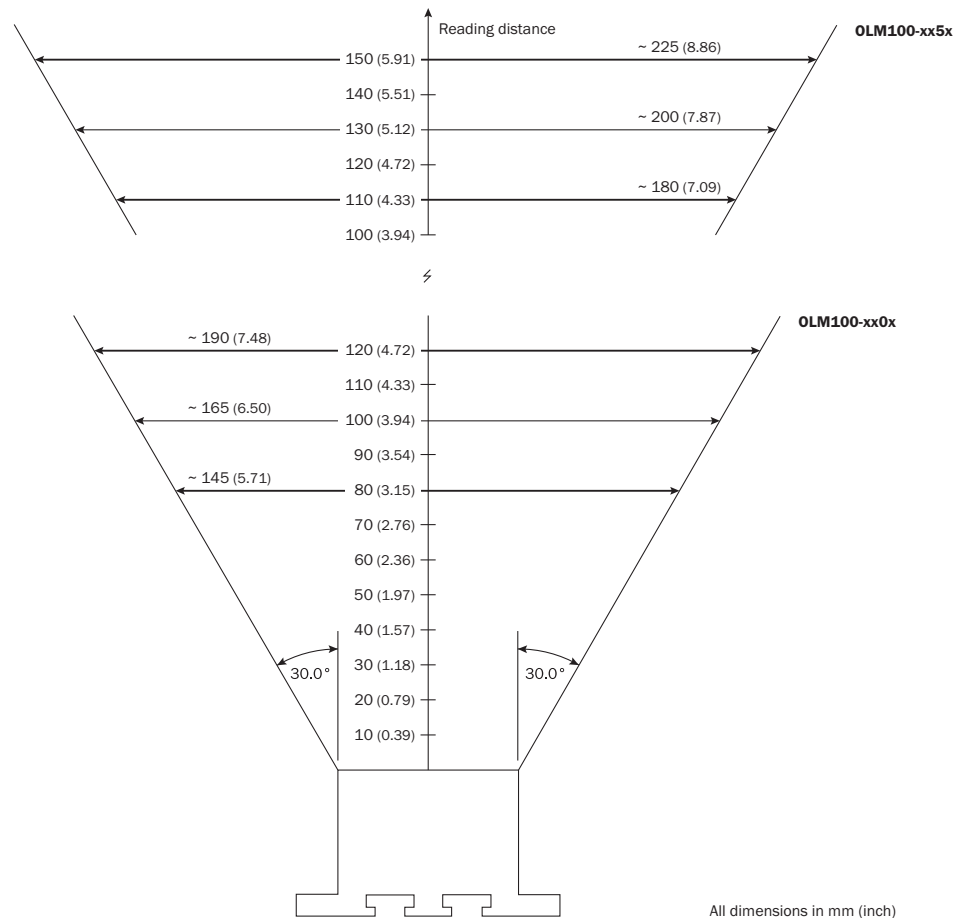


Figure 13: Field of view of the OLM100

### 6 Electrical installation

#### 6.1 Safety

**ATTENTION****Sensor damage due to incorrect supply voltage.**

An incorrect supply voltage may result in damage to the sensor.

- Only operate the sensor using a protected low voltage and safe electrical insulation as per Protection Class III.

**ATTENTION****Sensor damage or unpredictable operation due to working with live parts.**

Working with live parts may result in unpredictable operation.

- Only carry out wiring work when the power is off.
- Only connect and disconnect electrical connections when the power is off.

#### 6.2 Wiring notes

**ATTENTION****Faults due to incorrect wiring.**

Incorrect wiring may result in operational faults.

- For data transmission, use only screened cables with twisted-pair wires.
- Follow the wiring notes precisely.

**NOTE**

Preassembled cables can be found online at:

- ▶ <http://www.mysick.com/en/olm100>

All electrical connections of the sensor are configured as M12 round connectors. The IP65 protection class is only achieved with screwed plug connectors or cover caps.

Please observe the following wiring notes:

- A correct and complete cable shielding design is required for trouble-free data transmission.
- The cable shield must be connected at both ends in the control cabinet and at the sensor. The cable shield of the pre-assembled cable is connected to the knurled nut and thus extensively to the sensor housing also.
- The cable shield in the control cabinet must be connected extensively to the operational earth [see Fig. 17](#).
- Appropriate measures must be taken to prevent equipotential bonding currents flowing through the cable shield.
- During installation, pay attention to the different cable groups. The cables are grouped into the following 4 groups according to their sensitivity to interference or radiated emissions.
  - Group 1: Cables very sensitive to interference, such as analog measuring cables
  - Group 2: Cables sensitive to interference, such as sensor cables, communication signals, bus signals
  - Group 3: Cables which are a source of interference such as control cables for inductive loads, motor brakes

- Group 4: Cables which are powerful sources of interference, such as output cables from frequency inverters, welding system power supplies, power cables
- Cables in groups 1, 2 and 3, 4 must be crossed at right angles [see Fig. 14](#)
- Cables in groups 1, 2 and 3, 4 must be routed in different cable channels or metallic separators must be used [see Fig. 15](#) and [see Fig. 16](#). This applies particularly if cables of devices with a high level of radiated emission, such as frequency converters, are laid parallel to sensor cables.

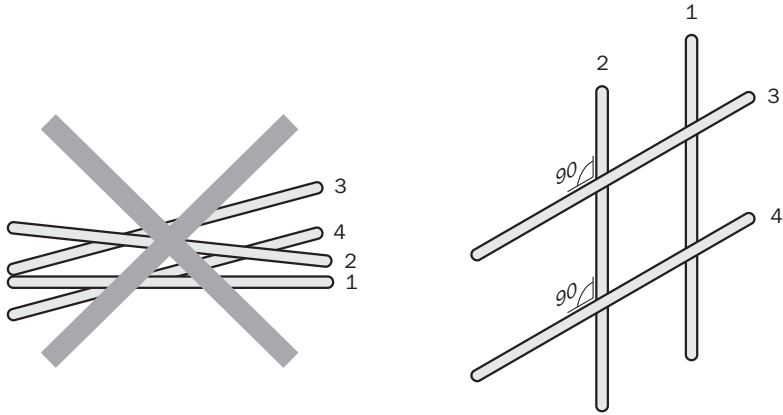


Figure 14: Cross cables at right angles

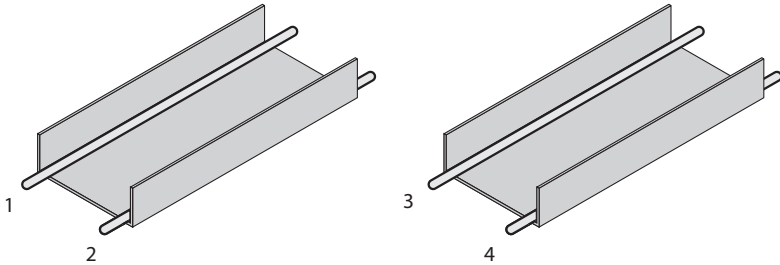


Figure 15: Ideal laying - Place cables in different cable channels

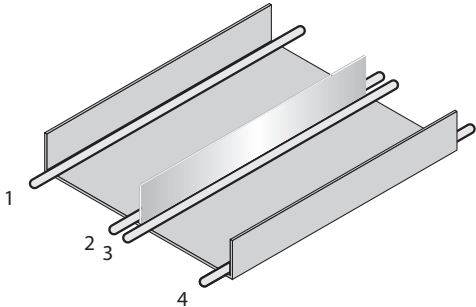


Figure 16: Alternative laying – Separate cables with metallic separators

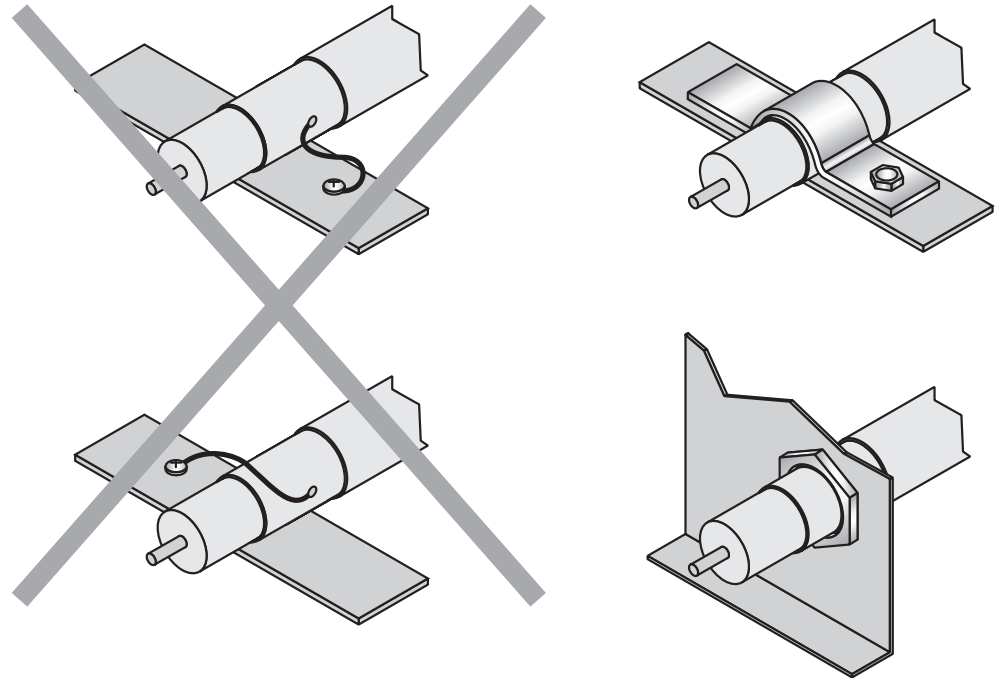


Figure 17: Make an extensive and low-impedance ground connection of the cable shield in the control cabinet.

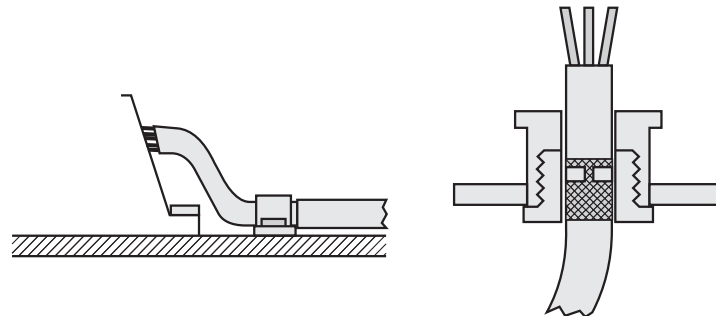


Figure 18: Shield connection in plastic housings



**NOTE**

Prevent equipotential bonding currents via the cable shield with a suitable grounding concept.

### 6.3 Connect sensor electrically



**NOTE**

The connection diagram, and information on inputs and outputs can be found on the type label on the sensor.

1. Ensure that there is no voltage.
2. Connect the sensor according to the connection diagram.



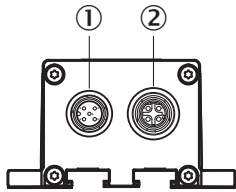


Figure 19: Position of the electrical connections

- ① Data interface, M12 male connector, 5 or 8-pin
- ② Ethernet interface, female connector M12, 4-pin



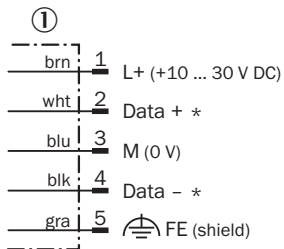
**NOTE**

Reliable data transmission is only possible when using screened cables with twisted-pair conductors. A correct and complete cable shielding concept is required for trouble-free operation. In particular, it is necessary to ensure that the cable shield contacts the control cabinet and the linear measurement sensor at both ends.

The cable shield of the pre-assembled cable is connected to the knurled nut or the functional earth connection pin and thus also to the sensor housing. Appropriate measures must be taken to prevent equipotential bonding currents flowing through the cable shield.

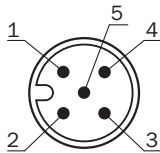
**6.4 Connection diagrams**

**6.4.1 Connection diagram RS-485**



M12 (A-coded)

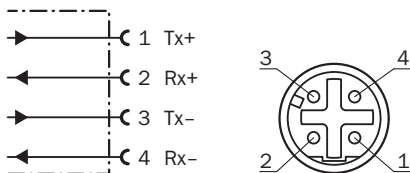
\* Termination resistors integrated in sensor



| Contact | Marking | Wire color | Description                    |
|---------|---------|------------|--------------------------------|
| 1       | L+      | Brown      | Supply voltage: +10 - +30 V DC |
| 2       | Data +  | White      | Data cable +                   |
| 3       | M       | Blue       | Supply voltage: 0 V            |
| 4       | Data -  | Black      | Data cable -                   |
| 5       | FE      | Gray       | Shield                         |

Table 2: Connection diagram RS-485, male connector M12, 5-pin, A coded

**6.4.2 Ethernet connection diagram**



| Contact | Marking | Description           |
|---------|---------|-----------------------|
| 1       | Tx+     | Send data signal +    |
| 2       | Rx+     | Receive data signal + |
| 3       | Tx-     | Send data signal -    |
| 4       | Rx-     | Receive data signal - |

*Table 3: Ethernet connection diagram port 1 and port 2*

## 7 Commissioning

### 7.1 Configure the sensor

If required, the factory setting of the linear measurement sensor can be modified using the corresponding serial data interface (only in RS-422 or RS-485 variant). In addition, diagnostic data can be interrogated. Alternatively, the factory setting can be changed and diagnostic data interrogated via the Ethernet configuration interface in all variants. The parameters that can be displayed and changed depend on the data interface in question.

### 7.2 Configuration and servicing with SOPAS Engineering Tool (SOPAS ET)

For configuration of the linear measurement sensor and servicing or diagnostic purposes, the sensor can be accessed using the SOPAS ET software.

To use the SOPAS ET with the linear measurement sensor, a PC with an Ethernet connection is required. In addition, a suitable Ethernet connecting cable (RJ45 male connector on M12 male connector) is required.



#### NOTE

The most up-to-date version of the SOPAS ET software can be downloaded at [http://www.mysick.com/en/SOPAS\\_ET](http://www.mysick.com/en/SOPAS_ET).

The relevant system requirements for installing SOPAS ET on a PC are also specified there.

---

A sensor has the following IP network configuration in its delivery condition:

- Permanent IP address (no DHCP)
- IP address: 192.168.100.236
- IP network mask: 255.255.255.0
- Standard gateway: not present (address 0.0.0.0)

#### 7.2.1 Parameters for output of measured values

On the PARAMETERS PAGE, settings for output of measured values can be made.

##### Action in case of read errors

If the sensor cannot identify any bar codes on a bar code tape, the position value 0 is output. At the same time the error is displayed in SOPAS ET and output over the data interface. Alternatively, the action on read errors can be changed to RETAIN MEASURED VALUE. With this setting, instead of the value 0, the last valid position value is output, should there be an error. This value is retained until a valid position value is available again. At the data interface, the error is always output, irrespective of this setting.

---



#### NOTE

The RETAIN MEASURED VALUE option is only available if the data interface has been configured to enable the regular output of errors.

---

##### Resolution

The output of the position value at the data interface can be at different resolutions.

Possible values are:

- 0.1 mm
- 1 mm

### Multiple reading

The MULTIPLE READING option allows the detection reliability of the sensor to be increased. With this, a bar code is only evaluated if it has been read correctly several times. The settings which can be used for multiple reading depend on the maximum traversing speed. With the AUTO option, multiple reading is adjusted dynamically according to the current traversing speed.

| Setting      | Max. traverse speed        |
|--------------|----------------------------|
| Dynamic (1x) | Up to 10.0 m/s             |
| Medium (3x)  | Up to 3.3 m/s              |
| Rugged (5x)  | Up to 2.0 m/s              |
| Auto         | Up to 10.0 m/s (see above) |

### SmartPOS

The SMARTPOS function enables the output of a position value even under impeded reading conditions. These can be caused by:

- Dirty bar code tape
- Damaged bar code tape
- Interruption of the bar code tape (e. g. at diverters or expansion joints)

If, as a result of the stated read interference bar codes can no longer be read, the current position value is determined in another way. Initially, an attempt is made to determine the position change from processing raw images taken by the sensor. Pictures taken in sequence are compared to determine a change in position (shift). Starting from the last valid position value, the current position value is updated incrementally.

If image data cannot be evaluated, the position value is calculated by extrapolation. For this, the most recent position, traversing speed, and acceleration are taken into account. Extrapolation is only used in the MEASURING ERROR and EXTRAPOLATION TIME SmartPOS operating modes. With the SMARTPOS OPERATING MODE settings, it can be established if and to what extent these two procedures should be used. As soon as it is once again possible to detect a valid position value from the bar codes read, output will recommence.

| SmartPOS operating mode | Description  |
|-------------------------|--|
| Measuring error         | It is guaranteed that the maximum possible measurement error (difference between the output position and the actual position) is no greater than the defined value. If the maximum possible measurement error could exceed the defined value, the SMARTPOS function is interrupted and an error output.    |
| Product travel path     | The SMARTPOS function is restricted to a particular product travel path. Starting with the position at which bar codes could last be read, with SMARTPOS the maximum set distance can be reset in both directions. If this distance is exceeded, the SMARTPOS function is interrupted and an error output. |
| Extrapolation time      | The SMARTPOS function is restricted to a particular duration. Starting from the most recent time at which bar codes could be read, the position value is determined with SMARTPOS for the set duration. If this duration is exceeded, the SMARTPOS function is interrupted and an error output.            |

As an option, the sensor can indicate whether SMARTPOS is active. To do this, the output for warning F2 SMARTPOS ACTIVE must be switched on in SOPAS ET. The output is effected via the status LED on the sensor (flashes green), SOPAS ET, and the data interface. Warning F2 SMARTPOS ACTIVE is deactivated by default.

## 7.2.2 Diagnostics

Using SOPAS ET, it is possible to monitor the operational status of the sensor. In particular, the following values can be monitored:

| Page          | Values  |
|---------------|---|
| Measured data | Current plotter position and travel speed for position and numerical value  |
| Diagnostics   | Read quality (number of bar codes in the field of view), errors and warnings, signal quality (exposure time), temperature in the sensor.<br>Illustration of the LEDs on the sensor. |



### NOTE

With the data recorder present in SOPAS ET, it is possible to record measurement and diagnostics data from the sensor and to export them as a file (e. g. Microsoft Excel).

## 7.2.3 Changing the bar code tape alignment

Using SOPAS ET, the bar code tape alignment can be changed during running operation see "[Function](#)", [Page 10](#). This function can be found on the METHODS page.



### NOTE

Changes to bar code alignment are not stored permanently by SOPAS ET and are deleted after restarting the sensor.

## 7.3 RS-485 interface (binary protocol type 2)

Linear measurement sensor OLM100-1005S01 is a variant of the OLM100 that communicates via RS-485 with a special protocol. The default communication settings are as follows:

- Device address: "0"
- Resolution: 1 mm
- Data transmission rate: 62k5
- Data format: 9n1

The protocol of the OLM100-1005S01 is compatible with the protocol of previously familiar type 2 binary protocol RS-485 sensors of other manufacturers.

### 7.3.1 Commands

Binary protocol type 2 makes it possible to interrogate position values, control marks and diagnostic data of the sensor or to switch off the LED lighting of the sensor (sleep mode). This is done using commands which are sent as control bytes to the sensor. The command is selected using bit no. 2 to bit no. 4 in the control byte.

The two least significant bits, bit no. 0 or bit no. 1, are used for addressing where several sensors are operated in a network.



**NOTE**

Only one bit out of bit no. 2 to bit no. 4 is allowed to be set for each control byte. If several bits are set then only the bit with the highest priority is processed. Priority of the bits:

- 1 Diagnostic data
- 2 Control mark information
- 3 Sleep mode
- 4 Position values

**Request to sensor (control byte)**

| Bit no. | Description  |
|---------|--|
| 0       | Address (can only be changed with Ethernet)                        |
| 1       | Address (can only be changed with Ethernet)                        |
| 2       | 0 = Request position value<br>1 = Request control mark information |
| 3       | 0 = Request position value<br>1 = Request diagnostic data          |
| 4       | 0 = Measure<br>1 = Switch off LED illumination (Sleep Mode)        |
| 5       | No function, permanently set to 1                                  |
| 6       | No function, permanently set to 1                                  |
| 7       | No function, permanently set to 0                                  |
| 8       | No function, permanently set to 1                                  |

Table 4: Request to sensor (control byte)

**Response from sensor**

| Bit no. | Description                              |
|---------|--|
| 0 (MSB) | Status byte                              |
| 1       | Data byte 1 (bits 23 - 16)               |
| 2       | Data byte 2 (bits 15 - 8)                |
| 3       | Data byte 3 (bits 7 - 0)                 |
| 4       | XOR logic operation of bytes 0 - 3       |
| 5       | Repetition of data byte 1 (bits 23 - 16) |
| 6       | Repetition of data byte 2 (bits 15 - 8)  |
| 7 (LSB) | Repetition of data byte 3 (bits 7 - 0)   |

Table 5: Response from sensor

Depending on the sent command, the content of data bytes 1 to 3 can consist either of a position value of control mark information or diagnostic data.

**Description of the status byte (byte 0)**

| Bit no. | Function | Value | Description                         |
|---------|----------|-------|-------------------------------------|
| 0 (LSB) | Err      | 0     | Position value calculation correct  |
|         |          | 1     | Error in position value calculation |

Table 6: Description of the status byte

| Bit no. | Function | Value | Description  |
|---------|----------|-------|--|
| 1       | OUT      | 0     | Bar code visible   |
|         |          | 1     | No bar code visible  |
| 2       | QTO      |       | Pre-failure contamination (00 - 11 = not contaminated - highly contaminated) |
| 3       | QT1      |       | Pre-failure contamination (00 - 11 = not contaminated - highly contaminated) |
| 4       | A0       |       | Address  |
| 5       | A1       |       | Address  |
| 6       | M        | 0     | No control mark present  |
|         |          | 1     | Control mark present   |
| 7       | D        | 0     | No diagnostic data present   |
|         |          | 1     | Diagnostic data present  |
| 8 (MSB) | NU       | 0     | No function, permanently set to 0  |

Table 6: Description of the status byte

**Description of the data bytes (byte 1 - 7)**

| Byte no. | Function | Description   |
|----------|----------|---|
| 1 - 3    | 0 - 8    | Data, binary coded, bit 8 always 0                            |
| 4        | 0 - 8    | Block check digit, XOR logic operations from byte 0 to byte 3 |
| 5 ... 7  | 0 ... 8  | Repetition of the data, binary coded, bit 8 always 0          |

Table 7: Description of the data bytes

**7.3.2 Example for command to request the position value**

Request **position value** to sensor:

| Bit no. 8 | Bit no. 7 | Bit no. 6 | Bit no. 5 | Bit no. 4 | Bit no. 3 | Bit no. 2 | Bit no. 1 | Bit no. 0 |
|-----------|-----------|-----------|-----------|-----------|-----------|-----------|-----------|-----------|
| 1         | 0         | 1         | 1         | 0         | 0         | 0         | 0         | 0         |

Table 8: Example of request position value

Control byte for device address 0

Response from sensor for position 10335 mm = **00285F** (hex):

| Byte no. | Description         | Bit no. 8                          | Bit no. 7 | Bit no. 6 | Bit no. 5 | Bit no. 4 | Bit no. 3 | Bit no. 2 | Bit no. 1 | Bit no. 0 | Value in hex |
|----------|---------------------|------------------------------------|-----------|-----------|-----------|-----------|-----------|-----------|-----------|-----------|--------------|
| 0        | Status byte         | 0                                  | 0         | 0         | 0         | 0         | 0         | 0         | 0         | 0         | 0x00         |
| 1        | Data byte 1         | 0                                  | 0         | 0         | 0         | 0         | 0         | 0         | 0         | 0         | 0x00         |
| 2        | Data byte 2         | 0                                  | 0         | 0         | 1         | 0         | 0         | 0         | 0         | 0         | 0x28         |
| 3        | Data byte 3         | 0                                  | 0         | 1         | 0         | 1         | 1         | 1         | 1         | 1         | 0x5F         |
| 4        | XOR logic operation | XOR logic operation on bytes 0 - 3 |           |           |           |           |           |           |           |           |              |

Table 9: Example response for position 10335 mm

| Byte no. | De-scription | Bit no. 8 | Bit no. 7 | Bit no. 6 | Bit no. 5 | Bit no. 4 | Bit no. 3 | Bit no. 2 | Bit no. 1 | Bit no. 0 | Value in hex |
|----------|--------------|-----------|-----------|-----------|-----------|-----------|-----------|-----------|-----------|-----------|--------------|
| 5        | Data byte 1  | 0         | 0         | 0         | 0         | 0         | 0         | 0         | 0         | 0         | 0x00         |
| 6        | Data byte 2  | 0         | 0         | 0         | 1         | 0         | 1         | 0         | 0         | 0         | 0x28         |
| 7        | Data byte 3  | 0         | 0         | 1         | 0         | 1         | 1         | 1         | 1         | 1         | 0x5F         |

Table 9: Example response for position 10335 mm

Status byte for: no error in distance calculation, bar code visible, no contamination, device address 0, no control mark, no diagnostic data

### 7.3.3 Example for command to request the control mark information

Detection of a control mark is indicated in the status byte (bit no. 6). After a control byte has been sent, the control mark information can be requested and, as a result, the status byte reset simultaneously. The control mark information is output as a three-place ASCII hex value. If the control mark information is not requested then position values continue to be output and the status byte continues to show an existing control mark.



#### NOTE

A maximum of 1 control mark is permitted in the field of view of the sensor.



#### NOTE

The marks are available for download and can then be printed out:

► <http://www.mysick.com/en/olm100>

The print resolution must be at least 1200 dpi (pixels per inch). Page or size adjustment must be deactivated.

Request **control mark information** to sensor:

| Bit no. 8 | Bit no. 7 | Bit no. 6 | Bit no. 5 | Bit no. 4 | Bit no. 3 | Bit no. 2 | Bit no. 1 | Bit no. 0 |
|-----------|-----------|-----------|-----------|-----------|-----------|-----------|-----------|-----------|
| 1         | 0         | 1         | 1         | 0         | 0         | 1         | 0         | 0         |

Table 10: Request control mark information

Control byte for device address 0

Response from sensor for control mark = **A58** (ASCII):

| Byte no. | De-scription | Bit no. 8 | Bit no. 7 | Bit no. 6 | Bit no. 5 | Bit no. 4 | Bit no. 3 | Bit no. 2 | Bit no. 1 | Bit no. 0 | Value in hex | Value in ASCII |
|----------|--------------|-----------|-----------|-----------|-----------|-----------|-----------|-----------|-----------|-----------|--------------|----------------|
| 0        | Status byte  | 0         | 0         | 1         | 0         | 0         | 0         | 0         | 0         | 0         | 0x40         |                |
| 1        | Data byte 1  | 0         | 0         | 1         | 0         | 0         | 0         | 0         | 0         | 1         | 0x41         | A              |
| 2        | Data byte 2  | 0         | 0         | 0         | 1         | 1         | 0         | 1         | 0         | 1         | 0x35         | 5              |
| 3        | Data byte 3  | 0         | 0         | 0         | 1         | 1         | 1         | 0         | 0         | 0         | 0x38         | 8              |

Table 11: Response for control mark A58



| Byte no. | Description         | Bit no. 8                          | Bit no. 7 | Bit no. 6 | Bit no. 5 | Bit no. 4 | Bit no. 3 | Bit no. 2 | Bit no. 1 | Bit no. 0 | Value in hex | Value in ASCII |
|----------|---------------------|------------------------------------|-----------|-----------|-----------|-----------|-----------|-----------|-----------|-----------|--------------|----------------|
| 4        | XOR logic operation | XOR logic operation on bytes 0 - 3 |           |           |           |           |           |           |           |           |              |                |
| 5        | Data byte 1         | 0                                  | 0         | 1         | 0         | 0         | 0         | 0         | 0         | 1         | 0x41         | A              |
| 6        | Data byte 2         | 0                                  | 0         | 0         | 1         | 1         | 0         | 1         | 0         | 1         | 0x35         | 5              |
| 7        | Data byte 3         | 0                                  | 0         | 0         | 1         | 1         | 1         | 0         | 0         | 0         | 0x38         | 8              |

Table 11: Response for control mark A58

Status byte for: no error in distance value calculation, bar code visible, no contamination, device address 0, control mark present, no diagnostic data.

### 7.3.4 Example for command to request the diagnostic data

Detection of an error is indicated in the status byte (bit no. 7). After a control byte as been sent, the diagnostic data can be requested. The diagnostic data is output as a three-place ASCII hex value.

The status byte is not reset until no more diagnostic data is present and the data has been requested using the control byte.

Request **diagnostic data** to sensor:

| Bit no. 8 | Bit no. 7 | Bit no. 6 | Bit no. 5 | Bit no. 4 | Bit no. 3 | Bit no. 2 | Bit no. 1 | Bit no. 0 |
|-----------|-----------|-----------|-----------|-----------|-----------|-----------|-----------|-----------|
| 1         | 0         | 1         | 1         | 0         | 1         | 0         | 0         | 0         |

Table 12: Request diagnostic data

Control byte for device address 0

Response from sensor for diagnostic data = **E09** (ASCII):

| Byte no. | Description         | Bit no. 8                          | Bit no. 7 | Bit no. 6 | Bit no. 5 | Bit no. 4 | Bit no. 3 | Bit no. 2 | Bit no. 1 | Bit no. 0 | Value in hex | Value in ASCII |
|----------|---------------------|------------------------------------|-----------|-----------|-----------|-----------|-----------|-----------|-----------|-----------|--------------|----------------|
| 0        | Status byte         | 0                                  | 1         | 0         | 0         | 0         | 0         | 0         | 0         | 1         | 0x81         |                |
| 1        | Data byte 1         | 0                                  | 0         | 1         | 0         | 0         | 0         | 1         | 0         | 1         | 0x45         | E              |
| 2        | Data byte 2         | 0                                  | 0         | 0         | 1         | 1         | 0         | 0         | 0         | 0         | 0x30         | 0              |
| 3        | Data byte 3         | 0                                  | 0         | 0         | 1         | 1         | 1         | 0         | 0         | 1         | 0x39         | 9              |
| 4        | XOR logic operation | XOR logic operation on bytes 0 - 3 |           |           |           |           |           |           |           |           |              |                |
| 5        | Data byte 1         | 0                                  | 0         | 1         | 0         | 0         | 0         | 1         | 0         | 1         | 0x45         | E              |
| 6        | Data byte 2         | 0                                  | 0         | 0         | 1         | 1         | 0         | 0         | 0         | 0         | 0x30         | 0              |
| 7        | Data byte 3         | 0                                  | 0         | 0         | 1         | 1         | 1         | 0         | 0         | 1         | 0x39         | 9              |

Table 13: Response for response for diagnostic data E09

Status byte for: error present in distance calculation, bar code visible, no contamination, device address 0, no control mark, diagnostic data present. The Exx diagnostic data is assigned to the Fx error codes from "[Warning and error messages](#)", [Page 36](#) as follows:

- E01: F6 (unused)
- E05: F7 (sensor outside the measuring range)
- E06: F2 (SmartPOS active warning)
- E07: F1 (temperature error)
- E08: F5 (sensor contaminated)
- E09: F4 (no plausible position values present)
- SOS (sensor is in sleep mode)



### NOTE

If diagnostic data is requested although the status byte indicates there is no diagnostic data present, then the version number of the sensor is displayed instead of the error message Exx, e. g. 100 for 1.00.

---

## 8 Maintenance

### 8.1 Cleaning



**ATTENTION**

**Sensor damage due to improper cleaning.**

Improper cleaning may result in damage to the sensor.

- Never use cleaning agents containing aggressive substances.
- Never use pointed objects for cleaning.

- ▶ Clean the front screens at regular intervals with a lint-free cloth and plastic cleaning agent. The cleaning interval essentially depends on the ambient conditions.

**Bar code tape**

If the bar code tape is heavily contaminated with oil or grease, this can be removed with isopropanol (80%).



**NOTE**

Do not clean the bar code tape using continuously traveling cleaning devices, since this will impair the reading quality.

### 8.2 Maintenance

The sensor requires the following maintenance work at regular intervals:

| Interval  | Maintenance work                                 | To be carried out by |
|---|--|----------------------|
| Cleaning interval depends on ambient conditions and climate | Clean housing and front screen                   | Specialist           |
| Every 6 months  | Check the screw connections and plug connections | Specialist           |

Table 14: Maintenance schedule

## 9 Troubleshooting

Possible faults and rectification measures are described in the table below. In case of faults that cannot be rectified using the information below, please contact the manufacturer. Please refer to the back page of these operating instructions for your agent's contact details.

### General faults, warnings and errors

General faults are subdivided into warnings and errors. For active warnings, current measured values are output, for active errors, measurement is no longer possible. Warnings and errors are signaled by the STATUS LED. Warnings and errors can also be output via the multifunctional outputs or the data interface. They are not stored in the sensor. The POWER LED signals that the sensor is connected to the power supply.

### 9.1 Warning and error messages

| Indication on display (meaning)                                  | LED indicator   | Possible causes   | Troubleshooting   |
|--|---|---|---|
| Error F1<br>(Over or under temperature)                          | <ul style="list-style-type: none"> <li>■ Power LED: red</li> <li>■ Status LED: off</li> </ul>               | The internal temperature of the sensor is outside the permissible range.  | <ul style="list-style-type: none"> <li>■ Check ambient temperature. Provide better ventilation if necessary.</li> <li>■ Shield the device from radiated heat, e. g. shade the device from direct sunlight.</li> <li>■ Where ambient temperatures are low, wait for warm up phase (at temperatures <math>\leq -20</math> °C).</li> </ul> |
| Warning F2<br>SmartPOS active                                    | <ul style="list-style-type: none"> <li>■ Power LED: green</li> <li>■ Status LED: green, flashing</li> </ul> | SmartPOS function is active<br>Position not determined from bar codes, but from processing raw images or extrapolation <a href="#">see "Configuration and servicing with SOPAS Engineering Tool (SOPAS ET)", Page 27.</a> | Check bar code tape and sensor. Remove contamination and rectify damage.  |
| Error F3<br>(no bar code tape detected)                          | <ul style="list-style-type: none"> <li>■ Power LED: green</li> <li>■ Status LED: red</li> </ul>             | <ul style="list-style-type: none"> <li>■ No bar code tape present.</li> <li>■ Sensor poorly aligned.</li> <li>■ Sensor or bar code tape totally contaminated.</li> <li>■ Working distance too small/large.</li> </ul>     | <ul style="list-style-type: none"> <li>■ Mount bar code tape in front of sensor.</li> <li>■ Align sensor with the bar code tape.</li> <li>■ Clean the optical limit surfaces of the sensor and the bar code tapes.</li> <li>■ Check the distance between the sensor and the bar code tape.</li> </ul>                                   |
| Error F4<br>(error during position value calculation/read error) | <ul style="list-style-type: none"> <li>■ Power LED: green</li> <li>■ Status LED: red</li> </ul>             | <ul style="list-style-type: none"> <li>■ Alignment of bar code not detected.</li> <li>■ Bar code tape damaged.</li> <li>■ Unsuitable bar code tape used.</li> </ul>   | <ul style="list-style-type: none"> <li>■ Interrupt the supply voltage or send cold start command.</li> <li>■ Renew bar code tape.</li> <li>■ Use original bar code tape <a href="#">see "Bar code tape", Page 43.</a></li> </ul>  |

Table 15: Warning and error messages

| Indication on display (meaning)             | LED indicator   | Possible causes   | Troubleshooting  |
|---|---|---|--|
| Warning F5 (contamination)                  | <ul style="list-style-type: none"> <li>■ Power LED: green</li> <li>■ Status LED: red, flashing</li> </ul> | <ul style="list-style-type: none"> <li>■ Sensor or bar code tape contaminated.</li> <li>■ Insufficient illumination.</li> </ul> | <ul style="list-style-type: none"> <li>■ Clean bar code tape and optical limit surfaces of the sensor.</li> <li>■ Replace sensor.</li> </ul> |
| Error F7 (position outside measuring range) | <ul style="list-style-type: none"> <li>■ Power LED: green</li> <li>■ Status LED: red</li> </ul>           | Calculated position value smaller than 0 or greater than 10 km.   | Modify the value range of the attached bar code tape accordingly.  |
| Memory error                                | <ul style="list-style-type: none"> <li>■ Power LED: red</li> <li>■ Status LED: red</li> </ul>             | Internal error  | Restart the sensor (interrupt voltage supply). If the fault recurs, contact SICK customer services. For address, see rear side.              |

Table 15: Warning and error messages

## 9.2 Returns

To enable efficient processing and allow us to determine the cause quickly, please include the following when making a return:

- Details of a contact person
- A description of the application
- A description of the fault that occurred

## 9.3 Repairs

Repairs of the sensor may only be carried out by the manufacturer. Any manipulation or modification of the sensor will invalidate the manufacturer warranty.

### 9.3.1 Repairing damage to bar code tape

#### Replace bar code tape

For a high-quality and long-lasting result, the use of original SICK bar code tape is recommended [see "Order notes and variants of the bar code tape", Page 44](#). The minimum ordering length is 5 m.

#### Using repair codes

PDF documents with bar codes that can be printed are available to quickly repair damaged areas on bar code tape. These can be printed on self-adhesive DIN A4 blank labels [see "Blank labels for repair codes or control marks", Page 45](#).

The PDF documents are available for download at:

- <http://www.mysick.com/en/olm100>

This means individual codes can be printed independently if necessary, in order, for example, to replace damaged segments in the short term. The bar codes can be found by following the 'PRODUCTS' link on the web page, and then selecting the relevant product type.

The bar codes can be printed out using a laser printer. Use the following settings in the printer menu:

- Paper format A4
- Resolution as high as possible – at least 1200 dpi
- Deactivate automatic page and size adjustment

### Using SmartPOS repair bar code tape

Temporary repairs to damaged areas can be achieved by covering them with SmartPOS repair bar code tape [see "Order notes and variants of the bar code tape", Page 44](#).

This is a special repair tape that, unlike the normal bar code tape, does not contain any absolute position values and can therefore be used anywhere. When traveling over this tape, the sensor detects the position incrementally.

---



#### NOTE

The SMARTPOS function must be active when using SmartPOS tape [see "Configuration and servicing with SOPAS Engineering Tool \(SOPAS ET\)", Page 27](#).

---



#### NOTE

A position value determined by SmartPOS is not stored in the sensor. If the sensor is switched off and on again whilst only the SmartPOS tape is in the field of view, no position value is output.

---

## 9.4 Disposal

Observe the following points for disposal:

- Do not dispose of the device along with household waste.
- Dispose of the sensor according to the applicable country specific regulations.

## 10 Technical data



### NOTE

The relevant online data sheet for your sensor can be downloaded, saved, and printed, including technical data, dimensions, and connection diagrams:

► <http://www.mysick.com/en/olm100>

### 10.1 Type-specific data

#### Standard devices (OLM100-x0xx)

| Interface      | Bar code tape reading distance | Bar code width | Type designation |
|----------------|--------------------------------|----------------|------------------|
| SSI            | 100 mm ± 20 mm                 | 30 mm          | OLM100-1001      |
| RS-422         | 100 mm ± 20 mm                 | 30 mm          | OLM100-1003      |
| RS-485         | 100 mm ± 20 mm                 | 30 mm          | OLM100-1005      |
| RS-485, binary | 100 mm ± 20 mm                 | 30 mm          | OLM100-1005S01   |
| CANopen        | 100 mm ± 20 mm                 | 30 mm          | OLM100-1006      |
| SSI            | 130 mm ± 20 mm                 | 40 mm          | OLM100-1051      |

#### Suitable bar code tapes

For the OLM100-xx0x variants, suitable bar code tapes with a bar code width of 30 mm and a tape height of 25 mm, 30 mm, 40 mm, 60 mm, or 100 mm are available as accessories.

No bar code tapes are available as accessories for the OLM100-xx5x variants. These devices are only used in existing machines in which a bar code tape with a bar code width of 40 mm is already installed.

### 10.2 Performance

|   |  |
|---|--|
| Resolution  | 0.1 mm, 1 mm (OLM-1005S01)                                       |
| Repeatability <sup>1</sup>                                | 1 mm (OLM10xx)   |
| Output rate   | 1 ms (OLM100-1xx1, OLM100-1xx6), 5 ms (OLM100-1xx3, OLM100-1xx5) |
| Light sender  | LED, red   |
| Measurement range of the product travel path <sup>2</sup> | 0 m - 10000 m  |
| Max. traverse speed                                       | 4 m/s (OLM10xx)  |

<sup>1</sup> Statistical error 3 σ, no warm-up time required

<sup>2</sup> Dependant on the set resolution and transfer protocol

### 10.3 Mechanics/electronics

|                                   |                  |
|-----------------------------------|------------------|
| Supply voltage $U_v$ <sup>1</sup> | DC 10 V ... 30 V |
| Residual ripple <sup>2</sup>      | ≤ 5 Vss          |
| Power consumption                 | < 3 W            |
| Initialization time               | Approx. 3 s      |
| Weight                            | Approx. 170 g    |

|                  |  |
|------------------|--|
| Housing material | <ul style="list-style-type: none"> <li>■ Housing: magnesium, zinc</li> <li>■ Front screen: PMMA</li> </ul> |
| Connections      | M12  |

- 1 Limit values, reverse-polarity protected  
 2 May not fall below or exceed  $U_V$  tolerances.

## 10.4 Ambient data


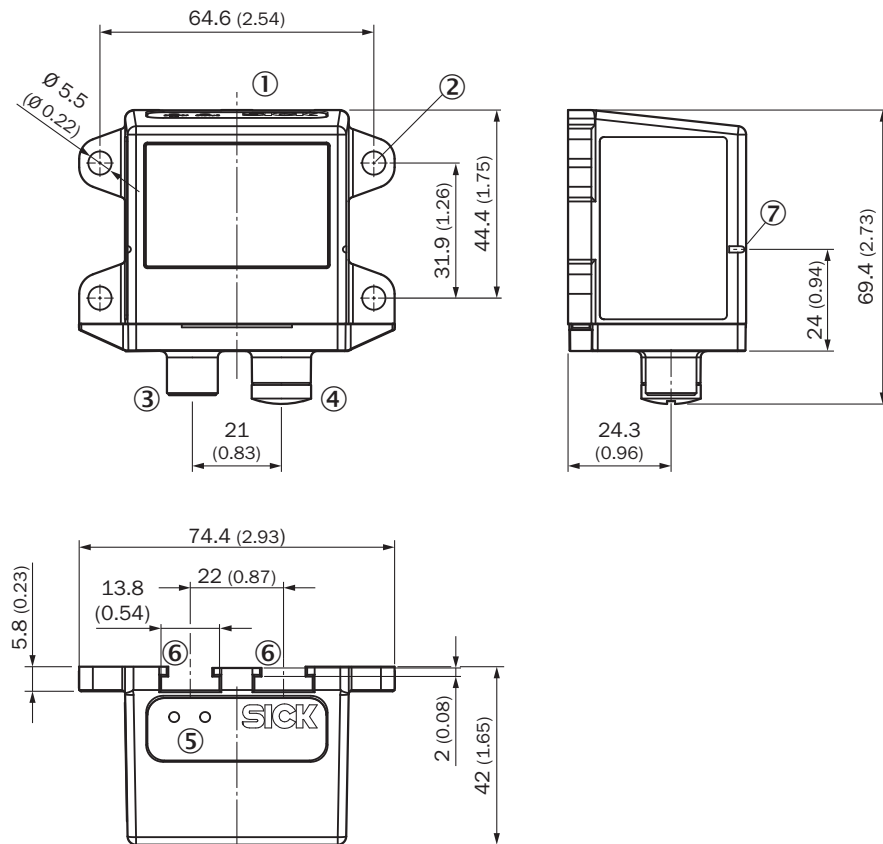
|   |  |
|---|--|
| Protection class                            | <br>Suitable for operation in PELV (Protective Extra Low Voltage) systems with safe separation. |
| Electromagnetic compatibility               | EN 61000-6-2, EN 61000-6-4   |
| Ambient temperature range <sup>1 2</sup>    | -30 °C - +60 °C  |
| Storage temperature range                   | -40 °C - +75 °C  |
| Typical ambient light immunity <sup>3</sup> | ≤ 30000 lx   |
| Enclosure rating                            | IP 65  |
| Vibration resistance                        | EN 60068-2-6, EN 60068-2-64  |
| Shock resistance                            | EN 60086-2-27  |

Table 16: Ambient data

- 1 Temperatures ≤ 20 °C with 5 min warm-up time  
 2 Maximum 95% humidity, non condensing  
 3 Typical value at +25 °C ambient temperature



### 10.5 Dimensional drawing



- ① Reference axis position measurement
- ② Fixing hole
- ③ Connection plug M12, 5-pin or 8-pin
- ④ Connector socket Ethernet M12, 4-pin
- ⑤ Status LEDs
- ⑥ T-slot
- ⑦ Alignment aid (slot)

### 10.6 Bar code tape

|   |  |
|---|--|
| Upper material                          | Polyester film, white, matt, silicone-free                                       |
| Foil thickness acc. to ISO 534          | 56 µm ± 10 %   |
| Upper material thickness incl. adhesive | Approx. 102 µm   |
| Tear resistance acc. to ISO 1184        | > 150 N/15 mm  |
| Adhesive                                | Permanent adhesive based on modified acrylates. Suitable for problem substrates. |

Table 17: Bar code tape

|  |   |                                 |
|--|---|---------------------------------|
| Adhesive force (adhesive force level T acc. to DIN 30646, measured on stainless steel) | Steel   | > 9.3 N/10 mm                   |
|  | Aluminum  | > 8.0 N/10 mm                   |
|  | Polypropylene   | > 6.2 N/10 mm                   |
|  | HD polyethylene   | > 4.3 N/10 mm                   |
|  | Smooth powder paint   | > 7.8 N/10 mm                   |
| Min. adhesion temperature  | > +4 °C   |                                 |
| Temperature Resistance   | -40 °C - +150 °C  |                                 |
| Chemical resistance  | Resistant to most oils and greases, fuels, aliphatic solvents and dilute acids. |                                 |
| Load test (bonded to stainless steel), no issues                                       | Relative humidity 98 %  | 120 h at 38 °C                  |
|  | Diesel oil  | 4 h at 23 °C                    |
|  | Glass cleaner   | 4 h                             |
|  | Isopropanol   | 4 h                             |
|  | DOT brake fluid 4   | 4 h                             |
|  | Heptane   | 4 h                             |
|  | Engine oil SAE 15W40  | 4 h                             |
|  | Toluol  | 4 h                             |
|  | Industrial cleaner  | 4 h                             |
|  | Kerosene (US), paraffin (GB)  | 4 h                             |
|  | Washing-up liquid   | 24 h                            |
|  | Salt spray test acc. to DIN 50021 SS  | 150 h                           |
|  | Climatic stress acc. to DIN 50018 SFW 2.0                                       | No change after 2 stress cycles |
| Base corrosion   | No corrosion on the glued base  |                                 |
| Dimensional stability  | Key figure 02 (checked to DIN 30646) Shrinkage < 0.2%                           |                                 |

Table 17: Bar code tape

## 11 Accessories



**NOTE**

Accessories can be found online at:

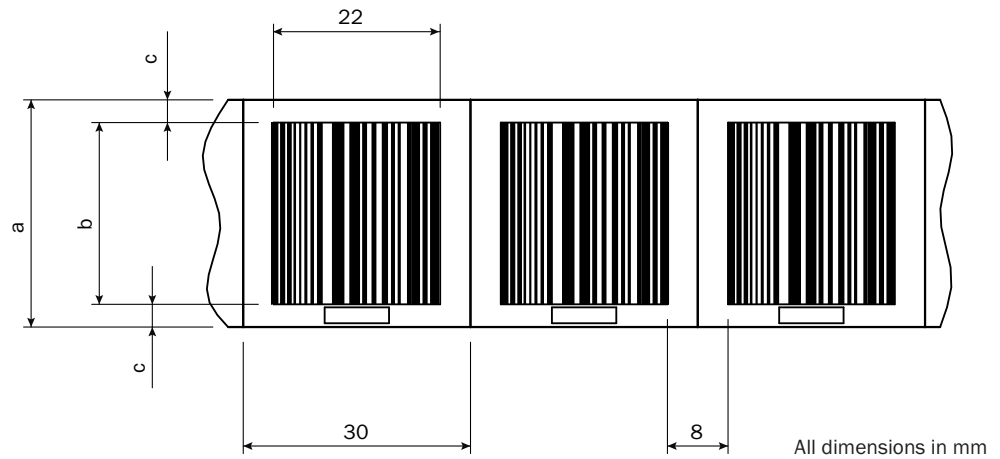
► <http://www.mysick.com/en/olm100>

### 11.1 Bar code tape

The bar code tape is available in the following heights: 25 mm, 30 mm, 40 mm, 60 mm, and 100 mm. The width of the bar code is always 30 mm.

For correct mounting of the bar code tape see "Mount the bar code tape", Page 16.

**Dimensions of the bar code tape**



| a (height of the bar code tape) | b (height of the bar code) | c (distance of the bar code to the edge of the bar code tape) |
|---------------------------------|----------------------------|---|
| 25                              | 24                         | 0   |
| 30                              | 24                         | 3   |
| 40                              | 34                         | 3   |
| 60                              | 54                         | 3   |
| 100                             | 94                         | 3   |

**Bar code tape printing**

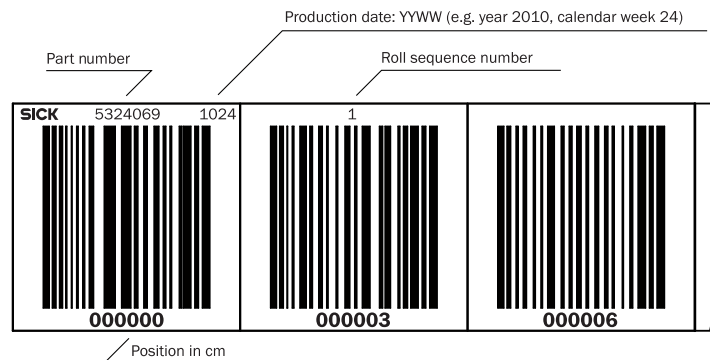


Figure 20: Bar code tape, height 30/40/60/100 mm

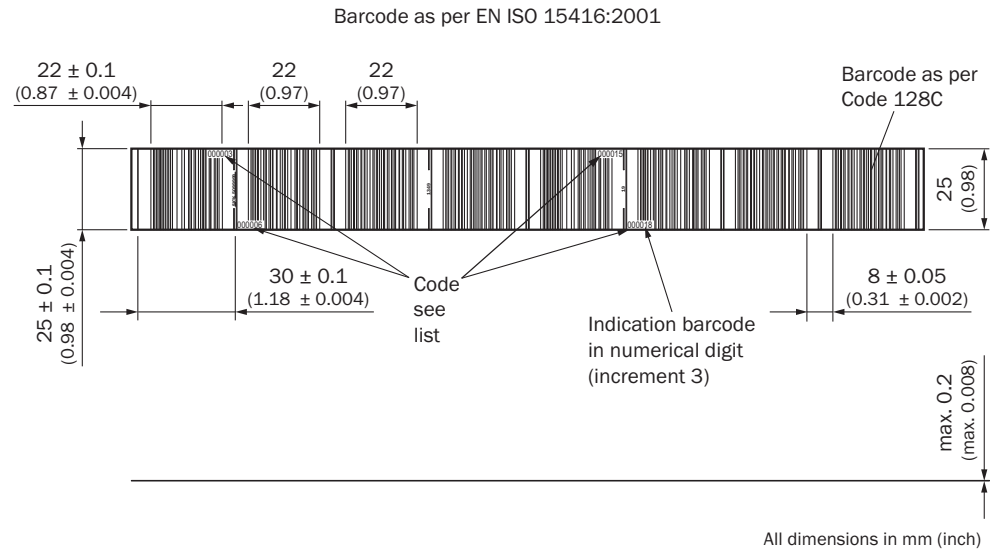


Figure 21: Bar code tape, 25 mm height

### 11.2 Order notes and variants of the bar code tape

The bar code tape is available from the warehouse for measuring ranges from 0 to 120 m, in lengths of 20 m per roll. Bar code tape for measuring ranges that exceed 120 m or which cannot reasonably be represented with the available 20 m sections can be produced for specific customer orders. For measuring ranges greater than 120 m, we recommend ordering the entire measuring range as a bar code tape produced as a specific customer order.



**NOTE**

Detailed ordering information for the bar code tape can be found online at:

► <http://www.mysick.com/en/olm100>

**Customer specific bar code tape**

| Bar code tape                | Part no. | Description  |
|------------------------------|----------|--|
| Width 30 mm<br>Height 25 mm  | 5328960  | Bar code tape with customer specific printed measuring range. Tape height = 25 mm/minimum length = 20 m<br>Delivery on rolls with max. 20 m length per roll  |
| Width 30 mm<br>Height 30 mm  | 5322556  | Bar code tape with customer specific printed measuring range. Tape height = 30 mm/minimum length = 20 m<br>Delivery on rolls with max. 20 m length per roll  |
| Width 40 mm<br>Height 40 mm  | 5323951  | Bar code tape with customer specific printed measuring range. Tape height = 40 mm/minimum length = 20 m<br>Delivery on rolls with max. 20 m length per roll  |
| Width 30 mm<br>Height 60 mm  | 5327812  | Bar code tape with customer specific printed measuring range. Tape height = 60 mm/minimum length = 20 m<br>Delivery on rolls with max. 20 m length per roll  |
| Width 30 mm<br>Height 100 mm | 5327576  | Bar code tape with customer specific printed measuring range. Tape height = 100 mm/minimum length = 20 m<br>Delivery on rolls with max. 20 m length per roll |

**Calculation of the start and end codes (for customer specific tape)**

1. Divide the selected value from start to end of the measuring range in centimeters by 3.
2. For start code: Round the result from "1." down to the next whole number. For end code: Round the result from "1." up to the next whole number.
3. Multiply the result from "2." by 3. This produces the start or end code.

**Example:**

Start of the measuring range = 251 cm

1.  $251 / 3 = 83.667$  (divide by 3).
2.  $83.667 \rightarrow 83$  (round down to next whole number).
3.  $83 \times 3 = 249$  (multiply by 3). **Start code = 249 cm**

End of the measuring range = 986 cm

1.  $986 / 3 = 328.667$  (divide by 3).
2.  $328.667 \rightarrow 329$  (round up to next whole number).
3.  $329 \times 3 = 987$  (multiply by 3). **End code = 987 cm**

**SmartPOS repair bar code tape**

| Bar code tape                | Part no. |
|------------------------------|----------|
| Height 25 mm<br>Width 30 mm  | 5329017  |
| Height 30 mm<br>Width 30 mm  | 5329018  |
| Height 40 mm<br>Width 30 mm  | 5329019  |
| Height 60 mm<br>Width 30 mm  | 5329020  |
| Height 100 mm<br>Width 30 mm | 5329021  |

**11.3 Blank labels for repair codes or control marks**

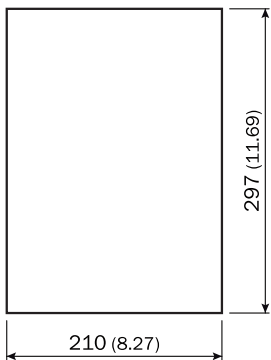
| Type   | Part number |
|--|-------------|
| Blank labels, self-adhesive, DIN-A4, 10 items (BES-A4-OLM)   | 5322680     |
|  <p style="text-align: center;">All dimensions in mm (inch)</p> |             |

Table 18: Blank labels

11.4 Sliding nuts

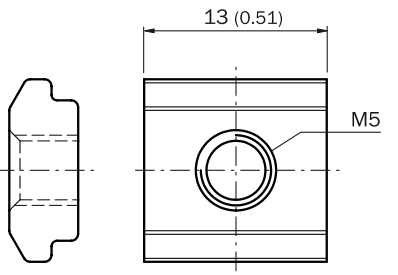
| Type   | Part number |
|--|-------------|
| Sliding nuts M5 (4 items)  | 2017550     |
|  <p data-bbox="614 625 869 651">All dimensions in mm (inch)</p> |             |

Table 19: Sliding nuts, M5

## 12 Appendix

### 12.1 EC declaration of conformity

The EC declaration of conformity can be downloaded via the Internet from:

► <http://www.mysick.com/en/olm100>

**Australia**

Phone +61 3 9457 0600  
1800 33 48 02 – tollfree  
E-Mail sales@sick.com.au

**Belgium/Luxembourg**

Phone +32 (0)2 466 55 66  
E-Mail info@sick.be

**Brasil**

Phone +55 11 3215-4900  
E-Mail marketing@sick.com.br

**Canada**

Phone +1 905 771 14 44  
E-Mail information@sick.com

**Česká republika**

Phone +420 2 57 91 18 50  
E-Mail sick@sick.cz

**China**

Phone +86 4000 121 000  
E-Mail info.china@sick.net.cn  
Phone +852-2153 6300  
E-Mail ghk@sick.com.hk

**Danmark**

Phone +45 45 82 64 00  
E-Mail sick@sick.dk

**Deutschland**

Phone +49 211 5301-301  
E-Mail info@sick.de

**España**

Phone +34 93 480 31 00  
E-Mail info@sick.es

**France**

Phone +33 1 64 62 35 00  
E-Mail info@sick.fr

**Great Britain**

Phone +44 (0)1727 831121  
E-Mail info@sick.co.uk

**India**

Phone +91-22-4033 8333  
E-Mail info@sick-india.com

**Israel**

Phone +972-4-6881000  
E-Mail info@sick-sensors.com

**Italia**

Phone +39 02 27 43 41  
E-Mail info@sick.it

**Japan**

Phone +81 (0)3 5309 2112  
E-Mail support@sick.jp

**Magyarország**

Phone +36 1 371 2680  
E-Mail office@sick.hu

**Nederland**

Phone +31 (0)30 229 25 44  
E-Mail info@sick.nl

**Norge**

Phone +47 67 81 50 00  
E-Mail sick@sick.no

**Österreich**

Phone +43 (0)22 36 62 28 8-0  
E-Mail office@sick.at

**Polska**

Phone +48 22 837 40 50  
E-Mail info@sick.pl

**România**

Phone +40 356 171 120  
E-Mail office@sick.ro

**Russia**

Phone +7-495-775-05-30  
E-Mail info@sick.ru

**Schweiz**

Phone +41 41 619 29 39  
E-Mail contact@sick.ch

**Singapore**

Phone +65 6744 3732  
E-Mail sales.gsg@sick.com

**Slovenija**

Phone +386 (0)1-47 69 990  
E-Mail office@sick.si

**South Africa**

Phone +27 11 472 3733  
E-Mail info@sickautomation.co.za

**South Korea**

Phone +82 2 786 6321/4  
E-Mail info@sickkorea.net

**Suomi**

Phone +358-9-25 15 800  
E-Mail sick@sick.fi

**Sverige**

Phone +46 10 110 10 00  
E-Mail info@sick.se

**Taiwan**

Phone +886 2 2375-6288  
E-Mail sales@sick.com.tw

**Türkiye**

Phone +90 (216) 528 50 00  
E-Mail info@sick.com.tr

**United Arab Emirates**

Phone +971 (0) 4 88 65 878  
E-Mail info@sick.ae

**USA/México**

Phone +1(952) 941-6780  
1 (800) 325-7425 – tollfree  
E-Mail info@sickusa.com

More representatives and agencies  
at [www.sick.com](http://www.sick.com)