



# Modular Style Filter Regulator with Built-in Pressure Gauge Series **AWG**

Filter Regulator with Built-in Pressure Gauge Series AWG	Model	Port size	Nominal filtration rating	Accessory
 <p data-bbox="142 949 352 981">Pages 30 to 33</p>	<b>AWG20</b>	1/8, 1/4	5 μm	Bracket Float type auto-drain Set nut for changing the mounting angle of pressure gauges
	<b>AWG30</b>	1/4, 3/8		
	<b>AWG40</b>	1/4, 3/8, 1/2		
 <p data-bbox="142 1400 352 1431">Pages 34 to 38</p>	<b>AWG20K</b>	1/8, 1/4		
	<b>AWG30K</b>	1/4, 3/8		
	<b>AWG40K</b>	1/4, 3/8, 1/2		

# Filter Regulator with Built-in Pressure Gauge Series **AWG20/30/40**



## How to Order

**AWG 30** — **03** — **G1**

### Body size

Symbol	Port size
20	1/8
30	3/8
40	1/2

### Thread type

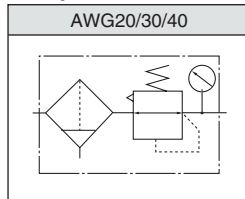
Symbol	Type
- <sup>(1)</sup>	Rc
N <sup>(2)</sup>	NPT
F <sup>(3)</sup>	G

- Note 1) Drain guide is Rc1/8 for AWG20 and Rc1/4 for AWG30 and 40.  
 Note 2) Drain guide is NPT1/8 for AWG20 and NPT1/4 for AWG30 and 40. Auto-drain port is provided with ø3.8" One-touch fitting (applicable to AWG30 and 40).  
 Note 3) Drain guide is G1/8 for AWG20 and G1/4 for ACG30 and 40.

### Port size

Symbol	Port size	Body size		
		20	30	40
01	1/8	●	—	—
02	1/4	●	●	●
03	3/8	—	●	●
04	1/2	—	—	●

### JIS Symbol



### Option

Symbol	Description	Applicable model
-	—	—
1 <sup>(4)</sup>	0.02 to 0.2 MPa setting	AWG20 to 40
2	Metal bowl	AWG20 to 40
6	Nylon bowl	AWG20 to 40
8	Metal bowl with level gauge	AWG30, 40
C	With bowl guard	AWG20
J <sup>(5)</sup>	With drain guide	AWG20 to 40
N	Non-relieving	AWG20 to 40
W	Drain cock with barb fitting: ø6 x ø4 nylon tubing	AWG30, 40
Z <sup>(6)</sup>	Name plate, caution plate for bowl, and pressure gauge in imperial units (PSI, °F)	AWG20 to 40

- \* When more than one specification is required, indicate in ascending alphanumeric order.  
 Note 4) Adjusting spring and pressure gauge (full-span 0.3 MPa) are different from those for the standard specification. Outlet pressure may still be increased from 0.2 MPa or more.  
 Note 5) Without a valve function.  
 Note 6) For thread type NPT.  
 This product is for overseas use only according to the new Measurement Law. (The SI unit type is provided for use in Japan.)

### Accessory (2)

Symbol	Description	Applicable model
-	—	—
H	With set nut	AWG20 to 40

### Accessory (1)

Symbol	Description	Applicable model
-	—	—
B	With bracket (With nuts)	AWG20 to 40
C	Float type auto-drain (Normally closed)	AWG20 to 40
D	Float type auto-drain (Normally open)	AWG30, 40

When more than one specification is required, indicate in ascending alphabetical order.

### Mounting Angle of Pressure Gauge

Symbol	G1	G2	G3	G4
Mounting angle	0°	90°	180°	270°
Mounting angle view				

\* Possible to change to the optional mounting angles.  
 For details, refer to back page 6, "Procedure for replacing or changing the mounting angle of a previous gauge".

## Accessory/Optional Combinations

- ⊙ : Combination available      ◻ : Combination not available  
 ○ : Varies depending on a model      △ : Available only with NPT thread

Combination	Symbol	Accessory				Option							Applicable filter regulator			
		B	C	D	H	1	2	6	8	C	J	N	W	Z	AWG20	AWG30/40
<b>Accessory</b>																
With bracket	B	⊙	⊙	○	◻	⊙	⊙	⊙	○	○	⊙	⊙	○	△	⊙	⊙
Float type auto-drain (Normally closed)	C	⊙	◻	◻	⊙	⊙	⊙	⊙	○	○	⊙	⊙	△	⊙	⊙	⊙
Float type auto-drain (Normally open)	D	⊙	◻	◻	⊙	⊙	⊙	⊙	○	○	⊙	⊙	△	◻	◻	◻
With set nut	H	◻	⊙	○	◻	⊙	⊙	⊙	○	○	⊙	⊙	△	⊙	⊙	⊙
<b>Option</b>																
0.02 to 0.2 MPa setting	-1	⊙	⊙	○	⊙	◻	⊙	⊙	○	○	⊙	⊙	△	⊙	⊙	⊙
Metal bowl	-2	⊙	⊙	○	⊙	⊙	◻	◻	◻	⊙	⊙	⊙	△	⊙	⊙	⊙
Nylon bowl	-6	⊙	⊙	○	⊙	⊙	◻	◻	○	⊙	⊙	○	△	⊙	⊙	⊙
Metal bowl with level gauge	-8	⊙	⊙	⊙	⊙	⊙	◻	◻	◻	⊙	⊙	⊙	△	◻	◻	⊙
With bowl guard	-C	⊙	⊙	◻	⊙	⊙	◻	◻	◻	⊙	⊙	⊙	△	⊙	◻	◻
Drain guide	-J	⊙	◻	◻	⊙	⊙	⊙	⊙	○	○	⊙	⊙	△	⊙	⊙	⊙
Non-relieving type	-N	⊙	⊙	○	⊙	⊙	⊙	⊙	○	○	⊙	⊙	△	⊙	⊙	⊙
Drain cock with barb fitting	-W	⊙	◻	◻	⊙	⊙	◻	◻	◻	◻	⊙	⊙	△	◻	◻	⊙
Name plate, caution plate for bowl, and pressure gauge in imperial units (PSI, °F)	-Z	△	△	△	△	△	△	△	△	△	△	△	△	△	△	△

# Series AWG20/30/40

## Standard Specifications

Model	AWG20	AWG30	AWG40
Port size	1/8, 1/4	1/4, 3/8	1/4, 3/8, 1/2
Fluid	Air		
Proof pressure	1.5 MPa		
Maximum operating pressure	1.0 MPa		
Regulating pressure range	0.05 to 0.85 MPa		
Relief pressure	Set pressure + 0.05 MPa (at relief flow rate of 0.1 $\ell$ /min (ANR))		
Ambient and fluid temperature	-5 to 60°C (With no freezing)		
Nominal filtration rating	5 $\mu$ m		
Drain capacity (cm <sup>3</sup> )	8	25	45
Bowl material	Polycarbonate		
Bowl guard	Optional	Standard	
Construction	Relieving type		
Weight (kg)	0.38	0.51	0.86

## Accessory Part No.

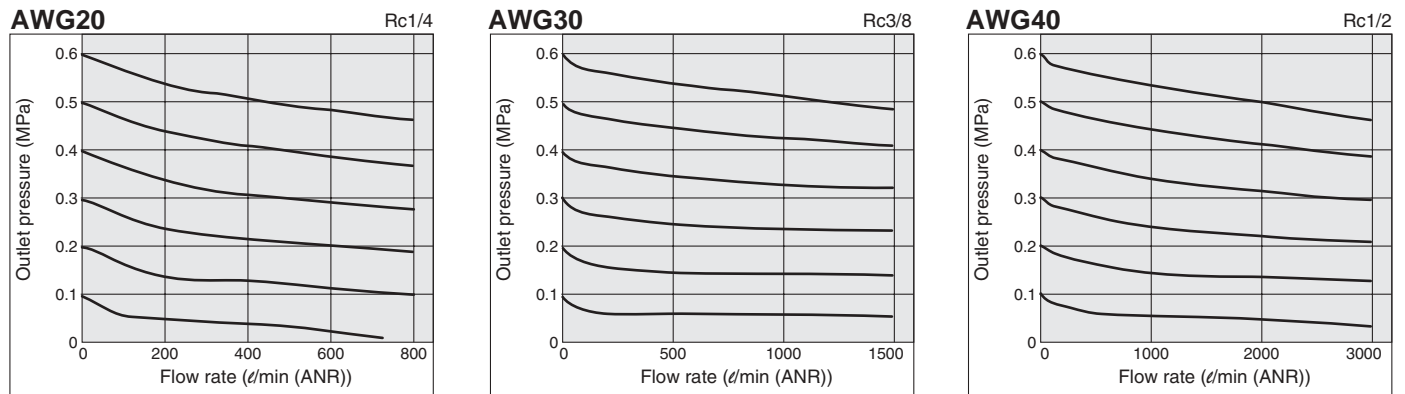
Applicable model				AWG20	AWG30	AWG40
Accessory						
Bracket assembly <sup>(1)</sup>				ARG20P-270AS	ARG30P-270AS	ARG40P-270AS
Set nut				ARG20P-260S	ARG30P-260S	ARG40P-260S
Pressure gauge	Pressure gauge display range	Standard	0 to 1.0 MPa	GB2-10AS	GB3-10AS	GB4-10AS
			0 to 0.3 MPa	GB2-3AS	GB3-3AS	GB4-3AS
		Optional	0 to 150 PSI	GB2-P10AS	GB3-P10AS	GB4-P10AS
			0 to 45 PSI	GB2-P3AS	GB3-P3AS	GB4-P3AS
Float type auto-drain <sup>(2)</sup>			Normally open	—	AD38	AD48
			Normally closed	AD27	AD37	AD47

Note 1) Assembly includes a bracket and set nuts.

Note 2) Minimum operating pressure: N.O. type—0.1 MPa; N.C. type—0.1 MPa (AD27) and 0.15 MPa (AD37/47). Contact SMC regarding the specifications for PSI unit and °F.

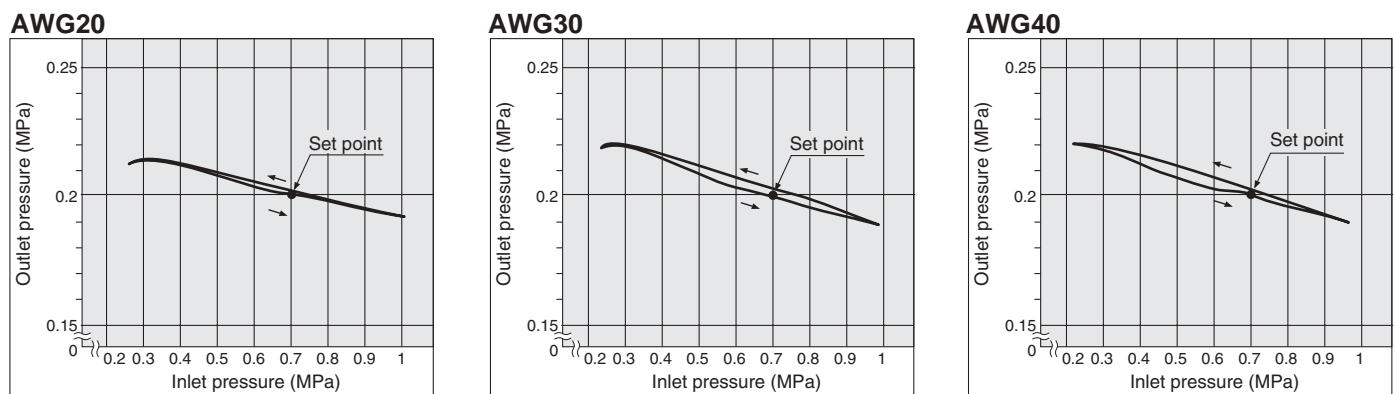
## Flow Characteristics (Representative values)

Condition: Inlet pressure 0.7 MPa



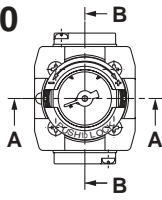
## Pressure Characteristics (Representative values)

Conditions: Inlet pressure 0.7 MPa, Outlet pressure 0.2 MPa, Flow rate 20  $\ell$ /min (ANR)

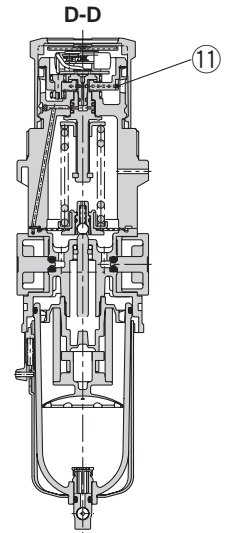
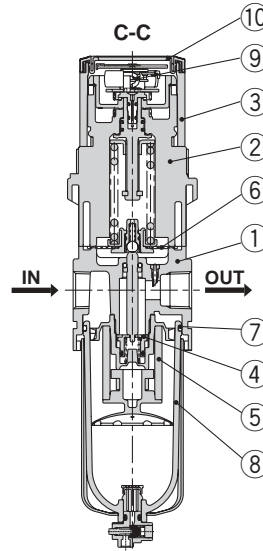
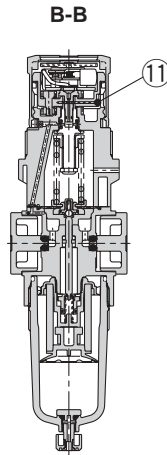
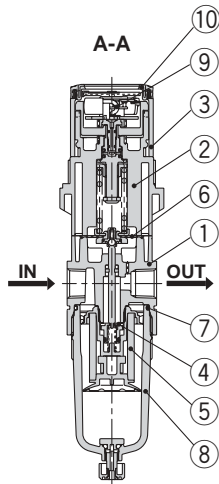
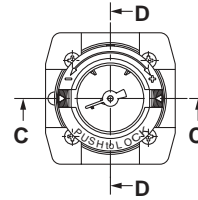


## Construction

**AWG20**



**AWG30/40**



### Component Parts

No.	Description	Material			Note
		AWG20	AWG30	AWG40	
1	Body	ZDC	ADC		Platinum silver
2	Bonnet		PBT		Black
3	Handle		POM		Black

### Replacement Parts

No.	Description	Material	Part no.		
			AWG20	AWG30	AWG40
4	Valve assembly	Brass, HNBR	AW20P-340AS	AW30P-340AS	AW40P-340AS
5	Filter element	Non-woven fabric	AF20P-060S	AF30P-060S	AF40P-060S
6	Diaphragm assembly	Weatherability NBR	AR20P-150AS	AR30P-150AS	AR40P-150AS
7	Bowl O-ring	NBR	C2SFP-260S	C3SFP-260S	C4SFP-260S
8	Bowl assembly <sup>(1)</sup>	PC	C2SF	C3SF <sup>(2)</sup>	C4SF <sup>(2)</sup>
9	Pressure gauge <sup>(3)</sup>	—	GB2-10AS	GB3-10AS	GB4-10AS
10	Pressure gauge cover	PC	ARG20P-400S	ARG30P-400S	ARG40P-400S
11	Clip	Stainless steel	ARG20P-420S	ARG30P-420S	ARG40P-420S

Note 1) Including O-ring. Contact SMC regarding the bowl assembly supply for PSI and °F unit specifications.

Note 2) Bowl assembly includes a bowl guard (steel band material).

Note 3) Only the standard part numbers are listed in the pressure gauges. For the optional part numbers, refer to page 32.

## ⚠ Specific Product Precautions

Be sure to read before handling. Refer to back pages 1 through to 5 for Safety Instructions and Precautions.

### Selection

#### ⚠ Warning

- Residual pressure release (outlet pressure release) is not completed by releasing inlet pressure. To release residual pressure, use a filter regulator with a back flow mechanism.

### Maintenance

#### ⚠ Warning

- Replace the element every 2 years or when the pressure drop becomes 0.1 MPa, whichever comes first, to prevent damage to the element.

### Mounting and Adjustment

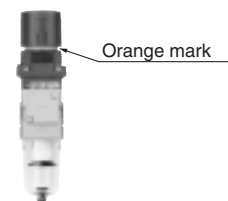
#### ⚠ Warning

- Set the regulator while checking the displayed values of the inlet and outlet pressure gauges. Turning the handle excessively can cause damage to the internal parts.
- Do not use tools on the pressure regulator handle as this may cause damage. It must be operated manually.

#### ⚠ Caution

- Be sure to unlock the handle before adjusting the pressure and lock it after setting the pressure. Failure to follow this procedure can cause damage to the handle and the outlet pressure may fluctuate.

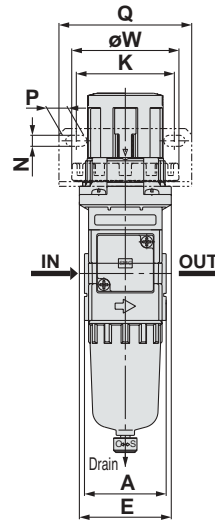
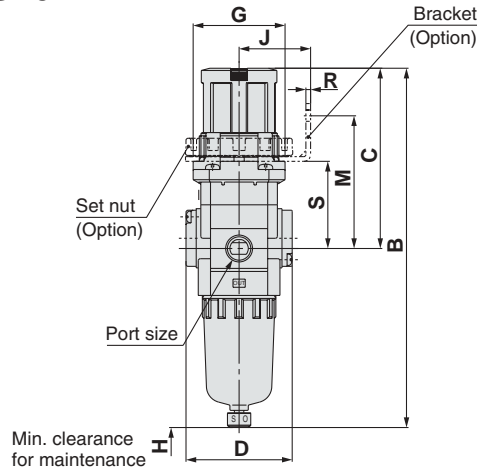
- Pull the pressure regulator handle to unlock. (You can visually verify this with the "orange mark" that appears in the gap.)
- Push the pressure regulator handle to lock. When the handle is not easily locked, turn it left and right a little and then push it (when the handle is locked, the "orange mark" will disappear).



# Series AWG20/30/40

## Dimensions

### AWG20



#### Panel fitting dimension

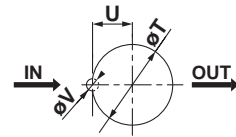
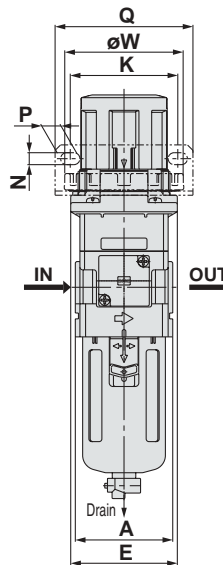
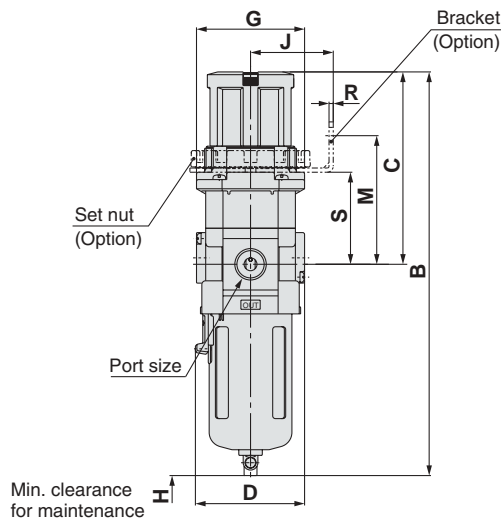


Plate thickness  
AWG20: Max. 3.5

### AWG30/40



#### Panel fitting dimension

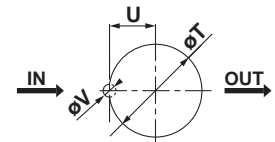


Plate thickness  
AWG30/40: Max. 3.5

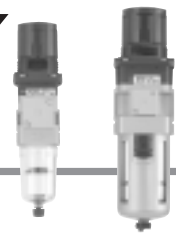
Applicable model	AWG20			AWG30/40				
	With auto-drain (N.C.)	Metal bowl	With drain guide	With auto-drain (N.O./N.C.)	Metal bowl	Metal bowl with level gauge	With drain guide	Drain cock with barb fitting
Dimensions								
	M5		1/8 Width across flats 17	N.O.: Black N.C.: Gray ø10 One-touch fitting			1/4 Width across flats 17	Barb fitting Applicable tubing: T0604

Model	Port size	Standard specifications							Accessory specifications						
		A	B	C	D	E	G	H	Bracket mount						
		J	K	M	N	P	Q	R							
AWG20	1/8, 1/4	40	179	91	52	45	47	40	35	48	65	5.4	10.4	65	2.3
AWG30	1/4, 3/8	53	223.5	108.5	59	58	59	55	45	58.5	70	6.5	10.5	75	2.3
AWG40	1/4, 3/8, 1/2	70	261.5	114.5	75	70	70	80	50	70	77	8.5	12.5	85	2.3

Model	Accessory specifications					Optional specifications				
	Panel mount					With auto-drain	With barb fitting	With drain guide	Metal bowl	Metal bowl with level gauge
	S	T	U	V	W	B	B	B	B	B
AWG20	43	39.5	19.5	6	52.5	196	—	183	179	—
AWG30	50	50.5	25	7	65	264	231.5	230.5	236.5	256.5
AWG40	56	55.5	27.5	7	70	300	269.5	268.5	274.5	294.5

# Filter Regulator with Built-in Pressure Gauge with Back Flow Mechanism

## Series **AWG20K/30K/40K**



### How to Order

**AWG 30 K** — **03** — **G1** —

#### Body size

Symbol	Port size
20	1/8
30	3/8
40	1/2

#### With back flow mechanism

Note 1) If the set pressure is not exceeding 0.15 MPa, back flow may not occur. Contact SMC when a back flow mechanism is required with a set pressure of less than 0.15 MPa.

#### Thread type

Symbol	Type
- (2)	Rc
N (3)	NPT
F (4)	G

Note 2) Drain guide is Rc1/8 for AWG20K and Rc1/4 for AWG30K and 40K.

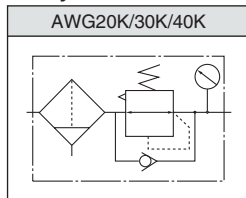
Note 3) Drain guide is NPT1/8 for AWG20K and NPT1/4 for AWG30K and 40K. Auto-drain port is provided with  $\phi 3.8$ " One-touch fitting (applicable to AWG30K and 40K).

Note 4) Drain guide is G1/8 for AWG20K and G1/4 for AC30K and 40K.

#### Port size

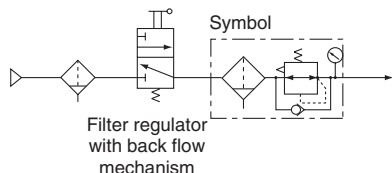
Symbol	Port size	Body size		
		20	30	40
01	1/8	●	—	—
02	1/4	●	●	●
03	3/8	—	●	●
04	1/2	—	—	●

#### JIS Symbol



#### Application example of a filter regulator with a back flow mechanism

When the air supply is cut off and releasing the inlet pressure to the atmosphere, the residual pressure release of the outlet side can be ensured for a safety purpose.



#### Option

Symbol	Description	Applicable model
-	—	—
1 (5)	0.02 to 0.2 MPa setting	AWG20K to 40K
2	Metal bowl	AWG20K to 40K
6	Nylon bowl	AWG20K to 40K
8	Metal bowl with level gauge	AWG30K, 40K
C	With bowl guard	AWG20K
J (6)	With drain guide	AWG20K to 40K
N	Non-relieving	AWG20K to 40K
W	Drain cock with barb fitting: $\phi 6 \times \phi 4$ nylon tubing	AWG30K, 40K
Z (7)	Name plate, caution plate for bowl, and pressure gauge in imperial units (PSI, °F)	AWG20K to 40K

\* When more than one specification is required, indicate in ascending alphanumeric order.

Note 5) Adjusting spring and pressure gauge (full-span 0.3 MPa) are different from those for the standard specification.

Outlet pressure may still be increased from 0.2 MPa or more.

Note 6) Without a valve function.

Note 7) For thread type NPT.

This product is for overseas use only according to the new Measurement Law. (The SI unit type is provided for use in Japan.)

#### Accessory (2)

Symbol	Description	Applicable model
-	—	—
H	With set nut	AWG20K to 40K

#### Accessory (1)

Symbol	Description	Applicable model
-	—	—
B	With bracket (With nuts)	AWG20K to 40K
C	Float type auto-drain (Normally closed)	AWG20K to 40K
D	Float type auto-drain (Normally open)	AWG30K, 40K

When more than one specification is required, indicate in ascending alphabetical order.

#### Mounting Angle of Pressure Gauge

Symbol	G1	G2	G3	G4
Mounting angle	0°	90°	180°	270°
Mounting angle view				

\* Possible to change to the optional mounting angles.

For details, refer to back page 6, "Procedure for replacing or changing the mounting angle of a pressure gauge".

#### Accessory/Optional Combinations

⊙: Combination available  
○: Varies depending on a model  
■: Combination not available  
△: Available only with NPT thread

Accessory/Optional specifications	Combination Symbol	Accessory											Option		Applicable filter regulator	
		B	C	D	H	1	2	6	8	C	J	N	W	Z	AWG20K	AWG30K/40K
Accessory	With bracket	■	⊙	○	■	⊙	⊙	⊙	○	⊙	⊙	○	○	△	⊙	⊙
	Float type auto-drain (N.C.)	○	■	○	○	⊙	⊙	⊙	○	○	○	○	○	△	⊙	⊙
	Float type auto-drain (N.O.)	○	○	○	○	⊙	⊙	⊙	○	○	○	○	○	△	⊙	⊙
	With set nut	■	○	○	○	○	○	○	○	○	○	○	○	○	○	○
Option	0.02 to 0.2 MPa setting	-1	⊙	○	○	○	○	○	○	○	○	○	○	△	⊙	⊙
	Metal bowl	-2	⊙	○	○	○	○	○	○	○	○	○	○	△	⊙	⊙
	Nylon bowl	-6	⊙	○	○	○	○	○	○	○	○	○	○	△	⊙	⊙
	Metal bowl with level gauge	-8	⊙	○	○	○	○	○	○	○	○	○	○	△	⊙	⊙
	With bowl guard	-C	⊙	○	○	○	○	○	○	○	○	○	○	△	⊙	⊙
	Drain guide 1/4	-J	○	○	○	○	○	○	○	○	○	○	○	△	⊙	⊙
	Non-relieving type	-N	○	○	○	○	○	○	○	○	○	○	○	△	⊙	⊙
	Drain cock with barb fitting	-W	○	○	○	○	○	○	○	○	○	○	○	△	⊙	⊙
Name plate, caution plate for bowl, and pressure gauge in imperial units (PSI, °F)	-Z	△	△	△	△	△	△	△	△	△	△	△	△	△	△	

# Series AWG20K/30K/40K

## Standard Specifications

Model	AWG20K	AWG30K	AWG40K
Port sizes	1/8, 1/4	1/4, 3/8	1/4, 3/8, 1/2
Fluid	Air		
Proof pressure	1.5 MPa		
Maximum operating pressure	1.0 MPa		
Regulating pressure range <sup>(1)</sup>	0.05 to 0.85 MPa		
Relief pressure	Set pressure + 0.05 MPa (at relief flow rate of 0.1 ℓ/min (ANR))		
Ambient and fluid temperature	-5 to 60°C (With no freezing)		
Nominal filtration rating	5 μm		
Drain capacity (cm <sup>3</sup> )	8	25	45
Bowl material	Polycarbonate		
Bowl guard	Optional	Standard	
Construction	Relieving type		
Weight (kg)	0.38	0.51	0.86

Note 1) Set the inlet pressure so it should be 0.05 MPa or higher than the set pressure.

## Accessory Part No.

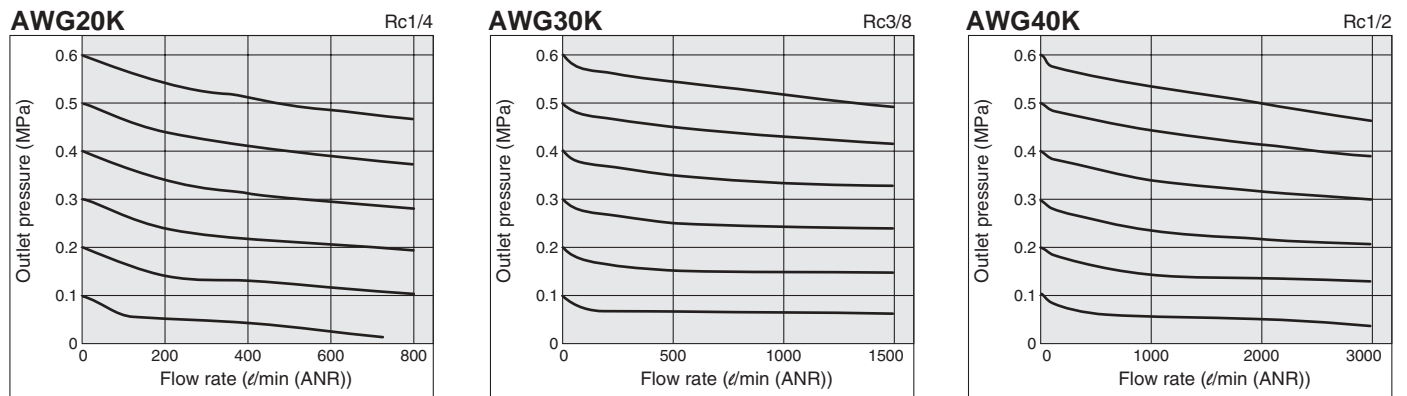
Accessory		Applicable model	AWG20K	AWG30K	AWG40K	
Bracket assembly <sup>(1)</sup>			ARG20P-270AS	ARG30P-270AS	ARG40P-270AS	
Set nut			ARG20P-260S	ARG30P-260S	ARG40P-260S	
Pressure gauge	Pressure gauge display range	Standard	0 to 1.0 MPa	GB2-10AS	GB3-10AS	GB4-10AS
			0 to 0.3 MPa	GB2-3AS	GB3-3AS	GB4-3AS
		Optional	0 to 150 PSI	GB2-P10AS	GB3-P10AS	GB4-P10AS
			0 to 45 PSI	GB2-P3AS	GB3-P3AS	GB4-P3AS
Float type auto-drain <sup>(2)</sup>		Normally open	—	AD38	AD48	
		Normally closed	AD27	AD37	AD47	

Note 1) Assembly includes a bracket and set nuts.

Note 2) Minimum operating pressure: N.O. type-0.1 MPa; N.C. type-0.1 MPa (AD27) and 0.15 MPa (AD37/47). Contact SMC regarding the specifications for PSI unit and °F.

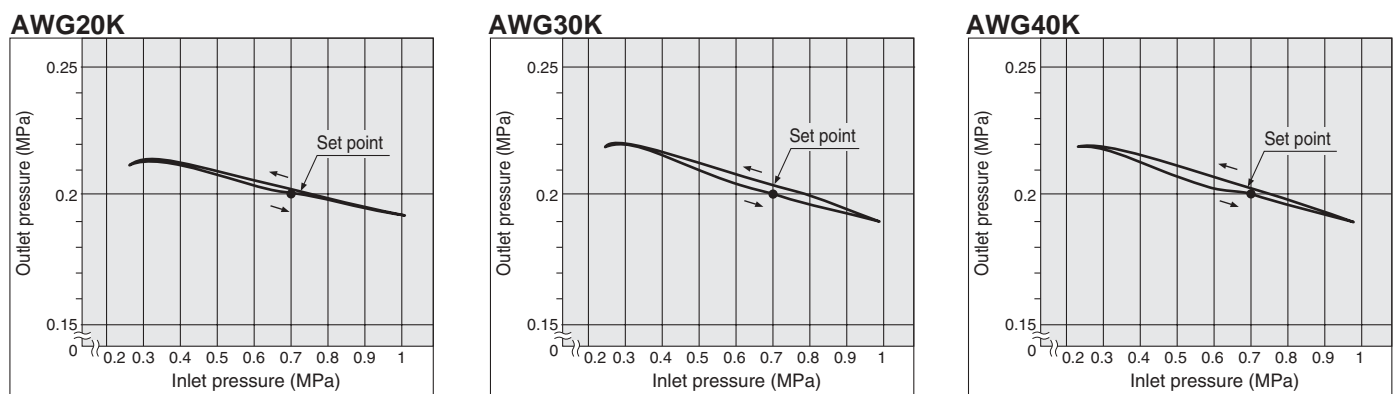
## Flow Characteristics (Representative values)

Condition: Inlet pressure 0.7 MPa



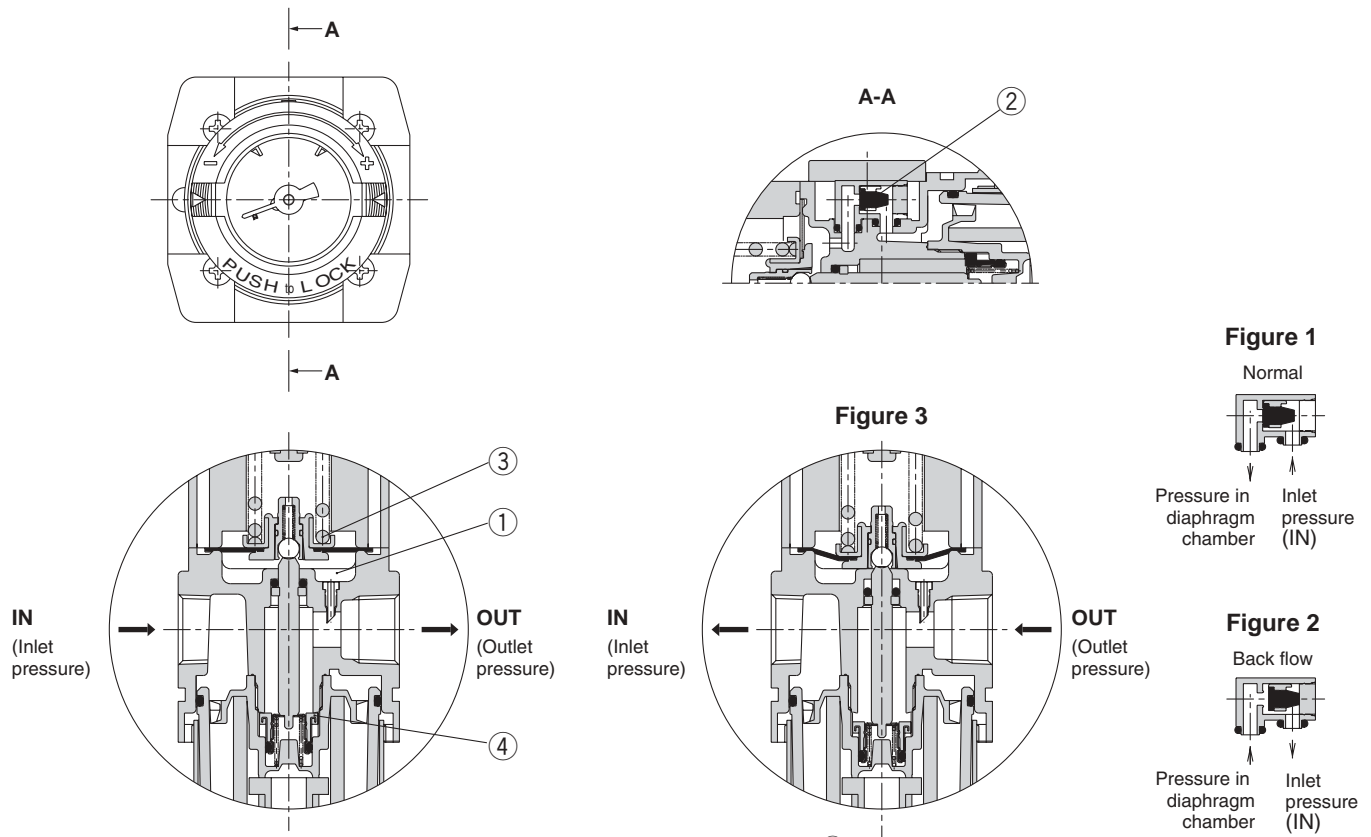
## Pressure Characteristics (Representative values)

Conditions: Inlet pressure 0.7 MPa, Outlet pressure 0.2 MPa, Flow rate 20 ℓ/min (ANR)





## Working Principle



When the inlet pressure (P1) is higher than the regulating pressure, the check valve ② closes and operates as a normal regulator (Figure 1).  
 When the inlet pressure (P1) is shut off and released, the check valve ② opens and the pressure in the diaphragm chamber ① is released into the inlet side (Figure 2).  
 This lowers the pressure in the diaphragm chamber ① and the force generated by the pressure regulator spring ③ lifts the diaphragm. Valve ④ opens through the stem, and the outlet pressure is released to the inlet side (Figure 3).

## ⚠ Specific Product Precautions

Be sure to read before handling. Refer to back pages 1 through to 5 for Safety Instructions and Precautions.

### Maintenance

#### ⚠ Warning

1. Replace the element every 2 years or when the pressure drop becomes 0.1 MPa, whichever comes first, to prevent damage to the element.

### Mounting and Adjustment

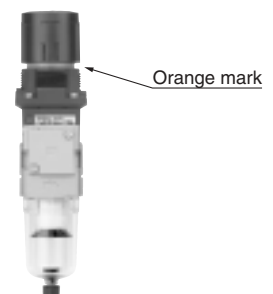
#### ⚠ Warning

1. Set the regulator while checking the displayed values of the inlet and outlet pressure gauges. Turning the handle excessively can cause damage to the internal parts.
2. Do not use tools on the pressure regulator handle as this may cause damage. It must be operated manually.

- Push the pressure regulator handle to lock. When the handle is not easily locked, turn it left and right a little and then push it (when the handle is locked, the "orange mark" will disappear).

#### ⚠ Caution

1. Be sure to unlock the handle before adjusting the pressure and lock it after setting the pressure. Failure to follow this procedure can cause damage to the handle and the outlet pressure may fluctuate.
  - Pull the pressure regulator handle to unlock. (You can visually verify this with the "orange mark" that appears in the gap.)

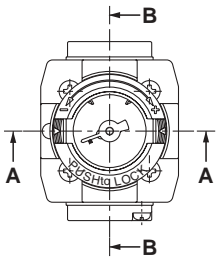




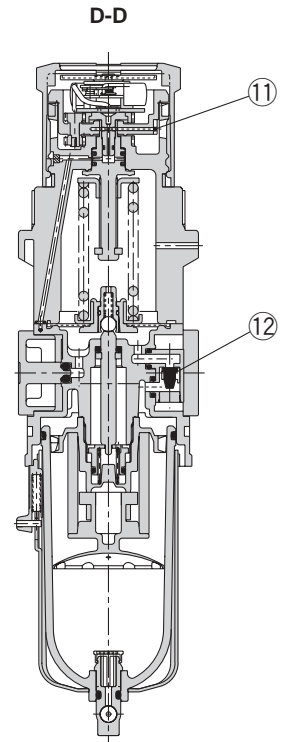
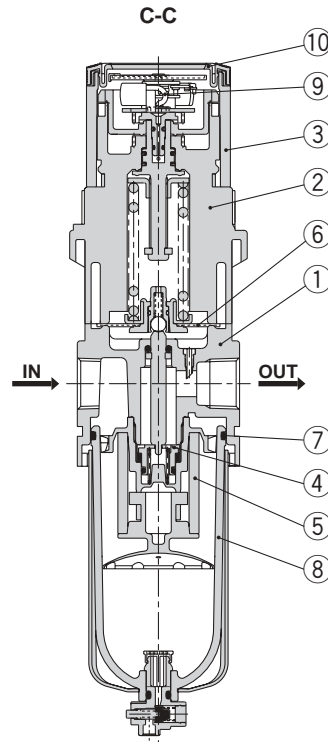
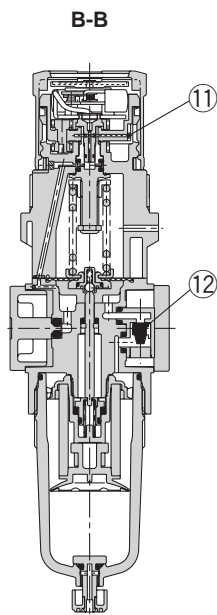
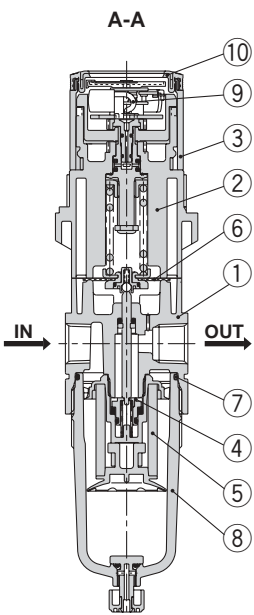
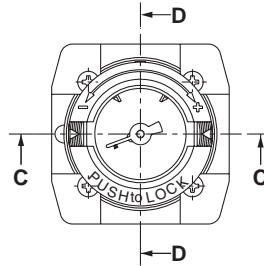
# Series AWG20K/30K/40K

## Construction

### AWG20K



### AWG30K/40K



## Component Parts

No.	Description	Material			Note
		AWG20K	AWG30K	AWG40K	
1	Body	ZDC	ADC		Platinum silver
2	Bonnet	PBT			Black
3	Handle	POM			Black

## Replacement Parts

No.	Description	Material	Part no.		
			AWG20K	AWG30K	AWG40K
4	Valve assembly	Brass, HNBR	AW20P-340AS	AW30P-340AS	AW40P-340AS
5	Filter element	Non-woven fabric	AF20P-060S	AF30P-060S	AF40P-060S
6	Diaphragm assembly	Weatherability NBR	AR20P-150AS	AR30P-150AS	AR40P-150AS
7	Bowl O-ring	NBR	C2SFP-260S	C3SFP-260S	C4SFP-260S
8	Bowl assembly <sup>(1)</sup>	PC	C2SF	C3SF <sup>(2)</sup>	C4SF <sup>(2)</sup>
9	Pressure gauge <sup>(3)</sup>	—	GB2-10AS	GB3-10AS	GB4-10AS
10	Pressure gauge cover	PC	ARG20P-400S	ARG30P-400S	ARG40P-400S
11	Clip	Stainless steel	ARG20P-420S	ARG30P-420S	ARG40P-420S
12	Check valve assembly	—	AR20KP-020AS		

Note 1) Including O-ring. Contact SMC regarding the bowl assembly supply for PSI and °F unit specifications.

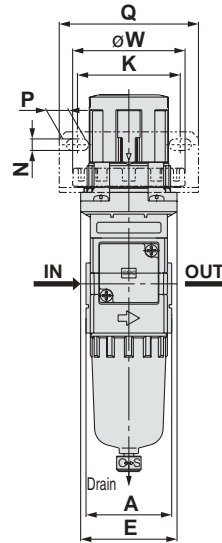
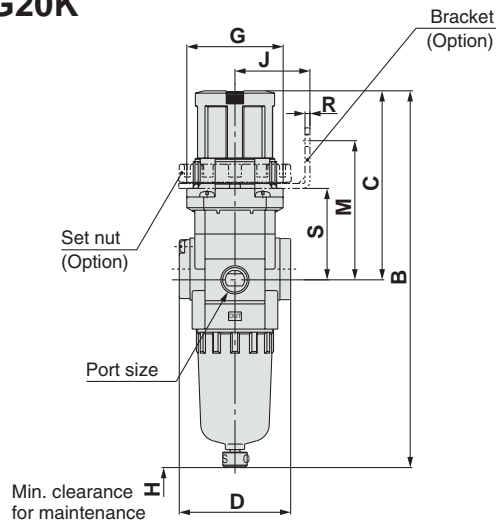
Note 2) Bowl assembly (AWG30K/40K) includes a bowl guard (steel band material).

Note 3) Only the standard part numbers are listed for the pressure gauges. For the optional part numbers, refer to page 36.

# Filter Regulator with Built-in Pressure Gauge with Back Flow Mechanism *Series AWG20K/30K/40K*

## Dimensions

### AWG20K



#### Panel fitting dimension

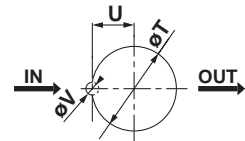
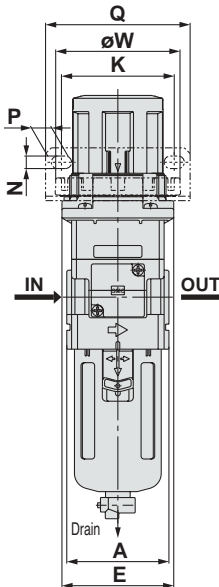
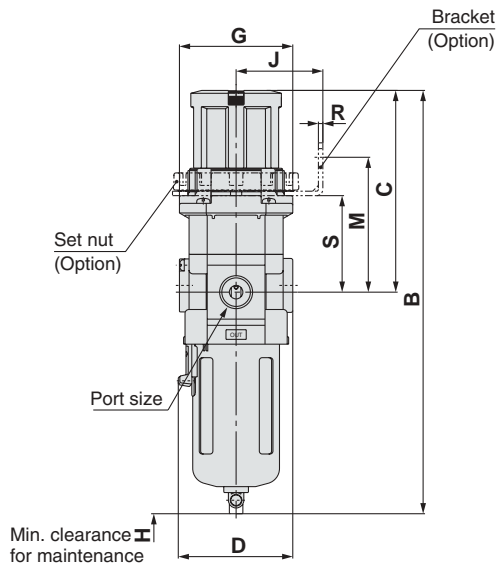


Plate thickness  
AWG20K: Max. 3.5

### AWG30K/40K



#### Panel fitting dimension

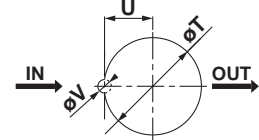


Plate thickness  
AWG30K/40K: Max. 3.5

Applicable model Accessory/Optional specifications	AWG20K			AWG30K/40K				
	With auto-drain (N.C.)	Metal bowl	With drain guide	With auto-drain (N.O./N.C.)	Metal bowl	Metal bowl with level gauge	With drain guide	Drain cock with barb fitting
Dimensions								

Model	Port size	Standard specifications							Accessory specifications						
		A	B	C	D	E	G	H	Bracket mount						
									J	K	M	N	P	Q	R
AWG20K	1/8, 1/4	40	179	91	52	45	47	40	35	48	65	5.4	10.4	65	2.3
AWG30K	1/4, 3/8	53	223.5	108.5	59	58	59	55	45	58.5	70	6.5	10.5	75	2.3
AWG40K	1/4, 3/8, 1/2	70	261.5	114.5	75	70	70	80	50	70	77	8.5	12.5	85	2.3

Model	Accessory specifications					Optional specifications				
	Panel mount					With auto-drain	With barb fitting	With drain guide	Metal bowl	Metal bowl with level gauge
	S	T	U	V	W	B	B	B	B	B
AWG20K	43	39.5	19.5	6	52.5	196	—	183	179	—
AWG30K	50	50.5	25	7	65	264	231.5	230.5	256.5	276.5
AWG40K	56	55.5	27.5	7	70	300	269.5	268.5	274.5	294.5